

PART NAME: KNOB

SCALE: 1:1

DATE: 3/16/94

DR. BY HD



DESIGNERS & MANUFACTURERS OF KNOBS, HANDLES, CASES & CUSTOM PLASTIC COMPONENTS

P/N 2837

THIS DRAWING IS THE PROPERTY OF DAVIES MOLDING COMPANY. IS SUBMITTED SOLELY AS A DESIGN OR ENGINEERING PROJECT. WE ACCEPT NO RESPONSIBILITY WHATSOEVER FOR THE PRACTICAL APPLICATION OF THE PIECES MADE TO THIS DESIGN.

DO NOT SCALE DRAWING

M^{NO.} 73

CAVITY 2837

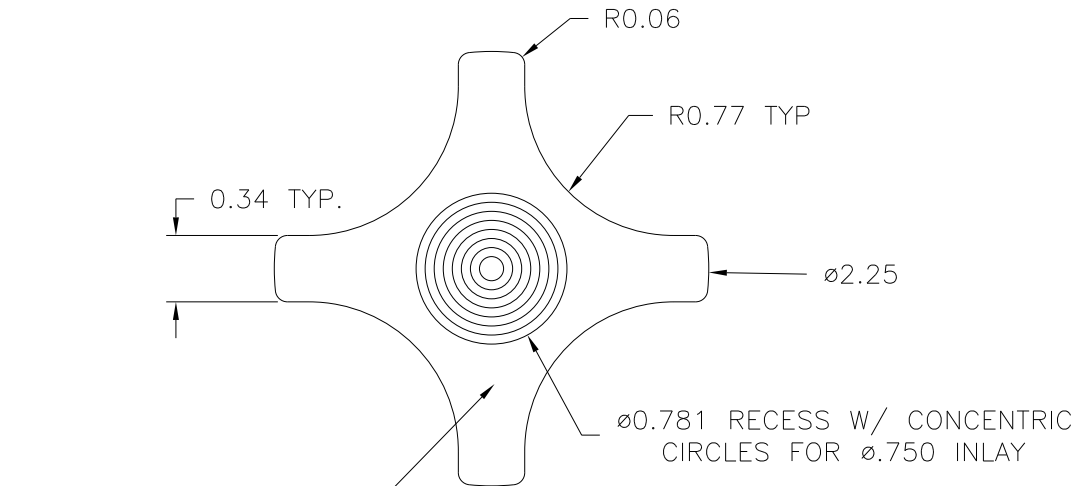
CAVITY PLUG 2837

CORE 2837

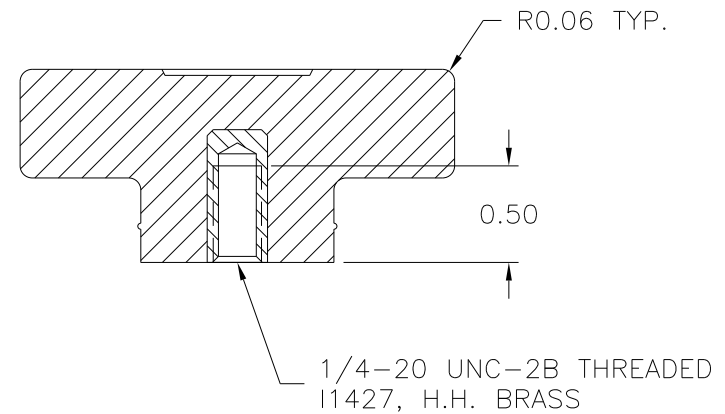
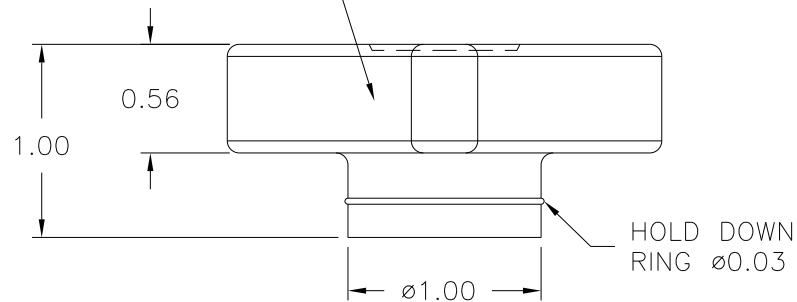
SLEEVE M-2837

PIN 2837

INSERT I1427



TEXTURED OUTSIDE SURFACES (UT-1090)



MATERIAL: 20% TALC-FILLED POLYPROPYLENE (BC9) [Ⓐ]
COLOR: BLACK

TOLERANCES: UNLESS OTHERWISE SPECIFIED	DO NOT SCALE DRAWING	A	ADDED MAT. CODE	DS	1/29/07
DECIMALS: X.XXX ± .005 X.XX ± .015	MM: X.XX ± 0.15MM X.X ± 0.4MM	-	WAS POLYPROPYLENE	JAM	3/24/00
FRACTIONS ± 1/64	ANG. ± 1°	-	REDRAWN	TL	11/22/99
CHANGES					