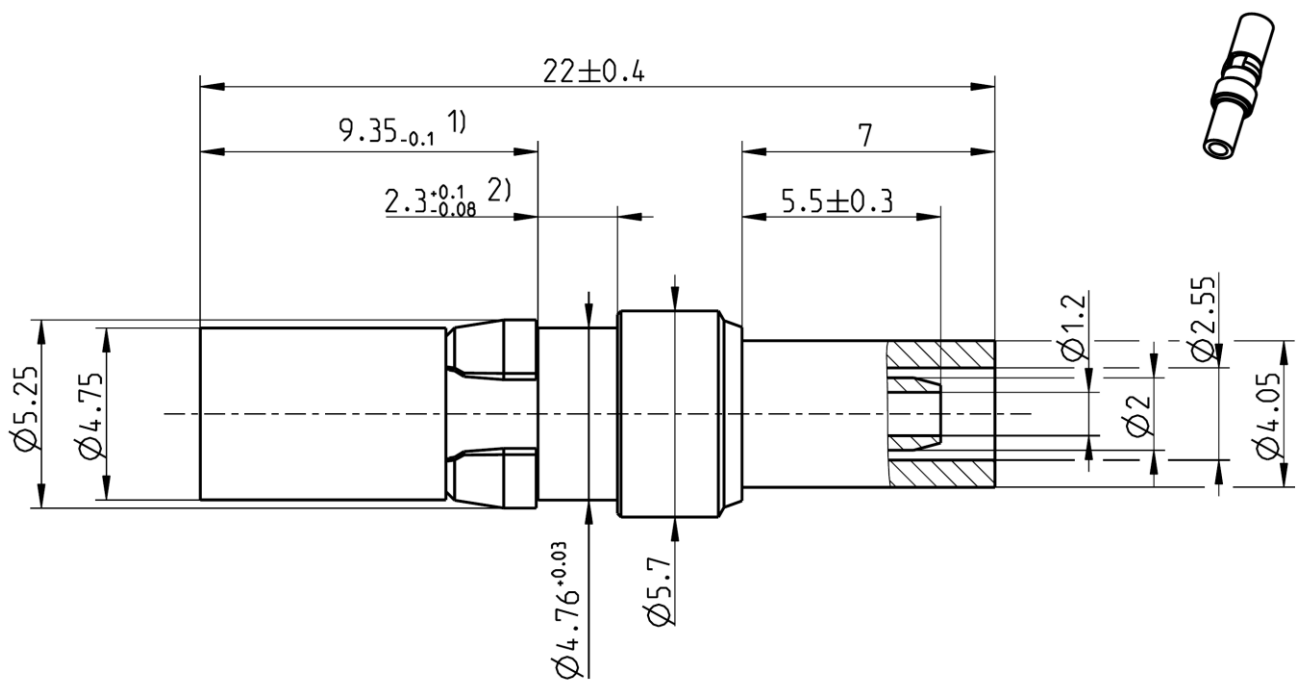


Insert Coax  
1.0-2.3  
DIN 41626

Straight Plug

**45S105-101L5**



- 1) Measured when retaining clip is fully pushed towards contact area.
- 2) The border dimension includes the necessary axial misalignment of the retaining clip.

All dimensions are in mm; tolerances according to ISO 2768 m-H

**Interface**

According to DIN 41626-T2, BS 9525 F0011

**Documents**

Assembly instruction 45 A1

**Material and plating**

**Connector parts**

	<b>Material</b>	<b>Plating</b>
Center contact	CuBe	AuroDur®, gold plated
Outer contact	CuBe	AuroDur®, gold plated
Body	Brass	Gold, 0.1 µm min.
Clip	CuBe	Nickel, 2.5-5 µm
Dielectric	PTFE	
Crimping ferrule	Copper	Gold, 0.1 µm min.

# Technical Data Sheet

# Rosenberger

Insert Coax  
1.0-2.3  
DIN 41626

Straight Plug

## 45S105-101L5

### Electrical data

Impedance	50 $\Omega$
Frequency	DC to 2 GHz
Return loss	$\geq 24$ dB, DC to 0.5 GHz $\geq 21$ dB, 0.5 to 1 GHz $\geq 17$ dB, 1 to 2 GHz
Insertion loss	$\leq 0.1 \times \sqrt{f(\text{GHz})}$ dB
Insulation resistance	$\geq 200$ M $\Omega$
Center contact resistance	$\leq 10$ m $\Omega$
Outer contact resistance	$\leq 3$ m $\Omega$
Test voltage	750 V rms
Working voltage	250 V rms
RF-leakage	$\geq 80$ dB up to 0.5 GHz $\geq 65$ dB up to 1.5 GHz

- Limitations are possible due to the used cable type -

### Mechanical data

Mating cycles	$\geq 500$
Center contact captivation	$\geq 10$ N
Connector captivation in plastic	$\geq 52$ N
Engaging and disengaging force	$\leq 10$ N

### Environmental data

Temperature range	-55°C to +125°C
Climatic class	IEC 60068-2-1 55/125/21 IEC 60068-2-2 IEC 60068-2-3
RoHS	compliant

### Tooling

Crimping tool	11W150-000
Crimp insert	11W150-402

### Suitable cables

RG 196 A/U, RG 178 B/U

### Weight

Weight	1.7 g/pce
--------	-----------

While the information has been carefully compiled to the best of our knowledge, nothing is intended as representation or warranty on our part and no statement herein shall be construed as recommendation to infringe existing patents. In the effort to improve our products, we reserve the right to make changes judged to be necessary.

For the installation of the electrotechnical equipment, particular electrotechnical expertise is required.



Draft	Date	Approved	Date	Rev.	Engineering change number	Name	Date
Gramsamer Josef	05.09.07	Chr. Janßen	01.12.20	c00	20-1927	S. Huber-Siegl	01.12.20
Rosenberger Hochfrequenztechnik GmbH & Co. KG P.O.Box 1260 D-84526 Tittmoning Germany <a href="http://www.rosenberger.com/">http://www.rosenberger.com/</a>				Tel. : +49 8684 18-0 Email : <a href="mailto:info@rosenberger.com">info@rosenberger.com</a>			Page 2 / 2