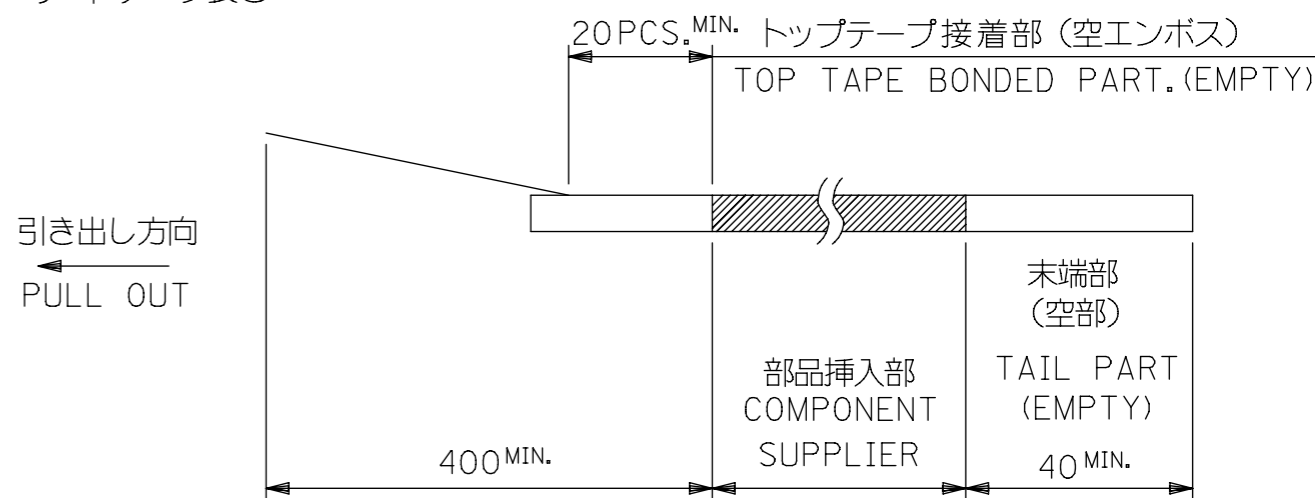


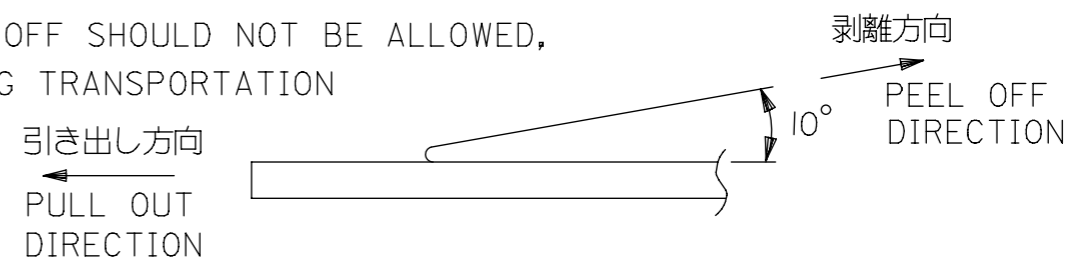
注記 NOTES

- 製品番号 52559-\*\*-19 の梱包状態はアクチュエータがロックした状態とする。  
IN THE PACKAGE, ACTUATOR OF PART NO.52559-\*\*-19 SHOULD BE LOCKED
- 梱包数量：1000個/リール  
NUMBER OF CONNECTORS:1000PCS/REEL
- リードテープ長さ LEAD TAPE LENGTH



- トップテープの剥離強度：(剥離方向は下図参照)  
0.1~1.3N {10gf~130gf} 尚、本規格値は、出荷時に適用。  
(但し、輸送時に剥離が発生しない事。)

PEELING OFF FORCE OF TOP TAPE  
0.1~1.3N(10gf~130gf)(PEELING DIRECTION AS SHOWN IN FOLLOWING FIG.)  
THIS REQUIREMENT SHOULD BE APPLIED AT SHIPMENT  
PEEL OFF SHOULD NOT BE ALLOWED,  
DURING TRANSPORTATION



- 材料  
キャリアテープ：ポリプロピレン (PP)  
トップテープ：PET, PE, PEF  
リール：ポリスチレン (PS) <リサイクル材を含む>

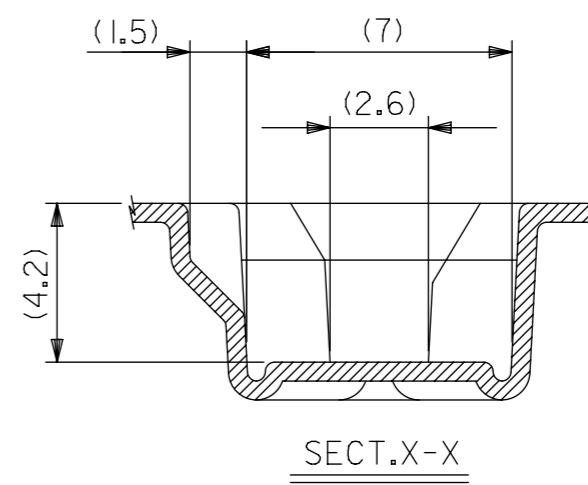
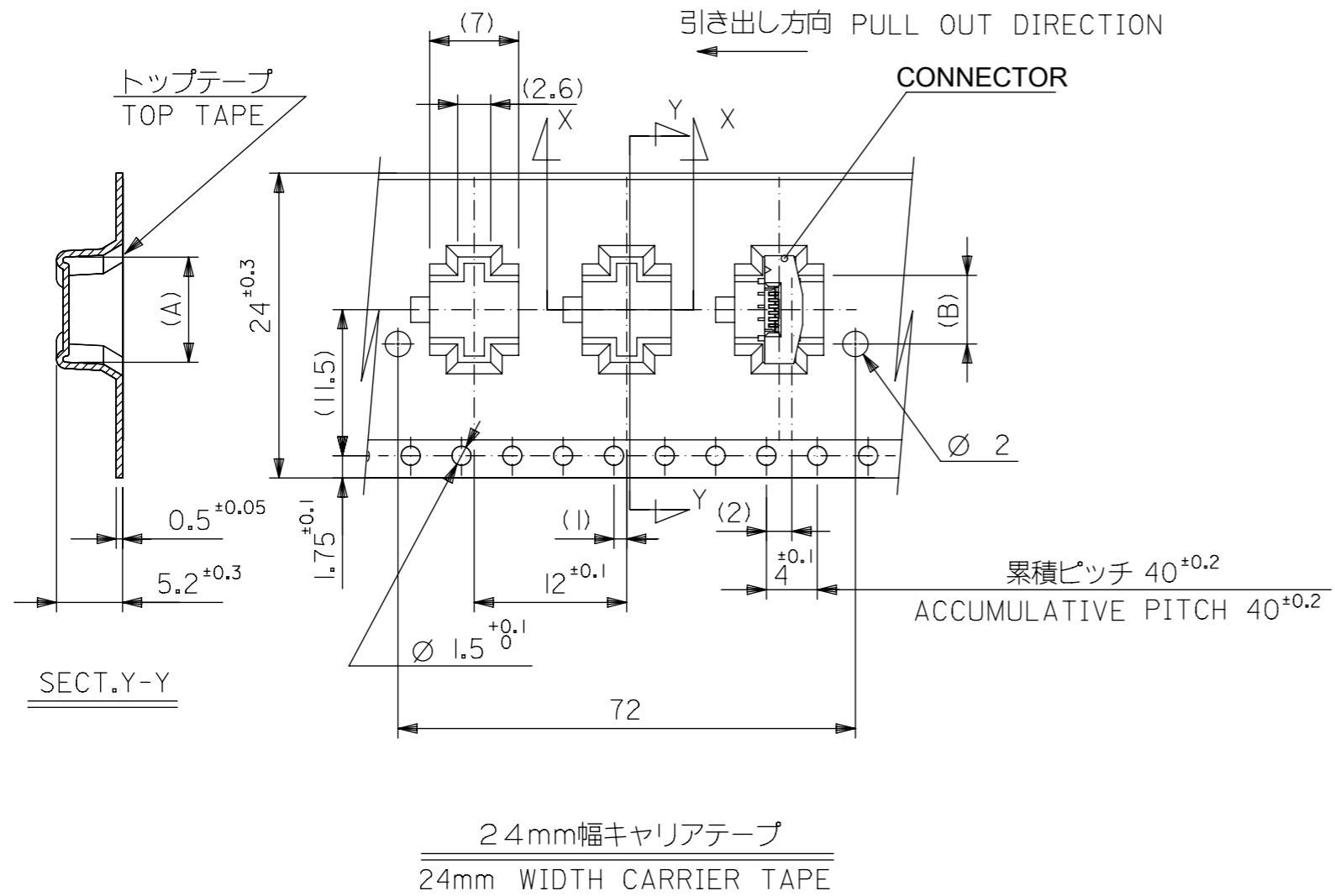
MATERIAL CARRIER TAPE:POLYPROPYLENE  
TOP TAPE:PET,PE,PEF  
REEL:POLYSTYREN(PS)  
<RECYCLE MATERIAL CONTAINED>

- 本製品は 52559-\*\*-92の鉛フリー品である。  
THIS PRODUCT IS LEAD FREE OF 52559-\*\*-92

- 本製品は乾燥剤入り、ハイバリア梱包仕様である。  
THIS PRODUCT IS HIGH BARRIER PACKAGE WITH DESICCANT.

|   |       |                                       |  |  |  |
|---|-------|---------------------------------------|--|--|--|
| THIS DRAWING CONTAINS INFORMATION THAT IS PROPRIETARY TO MOLEX ELECTRONIC TECHNOLOGIES, LLC AND SHOULD NOT BE USED WITHOUT WRITTEN PERMISSION |       | CURRENT REV DESC:                     |  | <b>molex</b>   |  |
| DIMENSION UNITS   | SCALE |                                       |  |  |  |
| mm  | NTS   |                                       |  | 0.5 FPC CONN ASSY ZIF<br>SMT ST EMBSTP PKG -LEAD FREE- |  |
| GENERAL TOLERANCES (UNLESS SPECIFIED)   |       | GENERAL TOLERANCES (UNLESS SPECIFIED) |  | PRODUCT CUSTOMER DRAWING                               |  |
| ANGULAR TOL ± °   |       | ANGULAR TOL ± °                       |  | DOCUMENT NUMBER  |  |
| 4 PLACES ±  |       | 4 PLACES ±                            |  | SD-52559-028   |  |
| 3 PLACES ±  |       | 3 PLACES ±                            |  | DOC TYPE   |  |
| 2 PLACES ±  |       | 2 PLACES ±                            |  | PSD  |  |
| 1 PLACE ±   |       | 1 PLACE ±                             |  | DOC PART   |  |
| 0 PLACES ±  |       | 0 PLACES ±                            |  | 001  |  |
| DRAFT WHERE APPLICABLE MUST REMAIN WITHIN DIMENSIONS  |       | THIRD ANGLE PROJECTION                |  | REVISION   |  |
|   |       | DRAWING                               |  | D  |  |
|   |       | SERIES                                |  |  |  |
|   |       | 52559                                 |  |  |  |
|   |       | MATERIAL NUMBER                       |  |  |  |
|   |       | SEE TABLE                             |  |  |  |
|   |       | CUSTOMER                              |  |  |  |
|   |       | GENERAL MARKET                        |  |  |  |
|   |       | SHEET NUMBER                          |  |  |  |
|   |       | 1 OF 6                                |  |  |  |

|  |       |
|--|-------|
| GENERAL TOLERANCES (UNLESS SPECIFIED)  |       |
| 10 <sup>UNDER</sup>                    | ±0.2  |
| 10 <sup>OVER</sup> 30 <sup>UNDER</sup> | ±0.25 |
| 30 <sup>OVER</sup>                     | ±0.3  |
| ANGULAR                                | ±3°   |

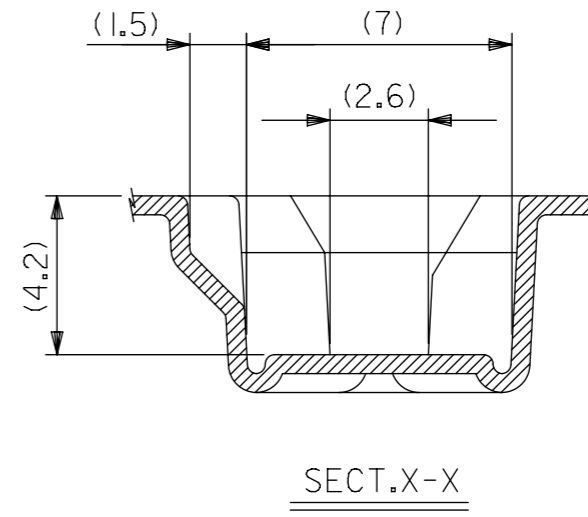
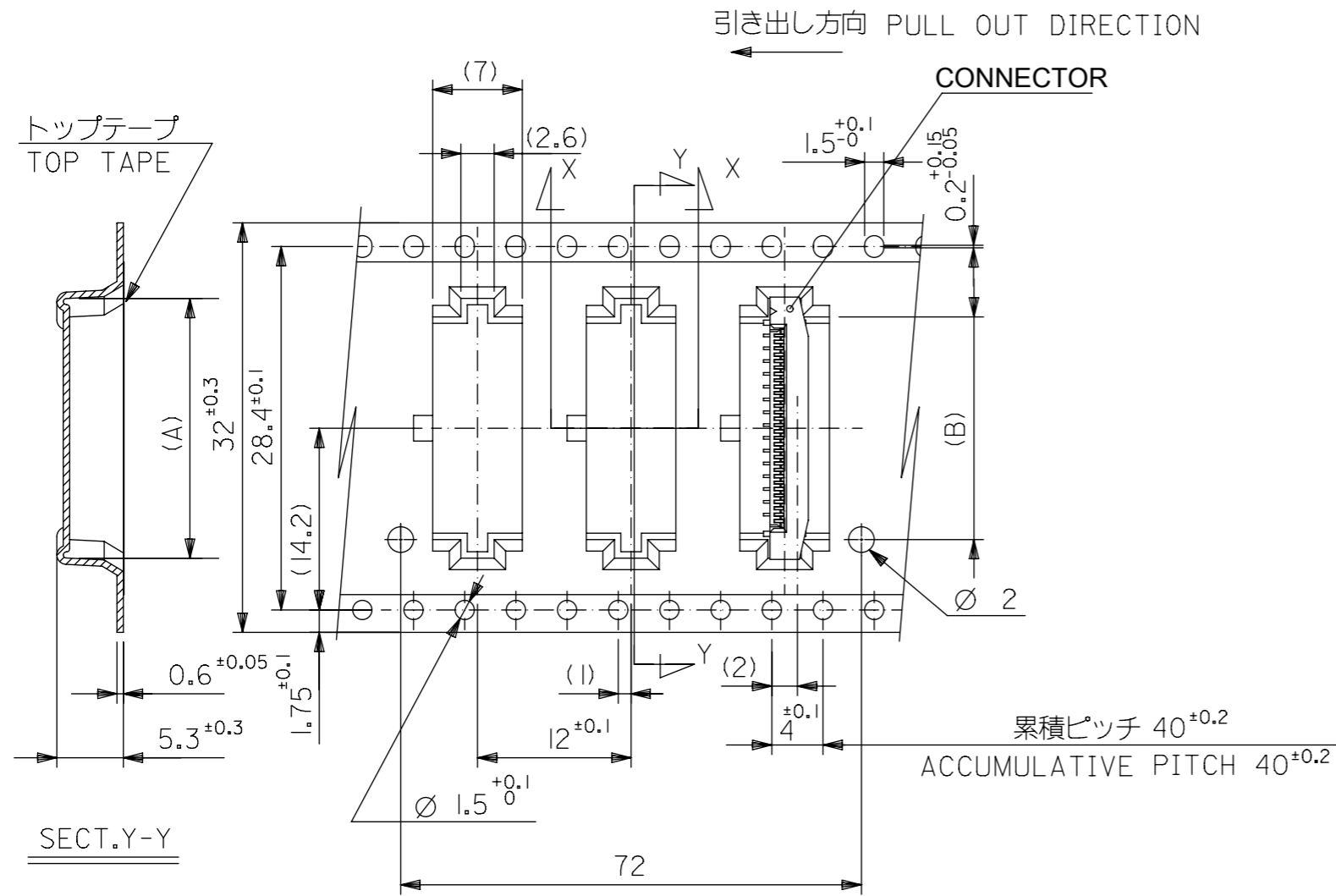


|                                |      |      |      |      |            |     |              |             |
|--------------------------------|------|------|------|------|------------|-----|--------------|-------------|
| 24                             | 29.4 | 25.4 | 14.4 | 17.3 | 52559-2472 | 24  |              |             |
|                                |      |      | 13.9 | 16.8 | 52559-2372 | 23  |              |             |
|                                |      |      | 12.9 | 15.8 | 52559-2172 | 21  |              |             |
|                                |      |      | 12.4 | 15.3 | 52559-2072 | 20  |              |             |
|                                |      |      | 10.9 | 13.8 | 52559-1772 | 17  |              |             |
|                                |      |      | 10.4 | 13.3 | 52559-1672 | 16  |              |             |
|                                |      |      | 9.9  | 12.8 | 52559-1572 | 15  |              |             |
|                                |      |      | 9.4  | 12.3 | 52559-1472 | 14  |              |             |
|                                |      |      | 8.4  | 11.3 | 52559-1272 | 12  |              |             |
|                                |      |      | 7.4  | 10.3 | 52559-1072 | 10  |              |             |
|                                |      |      | 6.9  | 9.8  | 52559-0972 | 9   |              |             |
|                                |      |      | 5.4  | 8.3  | 52559-0672 | 6   |              |             |
| キャリアテープ幅<br>CARRIER TAPE WIDTH |      |      | D    | C    | (B)        | (A) | MATERIAL NO. | CIRCUIT NO. |

THIS DRAWING CONTAINS INFORMATION THAT IS PROPRIETARY TO MOLEX ELECTRONIC TECHNOLOGIES, LLC AND SHOULD NOT BE USED WITHOUT WRITTEN PERMISSION

|  |       |  |          |
|--|-------|--|----------|
| DIMENSION UNITS                                      | SCALE | CURRENT REV DESC:                                      |          |
| mm   | NTS   |  |          |
| GENERAL TOLERANCES (UNLESS SPECIFIED)                |       | molex  |          |
| ANGULAR TOL ± °                                      |       | 0.5 FPC CONN ASSY ZIF<br>SMT ST EMBSTP PKG -LEAD FREE- |          |
| 4 PLACES ±   |       | PRODUCT CUSTOMER DRAWING                               |          |
| 3 PLACES ±   |       | DOCUMENT NUMBER  |          |
| 2 PLACES ±   |       | SD-52559-028   |          |
| 1 PLACE ±  |       | DOC TYPE   | DOC PART |
| 0 PLACES ±   |       | PSD  | 001      |
| DRAFT WHERE APPLICABLE MUST REMAIN WITHIN DIMENSIONS |       | REVISION   |          |
| THIRD ANGLE PROJECTION                               |       | D  |          |
| DRAWING  |       | SHEET NUMBER   |          |
| A3-SIZE  |       | 2 OF 6   |          |
| SERIES   |       | MATERIAL NUMBER  |          |
| 52559  |       | SEE TABLE  |          |
| CUSTOMER   |       | GENERAL MARKET   |          |

| GENERAL TOLERANCES (UNLESS SPECIFIED)  |       |
|--|-------|
| 10 <sup>UNDER</sup>                    | ±0.2  |
| 10 <sup>OVER</sup> 30 <sup>UNDER</sup> | ±0.25 |
| 30 <sup>OVER</sup>                     | ±0.3  |
| ANGULAR                                | ±3 °  |

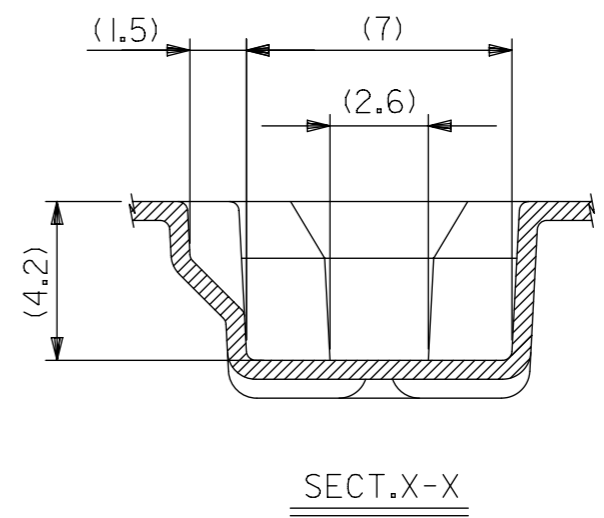
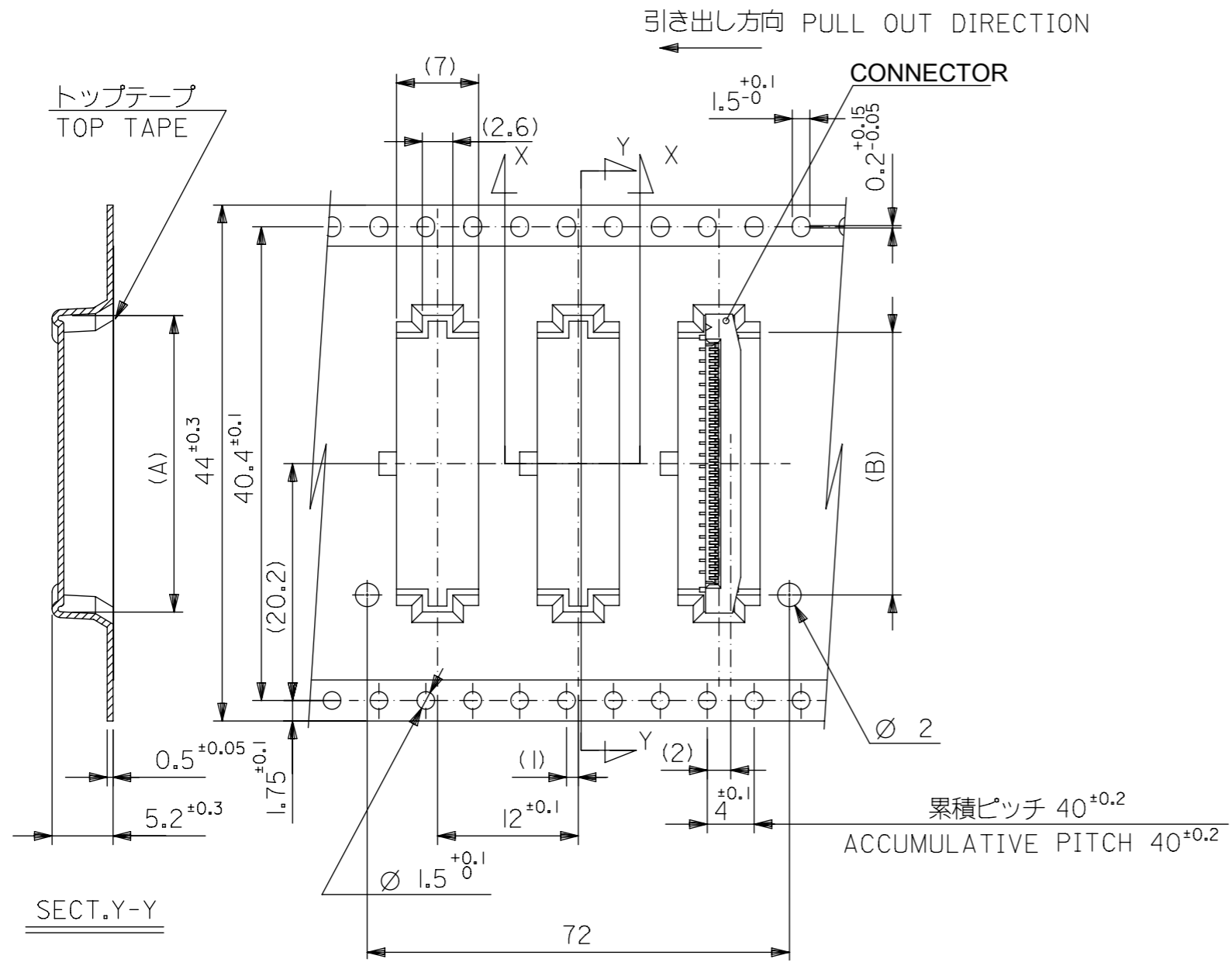


|                                |      |      |      |      |            |              |             |
|--------------------------------|------|------|------|------|------------|--------------|-------------|
| 32                             | 37.4 | 33.4 | 18.4 | 21.3 | 52559-3272 | 32           |             |
|                                |      |      | 17.4 | 20.3 | 52559-3072 | 30           |             |
|                                |      |      | 16.4 | 19.3 | 52559-2872 | 28           |             |
|                                |      |      | 15.9 | 18.8 | 52559-2772 | 27           |             |
|                                |      |      | 15.4 | 18.3 | 52559-2672 | 26           |             |
| キャリアテープ幅<br>CARRIER TAPE WIDTH |      | D    | C    | (B)  | (A)        | MATERIAL NO. | CIRCUIT NO. |

THIS DRAWING CONTAINS INFORMATION THAT IS PROPRIETARY TO MOLEX ELECTRONIC TECHNOLOGIES, LLC AND SHOULD NOT BE USED WITHOUT WRITTEN PERMISSION

|                                       |  |  |  |                    |  |                 |  |
|---------------------------------------|--|--|--|--------------------|--|-----------------|--|
| DIMENSION UNITS: mm                   |  | SCALE: NTS   |  | CURRENT REV DESC:  |  |                 |  |
| GENERAL TOLERANCES (UNLESS SPECIFIED) |  |  |  |                    |  |                 |  |
| ANGULAR TOL ± °                       |  |  |  |                    |  |                 |  |
| 4 PLACES ±                            |  | 3 PLACES ±   |  | EC NO: 745355      |  | 2023/04/05      |  |
| 3 PLACES ±                            |  | 2 PLACES ±   |  | DRWN: RAJMOK       |  | 2023/04/07      |  |
| 2 PLACES ±                            |  | 1 PLACE ±  |  | CHK'D: HSHIMOYAMA  |  | 2023/04/07      |  |
| 1 PLACE ±                             |  | 0 PLACES ±   |  | APPR: HSHIMOYAMA   |  | 2023/04/07      |  |
| 0 PLACES ±                            |  | DRAFT WHERE APPLICABLE MUST REMAIN WITHIN DIMENSIONS |  | INITIAL REVISION:  |  | DOCUMENT NUMBER |  |
| THIRD ANGLE PROJECTION                |  | DRAWING  |  | DRWN: HSHIMABUKURO |  | SD-52559-028    |  |
| SERIES                                |  | MATERIAL NUMBER                                      |  | APPR: MSASAO       |  | DOC TYPE        |  |
| A3-SIZE                               |  | 52559  |  | 2004/01/07         |  | DOC PART        |  |
| GENERAL MARKET                        |  | SEE TABLE  |  | 2004/01/08         |  | REVISION        |  |
| 3 OF 6                                |  | GENERAL MARKET                                       |  | 3 OF 6             |  | D               |  |

|  |       |
|--|-------|
| GENERAL TOLERANCES (UNLESS SPECIFIED)  |       |
| 10 <sup>UNDER</sup>                    | ±0.2  |
| 10 <sup>OVER</sup> 30 <sup>UNDER</sup> | ±0.25 |
| 30 <sup>OVER</sup>                     | ±0.3  |
| ANGULAR                                | ±3 °  |



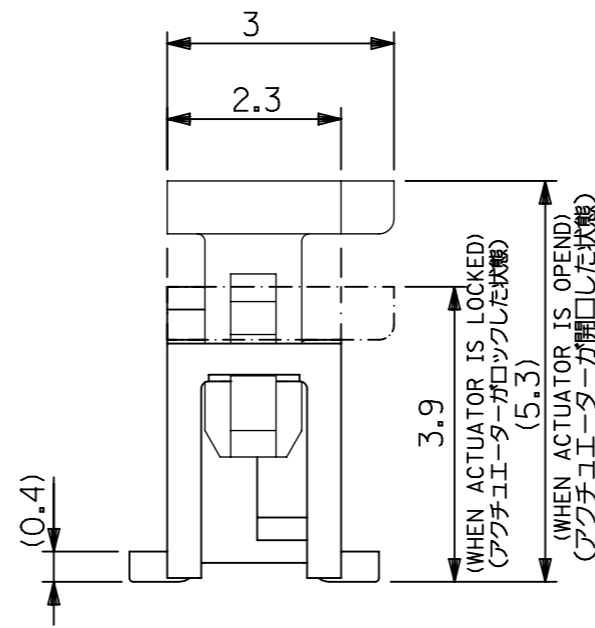
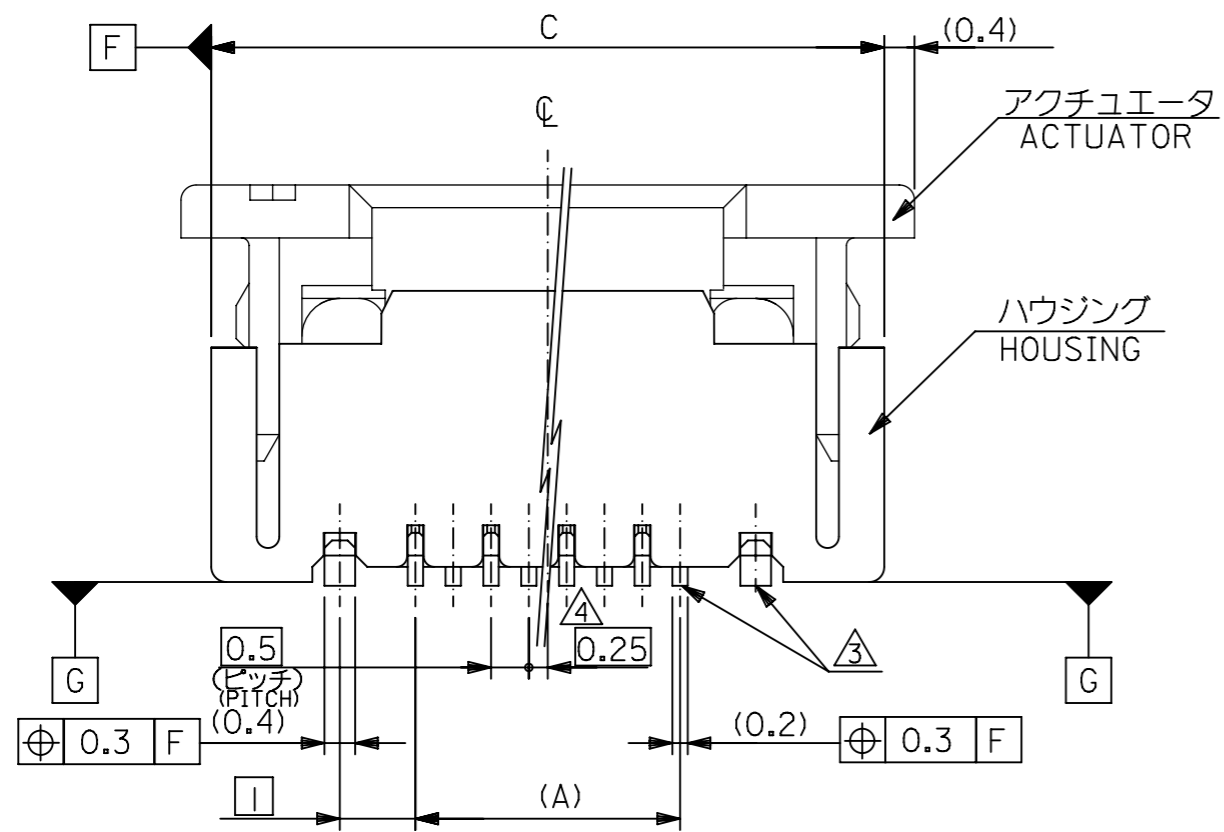
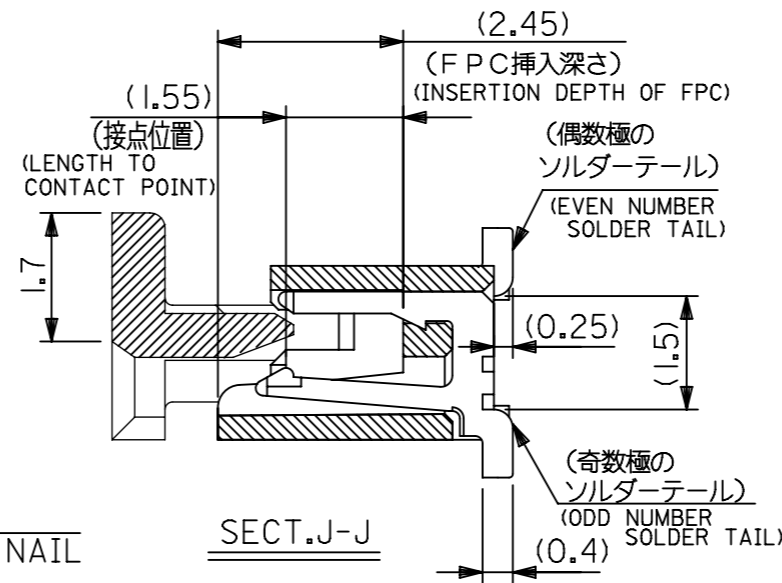
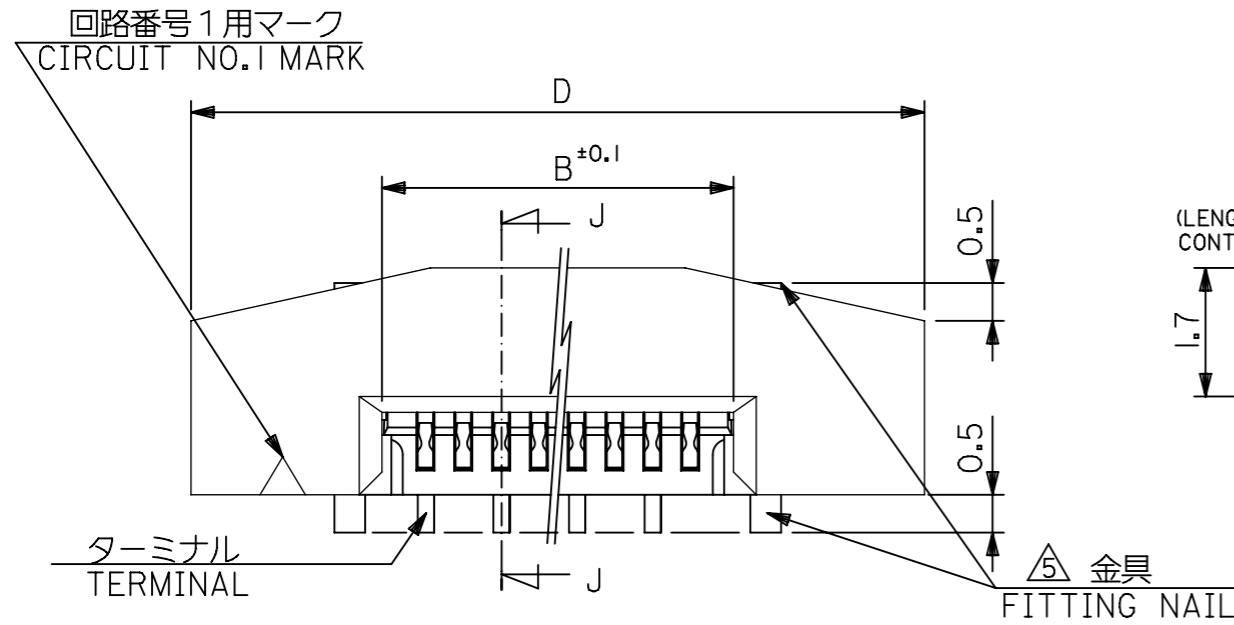
44mm幅キャリアテープ  
44mm WIDTH CARRIER TAPE

|                                |      |      |      |      |              |             |
|--------------------------------|------|------|------|------|--------------|-------------|
| 44                             | 49.4 | 45.4 | 22.4 | 25.3 | 52559-4072   | 40          |
|                                |      |      | 20.4 | 23.3 | 52559-3672   | 36          |
| キャリアテープ幅<br>CARRIER TAPE WIDTH | D    | C    | (B)  | (A)  | MATERIAL NO. | CIRCUIT NO. |

THIS DRAWING CONTAINS INFORMATION THAT IS PROPRIETARY TO MOLEX ELECTRONIC TECHNOLOGIES, LLC AND SHOULD NOT BE USED WITHOUT WRITTEN PERMISSION

|  |       |                        |         |  |                 |                |
|--|-------|------------------------|---------|--|-----------------|----------------|
| DIMENSION UNITS                                      | SCALE | CURRENT REV DESC:      |         | <b>molex</b>   |                 |                |
| mm   | NTS   |                        |         |  |                 |                |
| GENERAL TOLERANCES (UNLESS SPECIFIED)                |       | EC NO: 745355          |         | 0.5 FPC CONN ASSY ZIF<br>SMT ST EMBSTP PKG -LEAD FREE- |                 |                |
| ANGULAR TOL ± °                                      |       | DRWN: RAJMOK           |         | PRODUCT CUSTOMER DRAWING                               |                 |                |
| 4 PLACES ±   |       | CHK'D: HSHIMOYAMA      |         | DOCUMENT NUMBER  |                 |                |
| 3 PLACES ±   |       | APPR: HSHIMOYAMA       |         | SD-52559-028   |                 | DOC TYPE       |
| 2 PLACES ±   |       | INITIAL REVISION:      |         | PSD  |                 | DOC PART       |
| 1 PLACE ±  |       | DRWN: HSHIMABUKURO     |         | 001  |                 | REVISION       |
| 0 PLACES ±   |       | APPR: MSASAO           |         | D  |                 |                |
| DRAFT WHERE APPLICABLE MUST REMAIN WITHIN DIMENSIONS |       | THIRD ANGLE PROJECTION | DRAWING | SERIES   | MATERIAL NUMBER | CUSTOMER       |
|  |       |                        | A3-SIZE | 52559  | SEE TABLE       | GENERAL MARKET |
|  |       |                        |         |  |                 | SHEET NUMBER   |
|  |       |                        |         |  |                 | 4 OF 6         |

|  |       |
|--|-------|
| GENERAL TOLERANCES (UNLESS SPECIFIED)  |       |
| 10 <sup>UNDER</sup>                    | ±0.2  |
| 10 <sup>OVER</sup> 30 <sup>UNDER</sup> | ±0.25 |
| 30 <sup>OVER</sup>                     | ±0.3  |
| ANGULAR                                | ±3 °  |



|      |      |       |      |              |            |
|------|------|-------|------|--------------|------------|
| 25.7 | 24.9 | 20.65 | 19.5 | 52559-4072   | 40         |
| 23.7 | 22.9 | 18.65 | 17.5 | -3672        | 36         |
| 21.7 | 20.9 | 16.65 | 15.5 | -3272        | 32         |
| 20.7 | 19.9 | 15.65 | 14.5 | -3072        | 30         |
| 19.7 | 18.9 | 14.65 | 13.5 | -2872        | 28         |
| 19.2 | 18.4 | 14.15 | 13.0 | -2772        | 27         |
| 18.7 | 17.9 | 13.65 | 12.5 | -2672        | 26         |
| 17.7 | 16.9 | 12.65 | 11.5 | -2472        | 24         |
| 17.2 | 16.4 | 12.15 | 11.0 | -2372        | 23         |
| 16.2 | 15.4 | 11.15 | 10.0 | -2172        | 21         |
| 15.7 | 14.9 | 10.65 | 9.5  | -2072        | 20         |
| 14.2 | 13.4 | 9.15  | 8.0  | -1772        | 17         |
| 13.7 | 12.9 | 8.65  | 7.5  | -1672        | 16         |
| 13.2 | 12.4 | 8.15  | 7.0  | -1572        | 15         |
| 12.7 | 11.9 | 7.65  | 6.5  | -1472        | 14         |
| 11.7 | 10.9 | 6.65  | 5.5  | -1272        | 12         |
| 10.7 | 9.9  | 5.65  | 4.5  | -1072        | 10         |
| 10.2 | 9.4  | 5.15  | 4.0  | -0972        | 9          |
| 8.7  | 7.9  | 3.65  | 2.5  | 52559-0672   | 6          |
| D    | C    | B     | (A)  | MATERIAL NO. | 極数<br>PKT. |

THIS DRAWING CONTAINS INFORMATION THAT IS PROPRIETARY TO MOLEX ELECTRONIC TECHNOLOGIES, LLC AND SHOULD NOT BE USED WITHOUT WRITTEN PERMISSION

mm NTS

GENERAL TOLERANCES (UNLESS SPECIFIED)

ANGULAR TOL ± °

4 PLACES ±

3 PLACES ±

2 PLACES ±

1 PLACE ±

1 PLACES ±

DRAFT WHERE APPLICABLE MUST REMAIN WITHIN DIMENSIONS

THIRD ANGLE PROJECTION

DRAWING A3-SIZE

SERIES 52559

MATERIAL NUMBER SEE TABLE

CUSTOMER GENERAL MARKET

SHEET NUMBER 5 OF 6

EC NO: 745355  
 DRWN: RAJMOK 2023/04/05  
 CHK'D: HSHIMOYAMA 2023/04/07  
 APPR: HSHIMOYAMA 2023/04/07

INITIAL REVISION:  
 DRWN: HSHIMABUKURO 2004/01/07  
 APPR: MSASAO 2004/01/08

DOCUMENT NUMBER SD-52559-028

DOC TYPE PSD

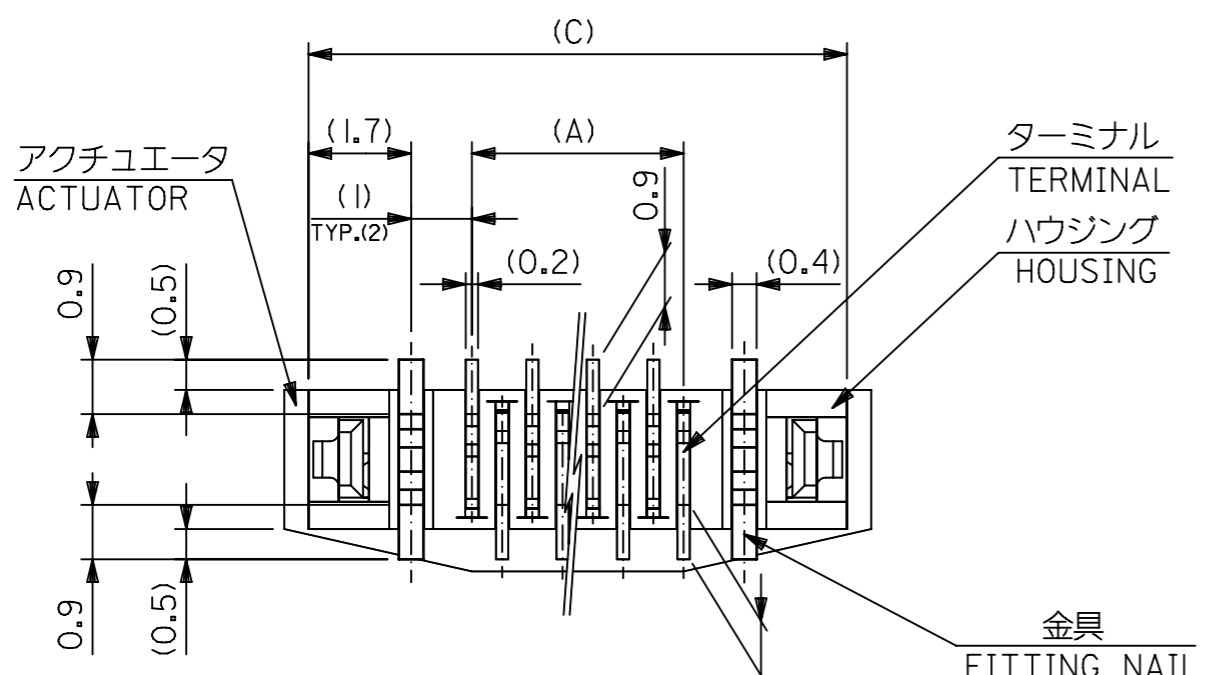
DOC PART 001

REVISION D

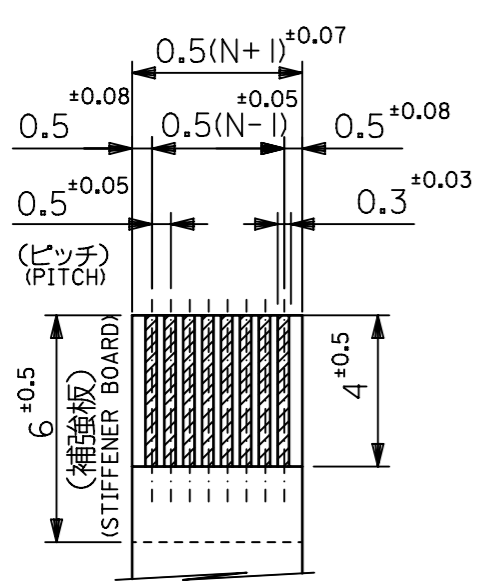
PRODUCT CUSTOMER DRAWING

0.5 FPC CONN ASSY ZIF  
 SMT ST EMBSTP PKG -LEAD FREE-

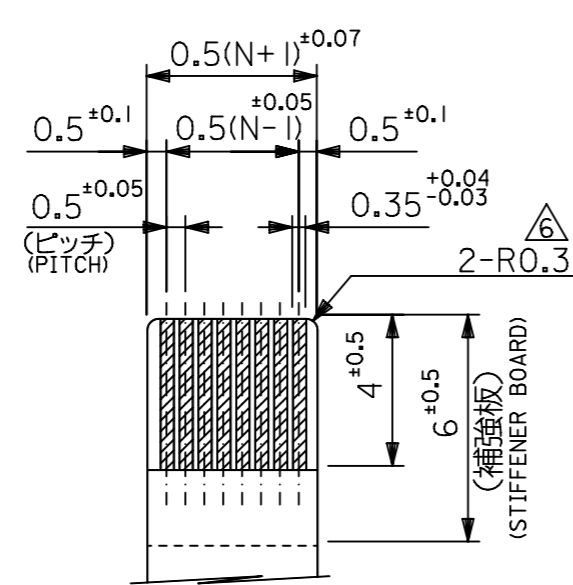
| GENERAL TOLERANCES (UNLESS SPECIFIED)  |       |
|--|-------|
| 10 <sup>UNDER</sup>                    | ±0.2  |
| 10 <sup>OVER</sup> 30 <sup>UNDER</sup> | ±0.25 |
| 30 <sup>OVER</sup>                     | ±0.3  |
| ANGULAR                                | ±3 °  |



下面図  
BOTTOM VIEW



適合 FFC 推奨寸法  
APPLICABLE FFC  
RECOMMENDED DIMENSION.  
(仕上がり厚さ:  $0.3 \pm 0.05$ )  
(THICKNESS:  $0.3 \pm 0.05$ )



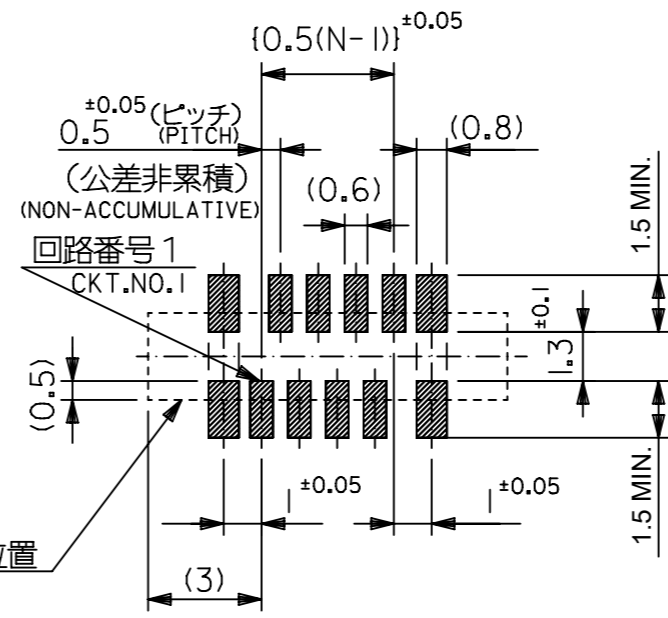
適合 FPC 推奨寸法  
APPLICABLE FPC  
RECOMMENDED DIMENSION.  
(仕上がり厚さ:  $0.3 \pm 0.05$ )  
(THICKNESS:  $0.3 \pm 0.05$ )

FPCについて:  
打抜き方向は導体側から補強板側を推奨致します。  
補強フィルム材質はポリイミドを推奨致します。  
接着剤は熱硬化接着剤を推奨致します。

ABOUT FPC:  
RECOMMENDED PUNCHER DIRECTION: FROM CONDUCTOR SIDE TO STIFFENER BOARD SIDE.  
RECOMMENDED MATERIAL:  
STIFFENER FILM: POLYIMIDE  
BONDING AGENT: THERMOSETTING BONDING AGENT

注記 NOTES

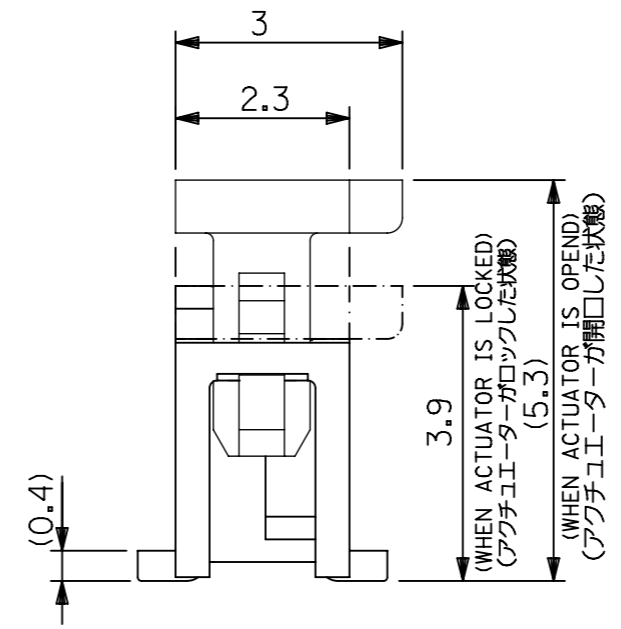
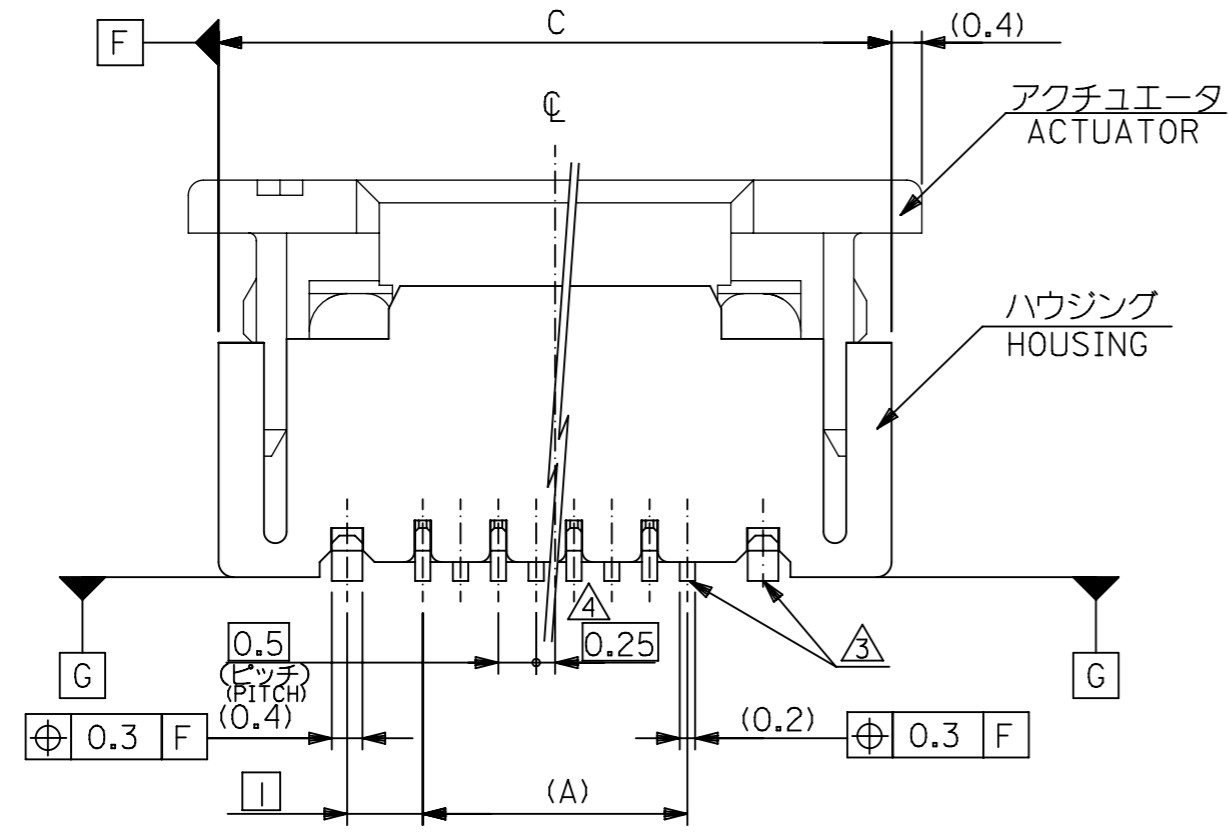
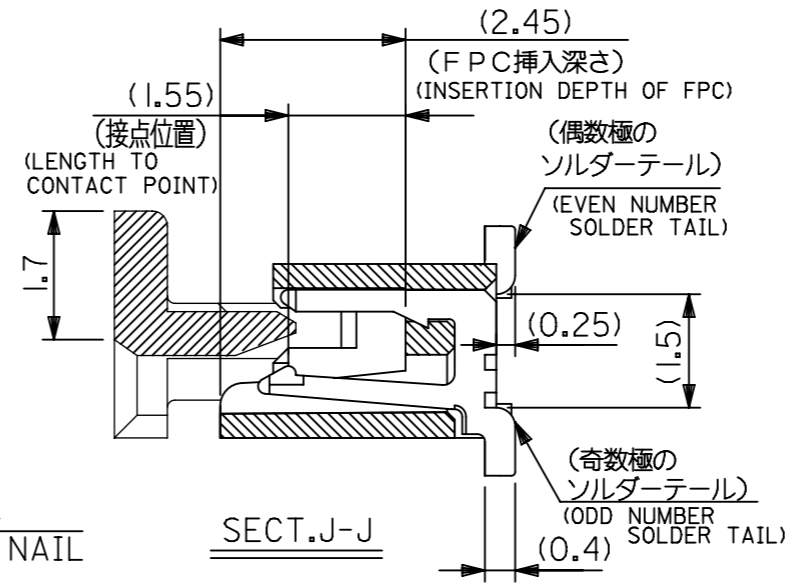
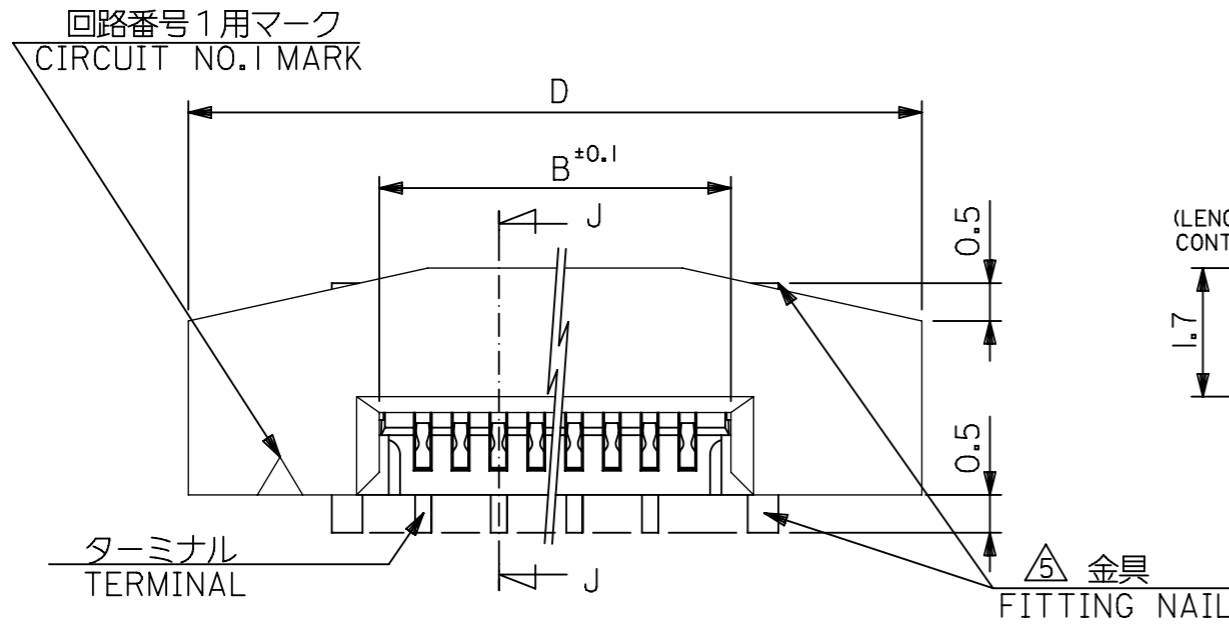
- 使用材料: MATERIAL  
ハウジング HOUSING : 46NYLON UL94V-0  
アクチュエータ ACTUATOR : PPS UL94V-0  
ターミナル TERMINAL : リン青銅 (t=0.2) PHOS-BRO  
: 錫ビスマスメッキ 1.0マイクロメートル以上 TIN-BISMUTH 1.0 MICROMETER MINIMUM  
: ニッケル下地 1.0マイクロメートル以上 NICKEL(UNDER PLATING) 1.0 MICROMETER MINIMUM  
金具 FITTING NAIL : リン青銅 (t=0.4) PHOS-BRO  
: 錫メッキ 1.0マイクロメートル以上 TIN 1.0 MICROMETER MINIMUM  
: ニッケル下地 1.0マイクロメートル以上 NICKEL(UNDER PLATING) 1.0 MICROMETER MINIMUM
  - エンボステープ梱包時は、アクチュエータがロックした状態とする。  
IN THE PACKAGE, ACTUATOR OF PART NO.52559-\*\*\*19 SHOULD BE LOCKED.
- △ ソルダータール半田付け面のスレ量、及び金具半田付け面のスレ量は、基準面 G に対し上方向 0.05 MAX. , 下方向 0.15 MAX. とする。  
MISALIGNMENT OF SOLDER TAILS AND FITTING NAILS FROM G  
UPPER DIRECTION: 0.05 MAX. , LOWER DIRECTION: 0.15 MAX.
- △ 偶数極に適用。  
APPLY FOR EVEN CIRCUIT.
- △ パターンはくり止め用金具。  
FITTING NAIL FOR PREVENTION OF PEELING OF P.C.B. PATTERN.
- △ R0.3は、FPCの導体部にかからないこと。  
R0.3 MUST NOT BE OVERLAPPED TO PATTERN OF FPC.
7. 本製品は 52559-\*\*\*17 の鉛フリー品である。  
THIS PRODUCT IS LEAD FREE OF 52559-\*\*\*17



参考基板レイアウト  
(マウント面)  
RECOMMENDED P.C. BOARD  
PATTERN DIMENSION (REF.)  
(MOUNTING SIDE)

|   |       |                                       |  |  |  |
|---|-------|---------------------------------------|--|--|--|
| THIS DRAWING CONTAINS INFORMATION THAT IS PROPRIETARY TO MOLEX ELECTRONIC TECHNOLOGIES, LLC AND SHOULD NOT BE USED WITHOUT WRITTEN PERMISSION |       | CURRENT REV DESC:                     |  | <b>molex</b>   |  |
| DIMENSION UNITS   | SCALE |                                       |  |  |  |
| mm  | NTS   |                                       |  | 0.5 FPC CONN ASSY ZIF<br>SMT ST EMBSTP PKG -LEAD FREE- |  |
| GENERAL TOLERANCES (UNLESS SPECIFIED)   |       | GENERAL TOLERANCES (UNLESS SPECIFIED) |  | PRODUCT CUSTOMER DRAWING                               |  |
| ANGULAR TOL ± °   |       | ANGULAR TOL ± °                       |  | DOCUMENT NUMBER  |  |
| 4 PLACES ±  |       | 4 PLACES ±                            |  | SD-52559-028   |  |
| 3 PLACES ±  |       | 3 PLACES ±                            |  | DOC TYPE   |  |
| 2 PLACES ±  |       | 2 PLACES ±                            |  | PSD  |  |
| 1 PLACE ±   |       | 1 PLACE ±                             |  | DOC PART   |  |
| 0 PLACES ±  |       | 0 PLACES ±                            |  | 001  |  |
| DRAFT WHERE APPLICABLE MUST REMAIN WITHIN DIMENSIONS  |       | THIRD ANGLE PROJECTION                |  | REVISION   |  |
|   |       | DRAWING                               |  | D  |  |
|   |       | SERIES                                |  | SHEET NUMBER   |  |
|   |       | A3-SIZE                               |  | 6 OF 6   |  |
|   |       | 52559                                 |  | MATERIAL NUMBER  |  |
|   |       | SEE TABLE                             |  | CUSTOMER   |  |
|   |       | GENERAL MARKET                        |  |  |  |

|  |       |
|--|-------|
| GENERAL TOLERANCES (UNLESS SPECIFIED)  |       |
| 10 <sup>UNDER</sup>                    | ±0.2  |
| 10 <sup>OVER</sup> 30 <sup>UNDER</sup> | ±0.25 |
| 30 <sup>OVER</sup>                     | ±0.3  |
| ANGULAR                                | ±3°   |



注記 NOTES

- 使用材料 : MATERIAL  
 ハウジング : 46NYLON UL94V-0  
 アクチュエータ : PPS UL94V-0  
 ターミナル : リン青銅 (t=0.2) PHOS-BRO  
 : 錫ビスマスマッキ 1.0マイクロメートル以上 TIN-BISMUTH 1.0 MICROMETER MINIMUM  
 : ニッケル下地 1.0マイクロメートル以上 NICKEL(UNDER PLATING) 1.0 MICROMETER MINIMUM  
 金具 : リン青銅 (t=0.4) PHOS-BRO  
 : 錫メッキ 1.0マイクロメートル以上 TIN 1.0 MICROMETER MINIMUM  
 : ニッケル下地 1.0マイクロメートル以上 NICKEL(UNDER PLATING) 1.0 MICROMETER MINIMUM
- エンボスステップ梱包時は、アクチュエータがロックした状態とする。  
 IN THE PACKAGE, ACTUATOR OF PART NO.52559-\*\*\*19 SHOULD BE LOCKED.
- △ ソルダーテール半田付け面のズレ量、及び金具半田付け面のズレ量は、基準面 G に対し上方向 0.05 MAX. , 下方向 0.15 MAX. とする。  
 MISALIGNMENT OF SOLDER TAILS AND FITTING NAILS FROM G UPPER DIRECTION: 0.05 MAX. , LOWER DIRECTION: 0.15 MAX.
- △ 偶数極に適用。  
 APPLY FOR EVEN CIRCUIT.
- △ パターンはくり止め用金具。  
 FITTING NAIL FOR PREVENTION OF PEELING OF P.C.B. PATTERN.
- △ R0.3は、FPCの導体部にかからないこと。  
 R0.3 MUST NOT BE OVERLAPPED TO PATTERN OF FPC.
- 本製品は 52559-\*\*\*17 の鉛フリー品である。  
 THIS PRODUCT IS LEAD FREE OF 52559-\*\*\*17

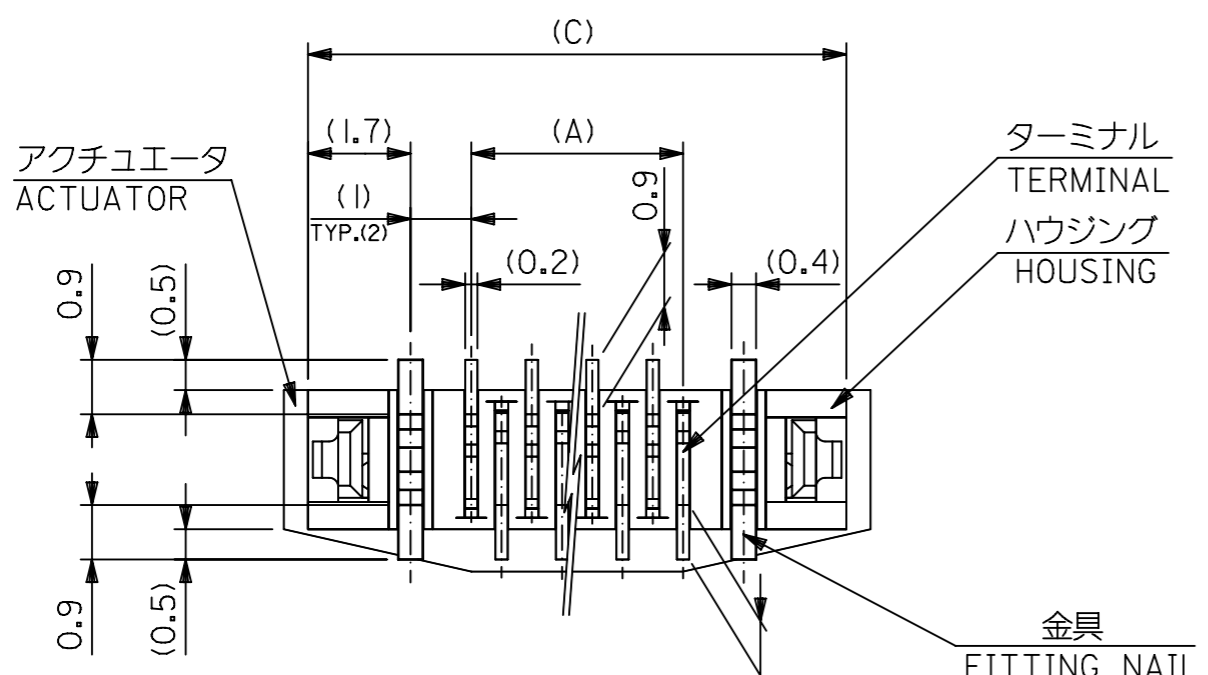
THIS DRAWING CONTAINS INFORMATION THAT IS PROPRIETARY TO MOLEX ELECTRONIC TECHNOLOGIES, LLC AND SHOULD NOT BE USED WITHOUT WRITTEN PERMISSION

|  |       |                   |   |         |        |
|--|-------|-------------------|---|---------|--------|
| DIMENSION UNITS                                      | SCALE | CURRENT REV DESC: | <b>molex</b>  |         |        |
| mm   | NTS   |                   |   |         |        |
| GENERAL TOLERANCES (UNLESS SPECIFIED)                |       |                   | 0.5 FPC CONN ZIF FOR SMT<br>S/T SHEET 1 OF 2 - LEAD FREE- |         |        |
| ANGULAR TOL ± °                                      |       |                   | PRODUCT CUSTOMER DRAWING                                  |         |        |
| 4 PLACES ±   |       |                   | DOCUMENT NUMBER   |         |        |
| 3 PLACES ±   |       |                   | SD-52559-045  |         |        |
| 2 PLACES ±   |       |                   | DOC TYPE DOC PART REVISION                                |         |        |
| 1 PLACE ±  |       |                   | PSD 001 B   |         |        |
| 0 PLACES ±   |       |                   | SHEET NUMBER  |         |        |
| DRAFT WHERE APPLICABLE MUST REMAIN WITHIN DIMENSIONS |       |                   | THIRD ANGLE PROJECTION                                    | DRAWING | SERIES |
|  |       |                   | ⊕   | A3-SIZE | 52559  |
|  |       |                   | MATERIAL NUMBER CUSTOMER                                  |         |        |
|  |       |                   | SEE CHART GENERAL MARKET                                  |         |        |

EC NO: 719890  
 DRWN: NARENC 2022/08/22  
 CHK'D: SMARUYAMA 2022/09/05  
 APPR: YNAITO 2022/09/05  
 INITIAL REVISION:  
 DRWN: HSHIMABUKURO 2004/01/07  
 APPR: MSASAO 2004/01/08

GENERAL TOLERANCES (UNLESS SPECIFIED)

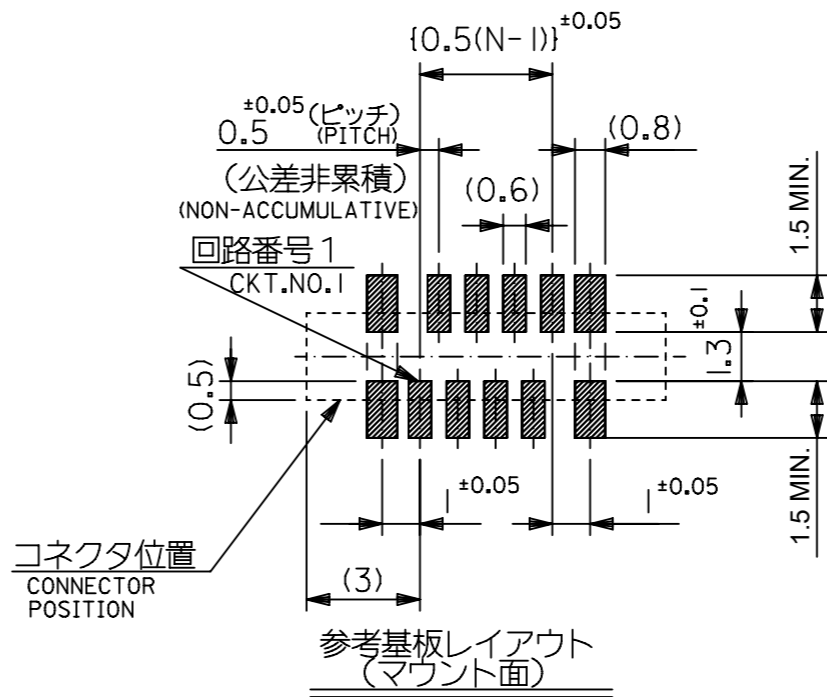
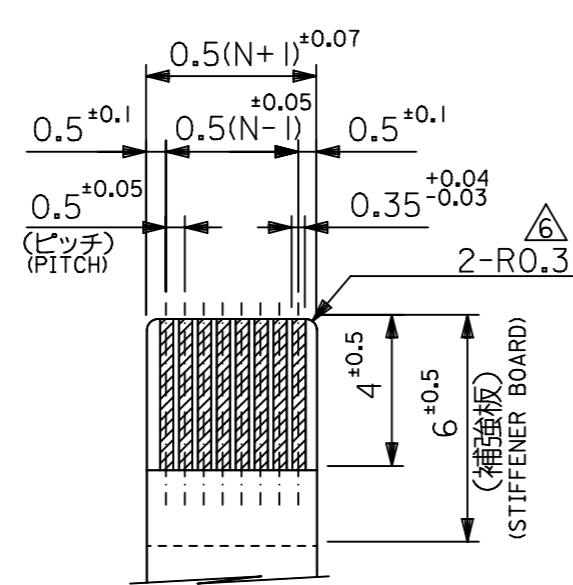
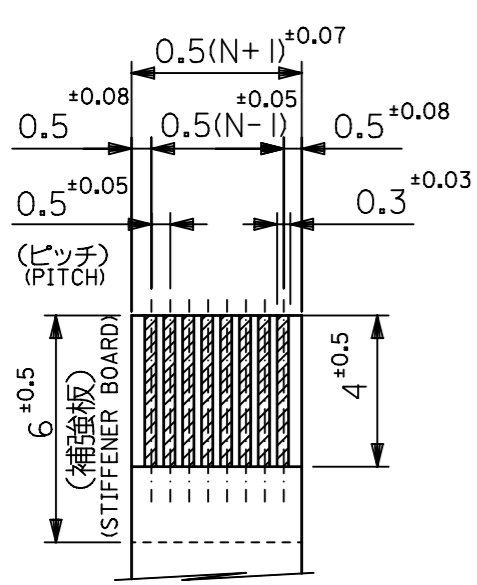
|  |       |
|--|-------|
| 10 <sup>UNDER</sup>                    | ±0.2  |
| 10 <sup>OVER</sup> 30 <sup>UNDER</sup> | ±0.25 |
| 30 <sup>OVER</sup>                     | ±0.3  |
| ANGULAR                                | ±3 °  |



FPCについて：  
 打抜き方向は導体側から補強板側を推奨致します。  
 補強フィルム材質はポリイミドを推奨致します。  
 接着剤は熱硬化接着剤を推奨致します。

ABOUT FPC :  
 RECOMMENDED PUNCHER DIRECTION : FROM CONDUCTOR SIDE TO STIFFENER BOARD SIDE.  
 RECOMMENDED MATERIAL :  
 STIFFENER FILM : POLYIMIDE  
 BONDING AGENT : THERMOSETTING BONDING AGENT

下面図  
BOTTOM VIEW



|      |      |       |      |              |    |    |
|------|------|-------|------|--------------|----|----|
| 25.7 | 24.9 | 20.65 | 19.5 | 52559-40     | 19 | 40 |
| 23.7 | 22.9 | 18.65 | 17.5 | -36          | 19 | 36 |
| 22.2 | 21.4 | 17.15 | 16.0 | -33          | 19 | 33 |
| 21.7 | 20.9 | 16.65 | 15.5 | -32          | 19 | 32 |
| 20.7 | 19.9 | 15.65 | 14.5 | -30          | 19 | 30 |
| 19.7 | 18.9 | 14.65 | 13.5 | -28          | 19 | 28 |
| 19.2 | 18.4 | 14.15 | 13.0 | -27          | 19 | 27 |
| 18.7 | 17.9 | 13.65 | 12.5 | -26          | 19 | 26 |
| 18.2 | 17.4 | 13.15 | 12.0 | -25          | 19 | 25 |
| 17.7 | 16.9 | 12.65 | 11.5 | -24          | 19 | 24 |
| 17.2 | 16.4 | 12.15 | 11.0 | -23          | 19 | 23 |
| 16.7 | 15.9 | 11.65 | 10.5 | -22          | 19 | 22 |
| 16.2 | 15.4 | 11.15 | 10.0 | -21          | 19 | 21 |
| 15.7 | 14.9 | 10.65 | 9.5  | -20          | 19 | 20 |
| 14.7 | 13.9 | 9.65  | 8.5  | -18          | 19 | 18 |
| 14.2 | 13.4 | 9.15  | 8.0  | -17          | 19 | 17 |
| 13.7 | 12.9 | 8.65  | 7.5  | -16          | 19 | 16 |
| 13.2 | 12.4 | 8.15  | 7.0  | -15          | 19 | 15 |
| 12.7 | 11.9 | 7.65  | 6.5  | -14          | 19 | 14 |
| 12.2 | 11.4 | 7.15  | 6.0  | -13          | 19 | 13 |
| 11.7 | 10.9 | 6.65  | 5.5  | -12          | 19 | 12 |
| 10.7 | 9.9  | 5.65  | 4.5  | -10          | 19 | 10 |
| 10.2 | 9.4  | 5.15  | 4.0  | -09          | 19 | 9  |
| 9.7  | 8.9  | 4.65  | 3.5  | -08          | 19 | 8  |
| 8.7  | 7.9  | 3.65  | 2.5  | 52559-06     | 19 | 6  |
| D    | C    | B     | (A)  | MATERIAL NO. | 極数 | 極数 |

GENERAL TOLERANCES (UNLESS SPECIFIED)

|  |       |
|--|-------|
| 10 <sup>UNDER</sup>                    | ±0.2  |
| 10 <sup>OVER</sup> 30 <sup>UNDER</sup> | ±0.25 |
| 30 <sup>OVER</sup>                     | ±0.3  |
| ANGULAR                                | ±3°   |

THIS DRAWING CONTAINS INFORMATION THAT IS PROPRIETARY TO MOLEX ELECTRONIC TECHNOLOGIES, LLC AND SHOULD NOT BE USED WITHOUT WRITTEN PERMISSION

mm NTS

GENERAL TOLERANCES (UNLESS SPECIFIED)

|          |   |
|----------|---|
| 4 PLACES | ± |
| 3 PLACES | ± |
| 2 PLACES | ± |
| 1 PLACE  | ± |
| 0 PLACES | ± |

EC NO: 719890  
 DRWN: NARENC 2022/08/22  
 CHK'D: SMARUYAMA 2022/09/05  
 APPR: YNAITO 2022/09/05

INITIAL REVISION:  
 DRWN: HSHIMABUKURO 2004/01/07  
 APPR: MSASAO 2004/01/08

THIRD ANGLE PROJECTION

DRAFT WHERE APPLICABLE MUST REMAIN WITHIN DIMENSIONS

DRAWING A3-SIZE

SERIES 52559

MATERIAL NUMBER SEE CHART

CUSTOMER GENERAL MARKET

SHEET NUMBER 2 OF 2

DOCUMENT NUMBER SD-52559-045

DOC TYPE PSD

DOC PART 001

REVISION B

**molex**

0.5 FPC CONN ZIF FOR SMT  
S/T SHEET 1 OF 2 - LEAD FREE-

PRODUCT CUSTOMER DRAWING