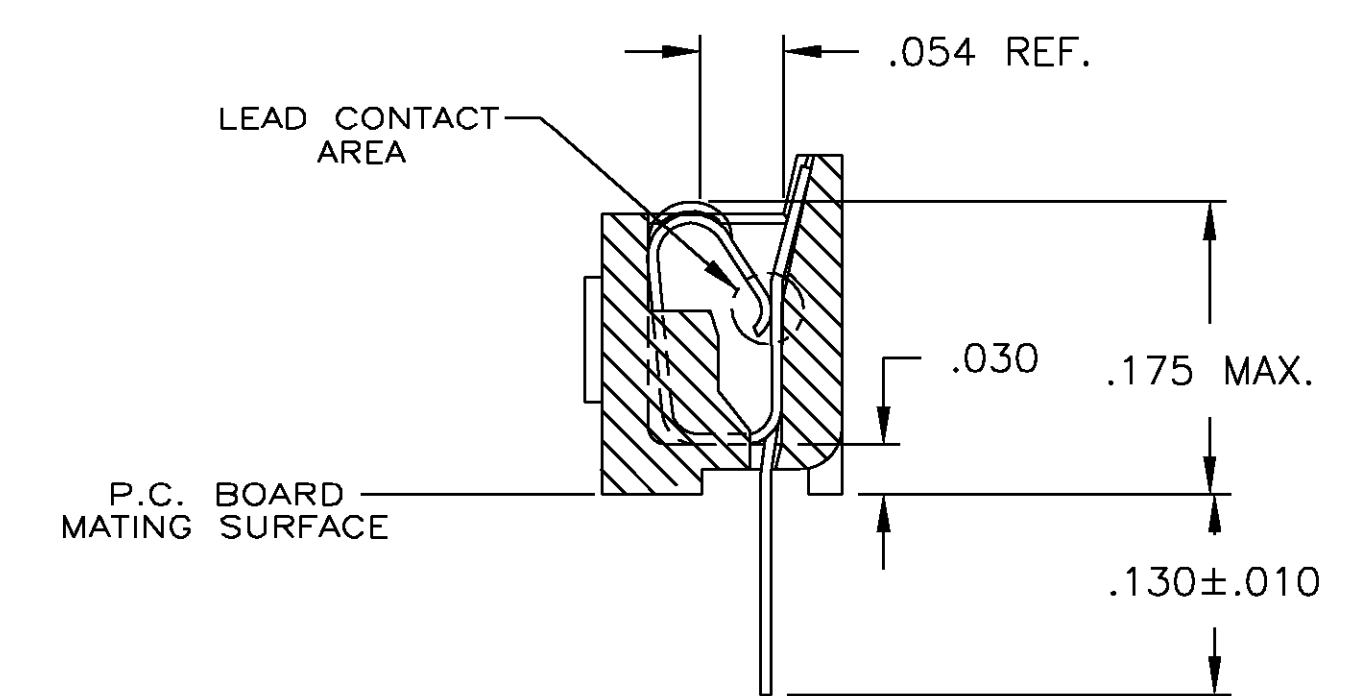


SECTION A-A
ROTATED 90° CW
SCALE 10:1
FOR -6, -7 & -8 ONLY



SECTION A-A
ROTATED 90° CW
SCALE 10:1
FOR -1, -2 & -3 ONLY

- RECEPTACLE ACCEPTS AN .008-.014 THK LEAD.
- TWO .000030 MIN. THK. GOLD STRIPES IN CONTACT AREA, TIN-LEAD(93-7) ON CONTACT LEGS, BALANCE OF CONTACT NICKEL PLATED.
- TWO .000015 MIN. THK. GOLD STRIPES IN CONTACT AREA, TIN-LEAD(93-7) ON CONTACT LEGS, BALANCE OF CONTACT NICKEL PLATED.

	TINNED	PHOS.BRZ.	GLASS-FILLED THERMOPLASTIC, 94V-O, BLACK	643648-8
OBSOLETE	△	BE.CU.	GLASS-FILLED THERMOPLASTIC, 94V-O, BLACK	643648-7
OBSOLETE	TINNED	BE.CU.	GLASS-FILLED THERMOPLASTIC, 94V-O, BLACK	643648-6
SUPSD BY 643648-2	△	PHOS.BRZ.	GLASS-FILLED THERMOPLASTIC, 94V-O, BLACK	643648-4
	TINNED	PHOS.BRZ.	GLASS-FILLED THERMOPLASTIC, 94V-O, BLACK	643648-3
OBSOLETE	△	BE.CU.	GLASS-FILLED THERMOPLASTIC, 94V-O, BLACK	643648-2
	TINNED	BE.CU.	GLASS-FILLED THERMOPLASTIC, 94V-O, BLACK	643648-1
	CONTACT FINISH	CONTACT MAT'L	HOUSING MATERIAL	PART NO.

THIS DRAWING IS A CONTROLLED DOCUMENT.

DW	M. CYRUS	8-1-84
CR	N. LONES	7-3-84
APVD	J. GRAY	7-10-84

AMP Tyco Electronics Corporation
Harrisburg, PA 17105

SOCKET ASSY, SIP, 16 POS,
DIPLOMATE DL

108-1066
114-1049

SIZE: A1 CAGE CODE: 00779 DRAWING NO: 643648

SCALE: 5:1 SHEET 1 OF 1