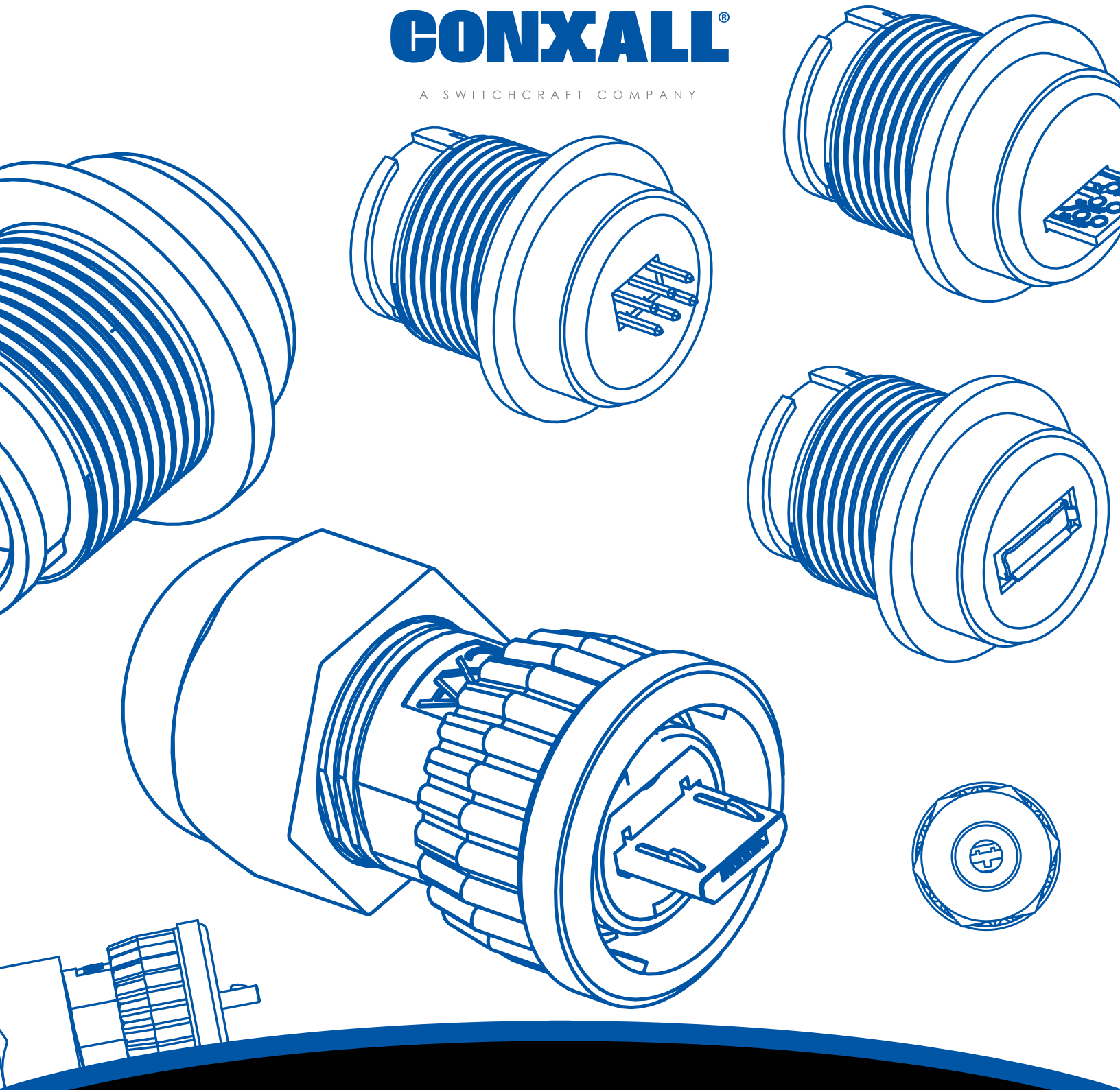


CONXALL®

A SWITCHCRAFT COMPANY



DATA-CON-X® SEALED MICRO-USB CONNECTORS

NPB | C716

DATA-CON-X® SEALED MICRO-USB CONNECTORS

NPB | C716



FEATURES & BENEFITS

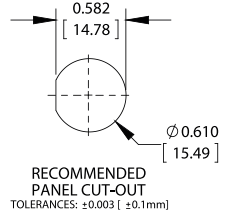
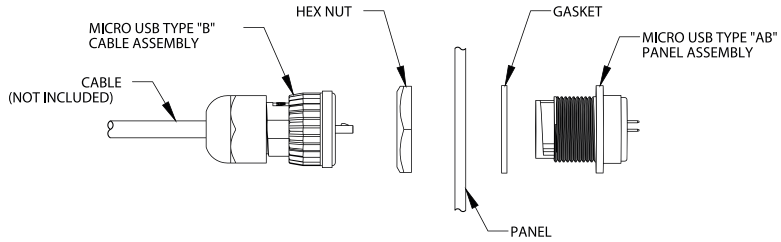
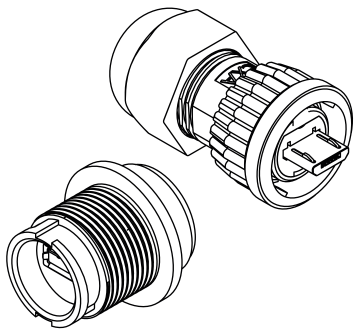
- Sealed to IP67 & IP68 NEMA 250 (6P)
- Feed through, PC Tail or Solder terminals for easy field installation
- Field installable design is easy to assemble
- Quick connect bayonet style interface
- RoHS compliant assembly

APPLICATIONS

- Any sealed data transmission
- Military or industrial GPS location devices
- Instrumentation
- Medical data carts
- Data acquisition units
- General industrial electronic applications

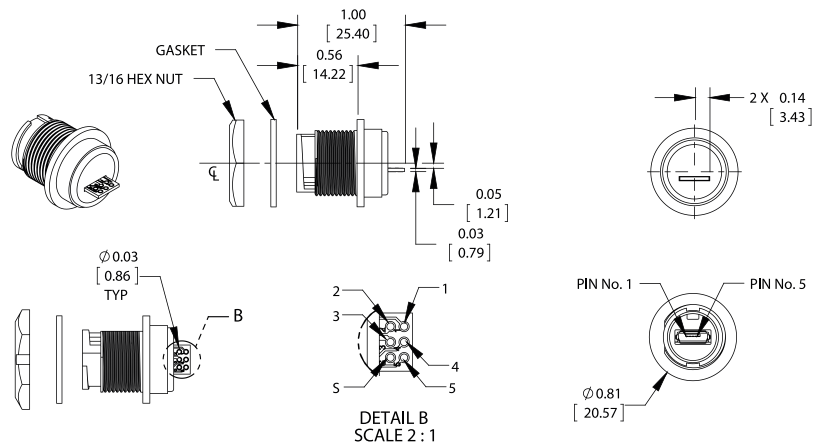
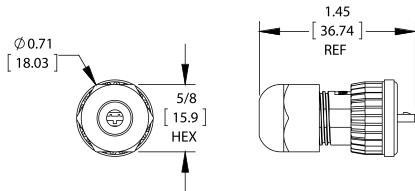
DATA-CON-X[®] SEALED MICRO-USB CONNECTORS

NPB | C716



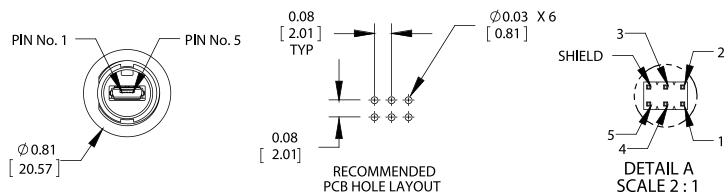
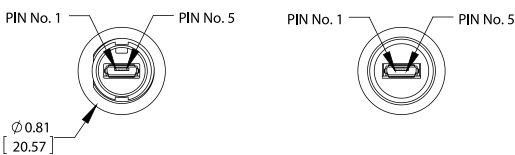
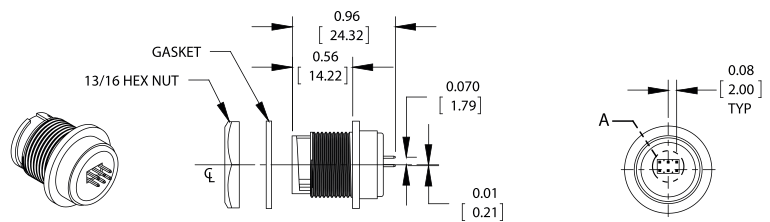
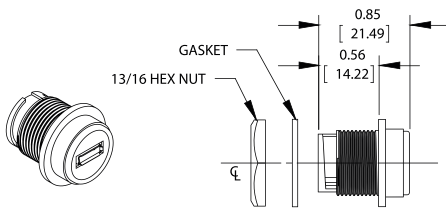
DCC-USBCB-120
Micro-USB Field Installable Cable Plug

DCP-USBCB-SC
Micro-USB Panel Mount - Solder Holes



DCP-USBCB-F
Micro-USB Panel Mount - Feed-Thru

DCP-USBCB-HD
Micro-USB Panel Mount - PC Tails



UNITS ARE LISTED IN INCHES [MM]. ALL DIMENSIONS ARE REFERENCE ONLY.

PLEASE VISIT WWW.CONXALL.COM FOR THE MOST UP-TO-DATE PRODUCT SPECIFICATIONS.

DATA-CON-X[®] SEALED MICRO-USB CONNECTORS

NPB | C716

SPECIFICATIONS

Mechanical Specifications

Life:	300 Cycles Minimum
Vibration:	Mil-Std 202G Method 201A
Hex Nut Torque:	10-12 in-lb
Coupling Locking Style:	Quick Connect (Bayonet)
Backshell Style:	Threaded Nut-Squeezed Grommet

Electrical Specifications

Tested Per USB 2.0 Specifications

Environmental Specifications

Operating Temperature Rating:	-25 °C to +85 °C (-13°F to +185°F)
Moisture Resistance:	Mil-Std 202G Method 106G
Insulation Resistance:	Mil-Std 202G Method 302
Thermal Shock:	Mil-Std 202G Method 107G
Weathertight:	IP67 & IP68, NEMA 250 (6P) (when mated)

Material Specifications

Plug Nut, Coupling Nut:	Thermoplastic
Plug Housing, Insert:	Thermoplastic
Sealing Ring, O-Ring:	Elastomer
Panel Housing, Hex Nut:	Thermoplastic
Gasket:	Elastomer
Printed Circuit Board (PCB):	FR-4

Header:

Insulator:	Thermoplastic UL94V-0, Black
Contacts:	Copper Alloy, Gold Flash

Micro USB Type B Plug:

Insulator:	Thermoplastic UL94V-0, Black
Contacts:	Copper Alloy, Gold Plated (Contact Area)
Metal Shield:	Steel, Nickel Plated

Micro USB Type AB Receptacle:

Insulator:	Thermoplastic UL94V-0, Black
Contacts:	Copper Alloy, Gold Flash (Contact Area)
Metal Shield:	Copper Alloy, Tin Plated

Molded Cable Assemblies

Consult factory for molded options

Other

Recommended Cable O.D. Range:	0.137-0.157 inches [3.5mm-4.0mm]
Recommended Panel Thickness:	0.031-0.187 inches [0.8mm-4.8mm]

PLEASE VISIT WWW.CONXALL.COM FOR THE MOST UP-TO-DATE PRODUCT SPECIFICATIONS.