

4

3

2

1

THIS DRAWING IS UNPUBLISHED. RELEASED FOR PUBLICATION

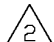
© COPYRIGHT BY TYCO ELECTRONICS CORPORATION. ALL RIGHTS RESERVED.

LOC DIST
G 86

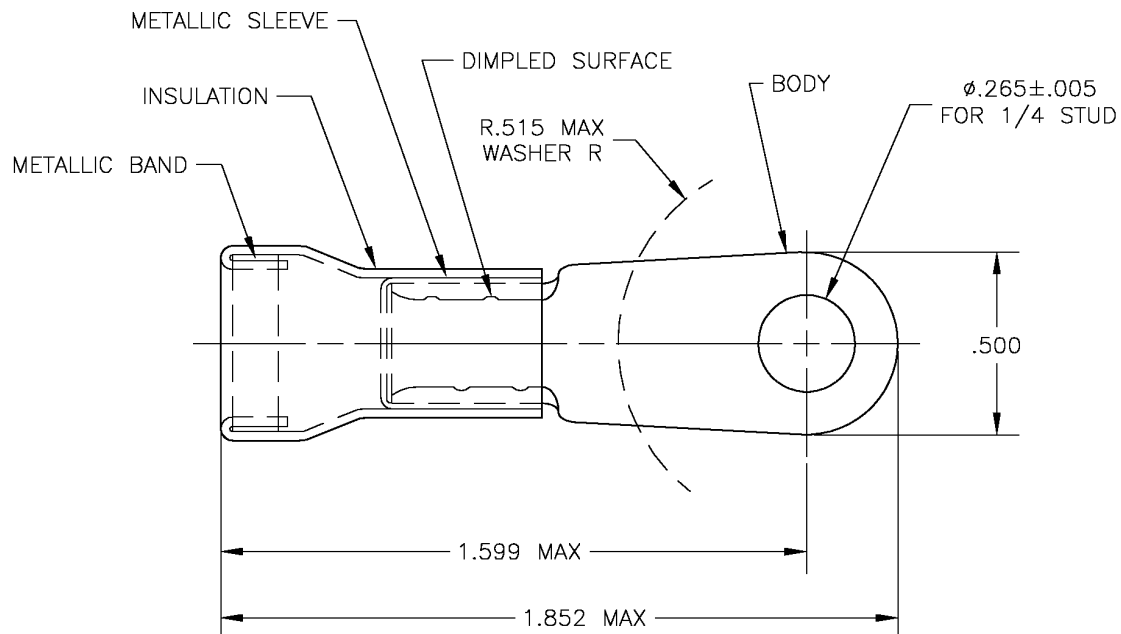
REVISIONS

P	LTR	DESCRIPTION	DATE	DWN	APVD
K		REDRAWN PER OG3A-0400-04	02JUN04	JR	MS


1 TONGUE MATERIAL THICKNESS .045±.003

2  BODY: COPPER PER ASTM B-152
 TIN PER ASTM B-545
 INSULATION: PVC, COLOR - BLUE
 METALLIC SLEEVE: COPPER PER ASTM B-152
 METALLIC BAND: STEEL PER ASTM A109

3 FOR .377 MAX WIRE INSULATION DIA



2-322051-2	1	WIRE TERMINAL	322051
P/N ON TAPE	QTY	DESCRIPTION	PART NO

THIS DRAWING IS A CONTROLLED DOCUMENT.		DWN jr ruth 02JUN04	 Tyco Electronics Corporation Harrisburg, PA 17105	
DIMENSIONS: INCHES		CHK MJ SPICER 02JUN04	NAME TERMINAL, AMPLI-BOND, RING TONGUE WIRE SIZE: 6	
TOLERANCES UNLESS OTHERWISE SPECIFIED:		APVD MJ SPICER 02JUN04	PRODUCT SPEC -	
<ul style="list-style-type: none"> 0 PLC ± - 1 PLC ± - 2 PLC ± - 3 PLC ± .008 4 PLC ± - ANGLES ± 5' 		APPLICATION SPEC -	SIZE A3	CAGE CODE 00779
MATERIAL -	FINISH -	WEIGHT -	DRAWING NO C=322051	RESTRICTED TO -
CUSTOMER DRAWING			SCALE 3:1	SHEET 1 OF 1
			REV K	