

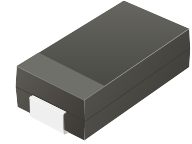
## ES3AB-HF Thru. ES3JB-HF

Reverse Voltage: 50 to 600 Volts

Forward Current: 3 Amp

RoHS Device

Halogen Free



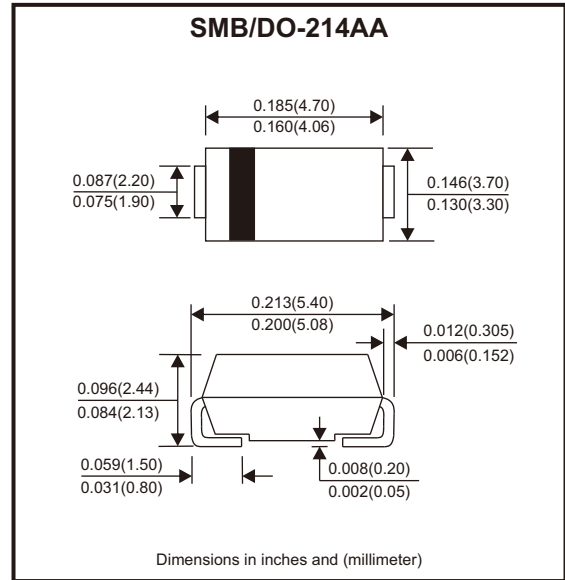
### Features

- For surface mounted applications.
- Low profile package.
- Glass passivated chip junction.
- Super fast reverse recovery time.

### Mechanical data

- Case: SMB
- Terminals: Solderable per MIL-STD-750, method 2026.

### Circuit Diagram



### Maximum Ratings and Electrical Characteristics

Ratings at 25°C ambient temperature unless otherwise specified.  
Single phase, half wave, 60Hz resistive or inductive load, for capacitive load, derate by 20%

Parameter	Symbols	ES3AB -HF	ES3BB -HF	ES3CB -HF	ES3DB -HF	ES3EB -HF	ES3GB -HF	ES3JB -HF	Units
Maximum repetitive peak reverse voltage	V <sub>RRM</sub>	50	100	150	200	300	400	600	V
Maximum RMS voltage	V <sub>RMS</sub>	35	70	105	140	210	280	420	V
Maximum DC blocking voltage	V <sub>DC</sub>	50	100	150	200	300	400	600	V
Maximum average forward rectified current at T <sub>c</sub> = 100°C	I <sub>F(AV)</sub>	3							A
Peak forward surge current, 8.3ms single half sine-wave superimposed on rated load	I <sub>FSM</sub>	90							A
Max. forward voltage at 3A	V <sub>F</sub>	1.0			1.25		1.68		V
Maximum DC reverse current at rated DC blocking voltage	I <sub>R</sub>	5 100							μA
Typical junction capacitance at V <sub>R</sub> = 4V, f = 1MHz	C <sub>j</sub>	45							pF
Maximum reverse recovery time (Note 1)	t <sub>rr</sub>	35							ns
Typical thermal resistance (Note 2)	R <sub>θJA</sub> R <sub>θJC</sub>	50 16							°C/W
Operating and storage temperature range	T <sub>j</sub> , T <sub>stg</sub>	-55 ~ +150							°C

Notes: 1. Measured with I<sub>F</sub> = 0.5A, I<sub>R</sub> = 1A, I<sub>rr</sub> = 0.25A.  
2. P.C.B. mounted with 2.0" x 2.0" (5 x 5 cm) copper pad areas.

Company reserves the right to improve product design, functions and reliability without notice.

REV:A

## Rating and Characteristic Curves (ES3AB-HF Thru. ES3JB-HF)

Fig.1 - Max. Average Forward Current Rating

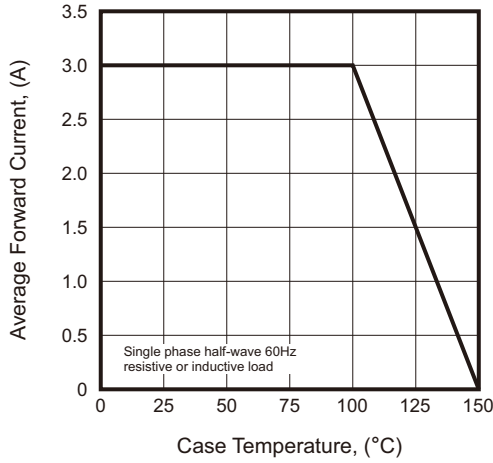


Fig.2 - Typical Reverse Characteristics

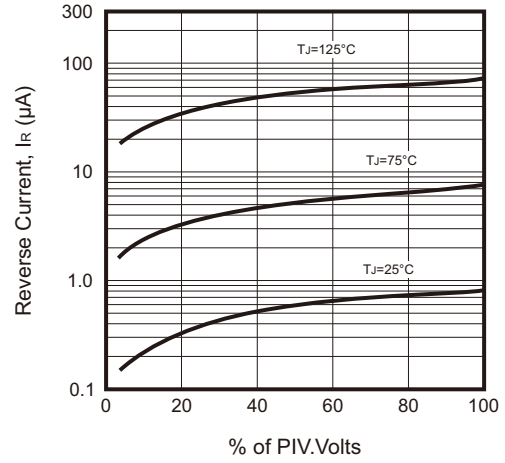


Fig.3 - Typical Forward Characteristic

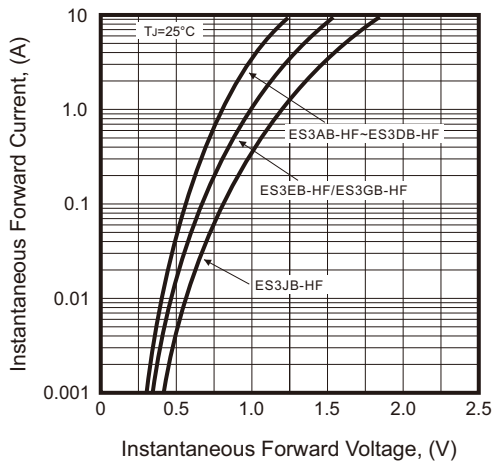


Fig.4 - Typical Junction Capacitance

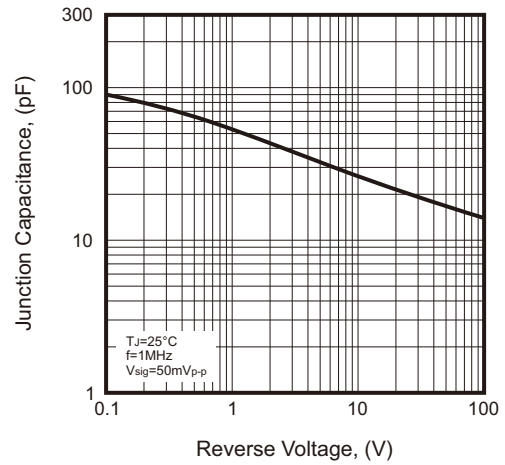
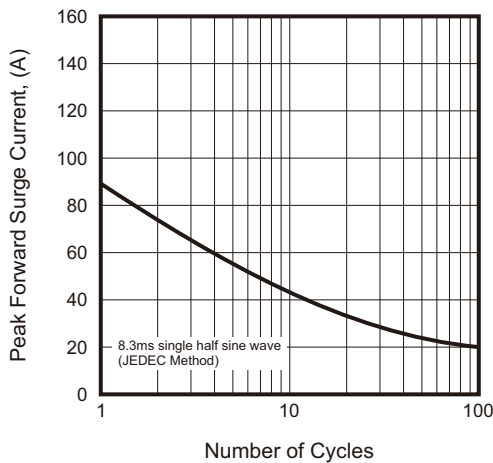
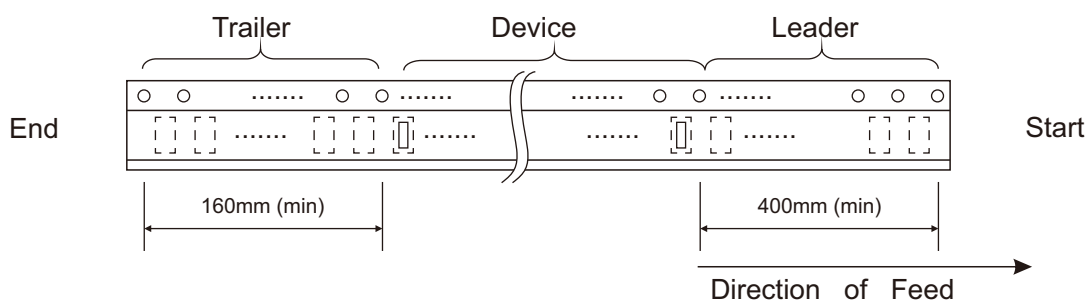
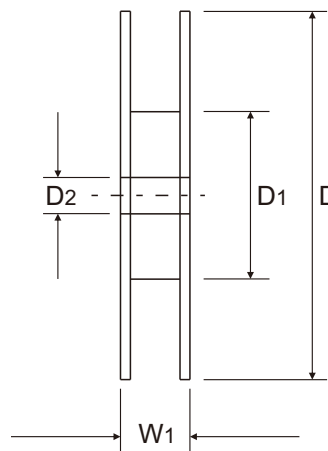
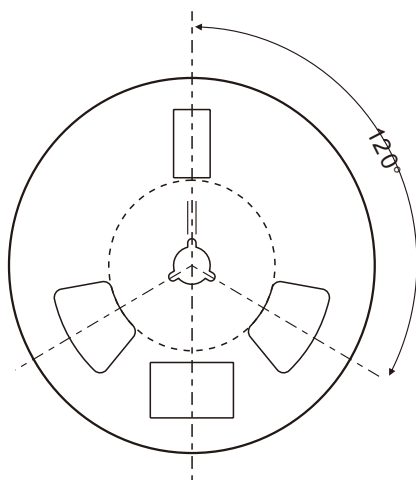
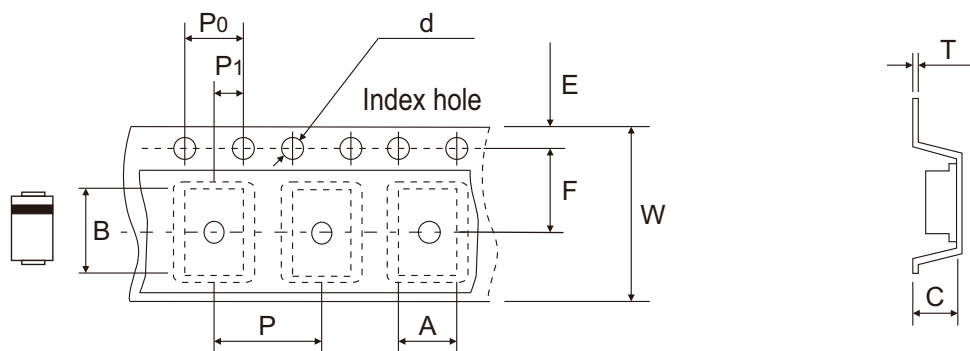


Fig.5 - Maximum Non-Repetitive Peak Forward Surge Current



## Reel Taping Specification



DO-214AA (SMB)	SYMBOL	A	B	C	d	D	D1	D2
	(mm)	3.80 ± 0.10	5.50 + 0.05 - 0.10	2.45 ± 0.05	1.55 ± 0.05	330 ± 2.00	100 ± 1.00	13.00 ± 0.20
	(inch)	0.150 ± 0.004	0.217 + 0.002 - 0.004	0.096 ± 0.002	0.061 ± 0.002	12.992 ± 0.079	3.937 ± 0.039	0.512 ± 0.008

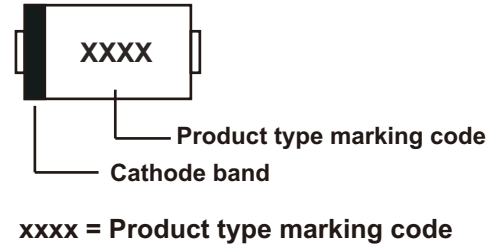
DO-214AA (SMB)	SYMBOL	E	F	P	P0	P1	T	W	W1
	(mm)	1.75 ± 0.10	5.50 ± 0.05	8.00 ± 0.10	4.00 ± 0.10	2.00 ± 0.05	0.25 ± 0.05	12.00 ± 0.15	18.00 + 2.00 - 1.00
	(inch)	0.069 ± 0.004	0.217 ± 0.002	0.315 ± 0.004	0.157 ± 0.004	0.079 ± 0.002	0.010 ± 0.002	0.472 ± 0.006	0.709 + 0.079 - 0.039

Company reserves the right to improve product design, functions and reliability without notice.

REV:A

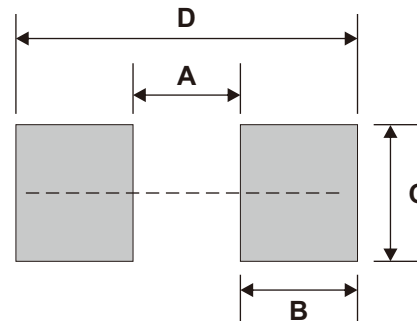
## Marking Code

Part Number	Marking Code
ES3AB-HF	ES3A
ES3BB-HF	ES3B
ES3CB-HF	ES3C
ES3DB-HF	ES3D
ES3EB-HF	ES3E
ES3GB-HF	ES3G
ES3JB-HF	ES3J



## Suggested PAD Layout

SIZE	DO-214AA (SMB)	
	(mm)	(inch)
A	2.20	0.087
B	2.40	0.094
C	2.80	0.110
D	7.00	0.276



Note: 1. The pad layout is for reference purpose only.

## Standard Packaging

Case Type	REEL PACK	
	REEL ( pcs )	Reel Size (inch)
DO-214AA (SMB)	3,000	13