

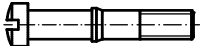


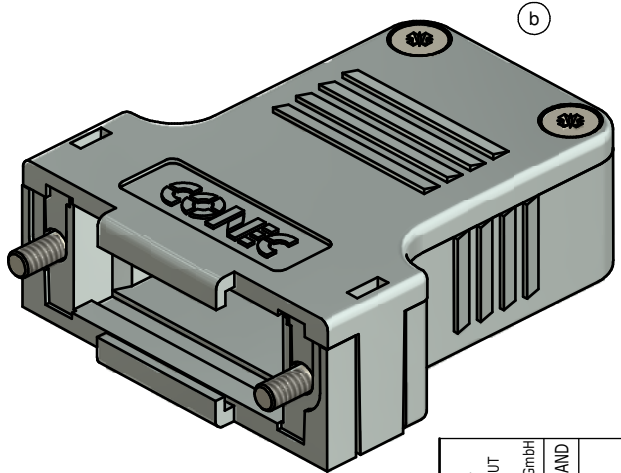


(b)

| | | |
|---|---|---|
|  |  | |
| CABLE STRAIN RELIEF (1x) | LENS HEAD SCREW (2x) | |
|  |  |  |
| SHORT SCREW (2x) | PRESS INSERT (1x) | COVER SCREW (2x) |



(b)


NOTES:

- HOOD + COVER: ABS UL 94 V-0; METALLIZED
- CABLE STRAIN RELIEF: STEEL; NICKEL PLATED
- PRESS INSERT: ABS UL 94 V-0; METALLIZED
- SHORT SCREWS: STEEL; NICKEL PLATED
- COVER SCREWS: STEEL; NICKEL PLATED
- LENS HEAD SCREWS: STEEL; NICKEL PLATED

TECHNICAL DATA:

- TEMPERATURE RANGE: -33 °C to + 90 °C

Directive 2002/95/EC RoHS compliant

| | | | | |
|---|----------------|--------------|---|---|
| THIS DRAWING MAY NOT BE COPIED OR REPRODUCED IN ANY WAY, AND MAY NOT BE PASSED ON TO A THIRD PARTY WITHOUT WRITTEN PERMISSION. OWNERSHIP AND COPYRIGHT OF CONEC GmbH DO NOT ALTER CAD DRAWING BY HAND | tolerance | |  | scale: 2:1 |
| | dim. in mm | | | material: SEE NOTES |
| | date | name | | title: PLASTIC HOOD 15pos. with straight cable exit |
| | drawn 03.09.14 | Unkrüer | | |
| | appd. 03.09.14 | Lehmenkühler | | |
| | norm | | | dwg no: (b) 16K1A3494 |
| d-old 16K2A171A | | | | |
| 3 x b | Ä 5304 | 03.09.2014 | Unkrüer | DIN-A3 |
| a | Original | | | sh: 1 |
| rev. | description | date | name | part no: 165X13479X |

