

2013/09/04 07:40:22 ctanke

DRAWING FOR REFERENCE: This is subject to change without notice

TO
RF

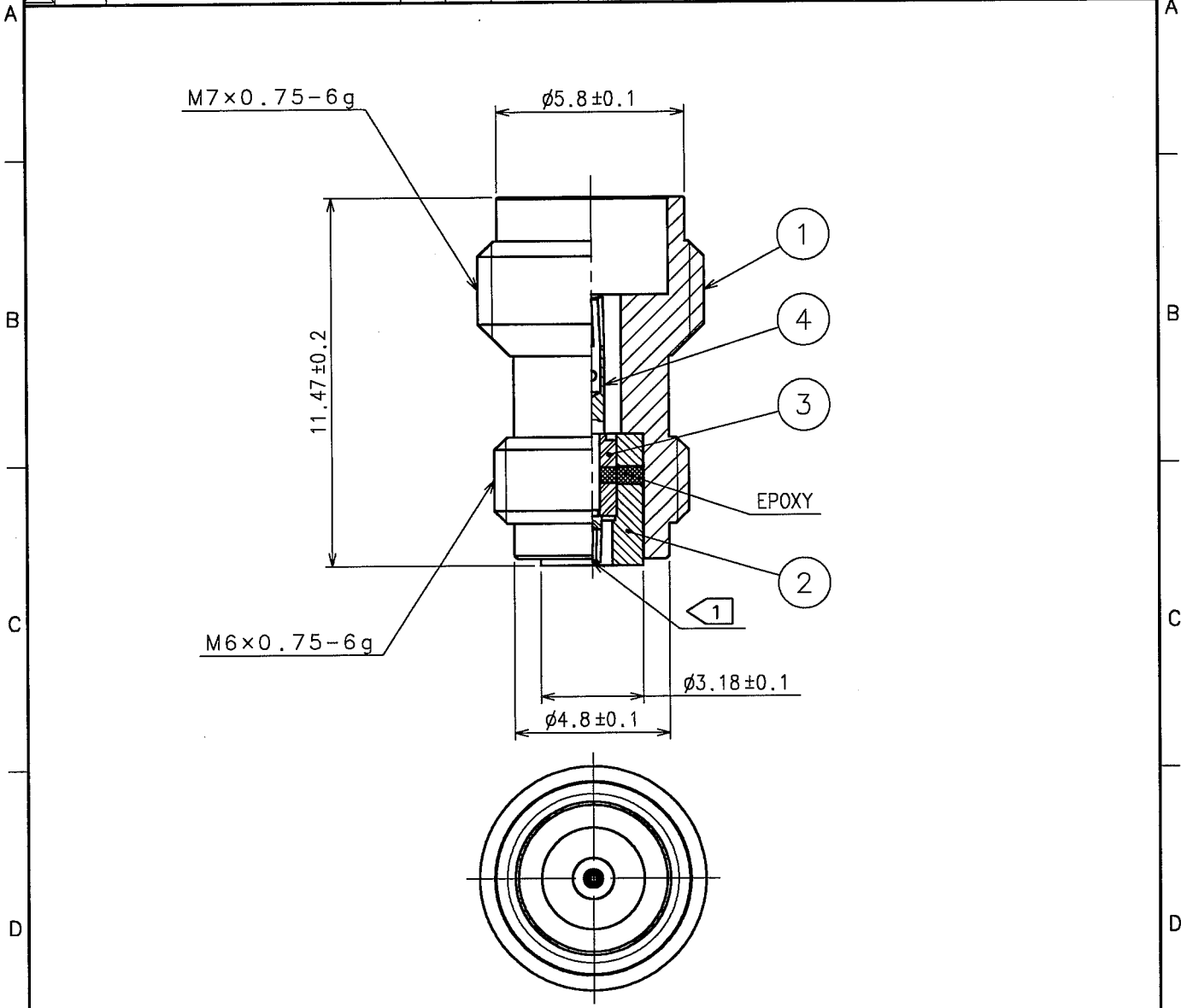
COUNT	DESCRIPTION OF REVISIONS	BY	CHKD	DATE	COUNT	DESCRIPTION OF REVISIONS	BY	CHKD	DATE
Δ					Δ				
Δ					Δ				
APPLICABLE STANDARD									
RATING	OPERATING TEMPERATURE RANGE	-55°C TO +125°C(95%RH MAX)			STORAGE TEMPERATURE RANGE	-55°C TO +125°C(95%RH MAX)			
	POWER	_____ W			CHARACTERISTIC IMPEDANCE	50Ω (0.045 TO 60GHz)			
	PECULIARITY	_____			APPLICABLE CABLE	_____			
SPECIFICATIONS									
ITEM		TEST METHOD			REQUIREMENTS			QT	AT
CONSTRUCTION									
GENERAL EXAMINATION		VISUALLY AND BY MEASURING INSTRUMENT.			ACCORDING TO DRAWING.			○	○
MARKING		CONFIRMED VISUALLY.						-	-
ELECTRIC CHARACTERISTICS									
CONTACT RESISTANCE		1000 mA MAX (DC OR 1000 Hz). (STANDARD FOR MATING PORTION ONLY.)			CENTER CONTACT	4 mΩ MAX.		○	-
					OUTER CONTACT	4 mΩ MAX.		○	-
INSULATION RESISTANCE		250 V DC.			500 MΩ MIN.			○	○
VOLTAGE PROOF		300 V AC FOR 1 min.CURRENT LEAKAGE 2mA MAX.			NO FLASHOVER OR BREAKDOWN.			○	○
VOLTAGE STANDING WAVE RATIO		FREQUENCY 0.045 TO 60 GHz			VSWR : 1.15 MAX.	0.045 - 26.5 GHz		○	○
					VSWR : 1.25 MAX.	26.5 - 50 GHz			
					VSWR : 1.35 MAX.	50 - 60 GHz			
INSERTION LOSS		FREQUENCY _____ GHz			dB MAX.			-	-
MECHANICAL CHARACTERISTICS									
CONTACT INSERTION AND EXTRACTION FORCES		φ0.495 ⁰ _{-0.005} BY STEEL GAUGE.			INSERTION FORCE	N MAX.		-	-
					EXTRACTION FORCE	0.2~2 N.		○	○
INSERTION AND WITHDRAWAL FORCES		MEASURED BY APPLICABLE CONNECTOR.			INSERTION FORCE	N MAX.		-	-
					EXTRACTION FORCE	N MIN.		-	-
MECHANICAL OPERATION		500 TIMES INSERTIONS AND EXTRACTIONS.			① CONTACT RESISTANCE: CENTER CONTACT 6 mΩMAX.CHANGE OUTER CONTACT 6 mΩMAX.CHANGE			○	-
					② NO DAMAGE, CRACK AND LOOSENESS OF PARTS.				
VIBRATION		FREQUENCY 10 TO 2000 Hz SINGLE AMPLITUDE 0.75 mm, 196 m/s ² AT 12 CYCLES FOR 3 DIRECTIONS.			① NO ELECTRICAL DISCONTINUITY OF 1 μs.			○	-
					② NO DAMAGE, CRACK AND LOOSENESS OF PARTS.				
SHOCK		980 m/s ² DIRECTIONS OF PULSE 6 ms AT 3 TIMES FOR 3 DIRECTIONS.						○	-
CABLE CLAMP ROBUSTNESS (AGAINST CABLE PULL)		APPLYING A PULL FORCE THE CABLE AXIALLY AT N MAX.			① NO WITHDRAWAL AND BREAKAGE OF CABLE.			-	-
					② NO BREAKAGE OF CLAMP.				
ENVIRONMENTAL CHARACTERISTICS									
DAMP HEAT,CYCLIC		EXPOSED AT -10 TO +65 °C, 90~98 % TOTAL 10 CYCLES (240 h)			① INSULATION RESISTANCE: 100 MΩ MIN. (AT HIGH HUMIDITY)			○	-
					② INSULATION RESISTANCE: 500 MΩ MIN. (AT DRY)				
					③ NO DAMAGE, CRACK AND LOOSENESS OF PARTS.				
RAPID CHANGE OF TEMPERATURE		TEMPERATURE -65 → — → +125 → — °C TIME 30 → 3 → 30 → 3 min. UNDER 5 CYCLES.			NO DAMAGE, CRACK AND LOOSENESS OF PARTS.			○	-
CORROSION SALT MIST		EXPOSED IN 5 % SALT WATER SPRAY FOR 48 h.			NO HEAVY CORROSION.			○	-
REMARKS									
NOTE		DRAWN		DESIGNED		CHECKED		APPROVED	
MEASURING METHOD		N. Asana		N. Asane		J. Mitani		Kobayashi	
		'03.4.14		'03.4.14		'03.4.14		'03.04.15	
Unless otherwise specified, refer to MIL-STD-202.									
Note QT:Qualification Test AT:Assurance Test O:Applicable Test									
HRS HIROSE ELECTRIC CO., LTD.				SPECIFICATION SHEET			PART NO.		
							HV-BR01		
CODE NO.(OLD)		DRAWING NO.		PART NO.					
CL396-6555-6		ELC4-300258		CL338-0200-7					
						1/1			

RF

2013/09/04 07:40:22 ctanke

DRAWING FOR REFERENCE: This is subject to change without notice

1		2			3			4		
COUNT	DESCRIPTION OF REVISIONS	BY	CHKD	DATE	COUNT	DESCRIPTION OF REVISIONS	BY	CHKD	DATE	
△					△					
△					△					
△					△					
△					△					



NOTE 1 PIN OD. $\phi 0.23$ HERMETIC SEAL APPLIES TO THIS CONNECTOR.

2 ASSEMBLED BLOCK CONSISTING REF. NO. 234 IS AN ATTACHED PRODUCT. REF. NO. 1 SHALL BE IN PAIR WITH ATTACHED ASSEMBLED BLOCK.

2	STAINLESS STEEL	GOLD PLATING	4	BERYLLIUM COPPER	GOLD PLATING
1	STAINLESS STEEL	PASSIVATE	3	PTFE	
NO.	MATERIAL	FINISH, REMARKS	NO.	MATERIAL	FINISH, REMARKS

CODE NO. (OLD) CL396-6555-6		DRAWN N. ASANO '03.4.14	DESIGNED N. ASANO '03.4.14	CHECKED J. NITANI '03.4.14	APPROVED Y. KOBAYASHI '03.04.15	RELEASED
DRAWING NO. EDC4-300258		PART NO. HV-BR01				
SCALE 5 : 1		CODE NO. CL338-0200-7				1/1
UNITS mm		HRS HIROSE ELECTRIC CO., LTD.				

TO
RF

