

# VS-FP-SD-D-RJ456A-BUBU - Front plate



1054542

<https://www.phoenixcontact.com/us/products/1054542>

Please be informed that the data shown in this PDF document is generated from our online catalog. Please find the complete data in the user documentation. Our general terms of use for downloads are valid.



Grounding contact socket, plastic, for Germany, including RJ45 gender changer (female/female, shielded), CAT6A

## Commercial data

Item number	1054542
Packing unit	1 pc
Minimum order quantity	1 pc
Sales key	BF70
Product key	BF7EBX
Catalog page	Page 713 (C-2-2019)
GTIN	4055626690438
Weight per piece (including packing)	93.8 g
Weight per piece (excluding packing)	93.8 g
Customs tariff number	85366990
Country of origin	LV

# VS-FP-SD-D-RJ456A-BUBU - Front plate



1054542

<https://www.phoenixcontact.com/us/products/1054542>

## Technical data

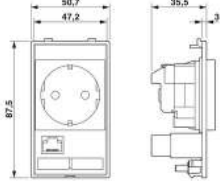
### Product properties

Product type	Data front plate
Number of positions	8
Country ID	Germany

### Electrical properties

Rated voltage (III/3)	250 V (Socket)
	max. 30 V AC (RJ45)
	max. 42.4 V DC (RJ45)
Rated current	16 A (Socket)
Transmission speed	10 Gbps

### Dimensions

Dimensional drawing	
Width	50.7 mm
Height	43 mm
Length	87.5 mm

### Material specifications

Material	Zinc die-cast, nickel-plated
	PBT
	PC

### Connector

Contact insert design	with 1x RJ45 Socket/socket, Cat 6, classEA (ISO/IEC 11801:2002), (EN 50173-1)
-----------------------	---

### Mechanical properties

#### Mechanical data

Insertion/withdrawal cycles	>= 750 (RJ45)
-----------------------------	---------------

### Environmental and real-life conditions

#### Ambient conditions

Degree of protection	IP20 (Front)
Ambient temperature (operation)	-5 °C ... 50 °C

# VS-FP-SD-D-RJ456A-BUBU - Front plate



1054542

<https://www.phoenixcontact.com/us/products/1054542>

## Mounting

Assembly instructions	Shroud connection: M4 threaded pin, tightening torque: 0.8 Nm .. . 1.0 Nm
Connection method	Spring-cage connection

# VS-FP-SD-D-RJ456A-BUBU - Front plate

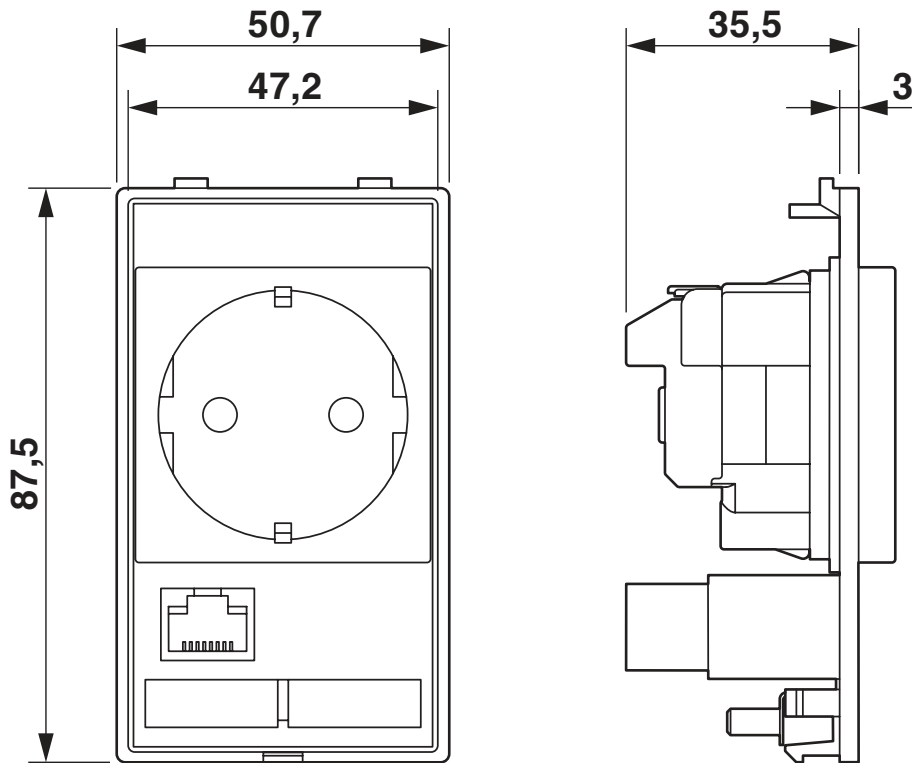


1054542

<https://www.phoenixcontact.com/us/products/1054542>

## Drawings

Dimensional drawing



Dimensional drawing

# VS-FP-SD-D-RJ456A-BUBU - Front plate



1054542

<https://www.phoenixcontact.com/us/products/1054542>

## Approvals

To download certificates, visit the product detail page: <https://www.phoenixcontact.com/us/products/1054542>



**EAC**

Approval ID: RU C-DE.BL08.B.00286

# VS-FP-SD-D-RJ456A-BUBU - Front plate



1054542

<https://www.phoenixcontact.com/us/products/1054542>

## Classifications

### ECLASS

ECLASS-11.0	27182806
ECLASS-12.0	27182806
ECLASS-13.0	27182806

### ETIM

ETIM 8.0	EC000456
----------	----------

### UNSPSC

UNSPSC 21.0	39121300
-------------	----------

# VS-FP-SD-D-RJ456A-BUBU - Front plate



1054542

<https://www.phoenixcontact.com/us/products/1054542>

## Environmental product compliance

China RoHS	Environmentally friendly use period: unlimited = EFUP-e
	No hazardous substances above threshold values

# VS-FP-SD-D-RJ456A-BUBU - Front plate

1054542

<https://www.phoenixcontact.com/us/products/1054542>



## Accessories

### VS-ES-100-6 - Grounding material

1055164

<https://www.phoenixcontact.com/us/products/1055164>



Ground strap, length: 100 mm, for M4 screws

---

### VS-GC-RJ456A-BUBU - Connector

1055552

<https://www.phoenixcontact.com/us/products/1055552>



Gender changer, RJ45 CAT6A, female/female, shielded



## VS-FP-SD-D-RJ456A-BUBU - Front plate

1054542

<https://www.phoenixcontact.com/us/products/1054542>



## VS-GC-USBA3-A-BUBU - Connector

1055554

<https://www.phoenixcontact.com/us/products/1055554>



Gender changer, USB 3.0, type: A, female/female

---

## VS-SI-BZ - Marker labels

1656660

<https://www.phoenixcontact.com/us/products/1656660>



Marker label, plastic, plate with 20 labels

# VS-FP-SD-D-RJ456A-BUBU - Front plate



1054542

<https://www.phoenixcontact.com/us/products/1054542>

## UCT-EM (20X7) - Snap-in markers

0801494

<https://www.phoenixcontact.com/us/products/0801494>



Snap-in markers, Sheet, white, unlabeled, can be labeled with: TOPMARK NEO, TOPMARK LASER, BLUEMARK ID COLOR, BLUEMARK ID, BLUEMARK CLED, THERMOMARK PRIME, THERMOMARK CARD 2.0, THERMOMARK CARD, mounting type: snapped, lettering field size: 20 x 7 mm, Number of individual labels: 24

---

## UC-EM (20X7) - Snap-in markers

0825499

<https://www.phoenixcontact.com/us/products/0825499>



Snap-in markers, Sheet, white, unlabeled, can be labeled with: BLUEMARK ID COLOR, BLUEMARK ID, BLUEMARK CLED, PLOTMARK, CMS-P1-PLOTTER, mounting type: snapped, lettering field size: 20 x 7 mm, Number of individual labels: 20

---

Phoenix Contact 2023 © - all rights reserved  
<https://www.phoenixcontact.com>

Phoenix Contact USA  
586 Fulling Mill Road  
Middletown, PA 17057, United States  
(+717) 944-1300  
[info@phoenixcon.com](mailto:info@phoenixcon.com)