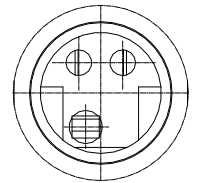
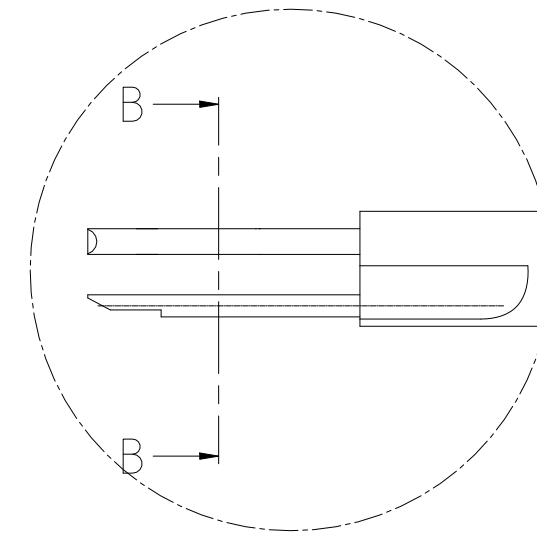
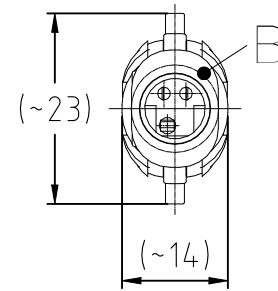
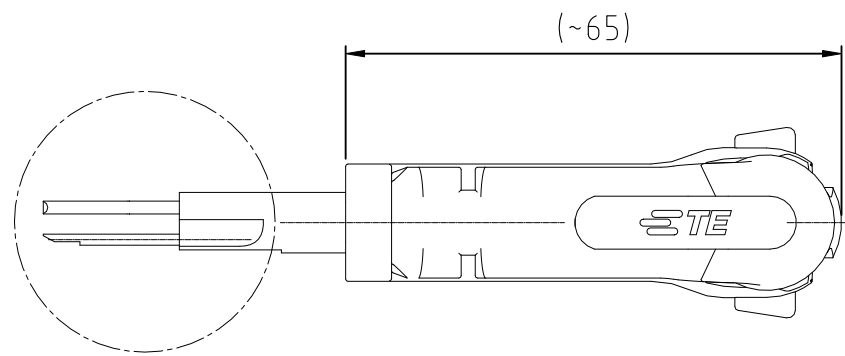


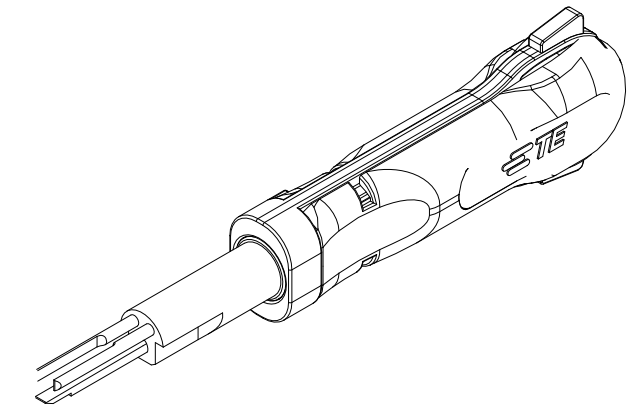
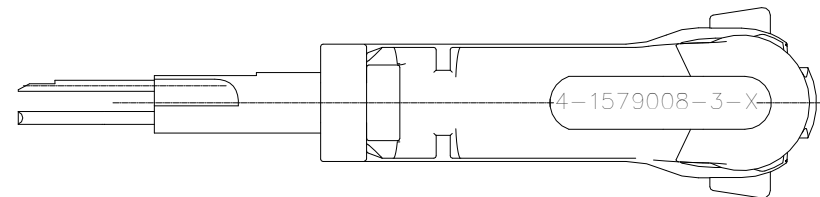
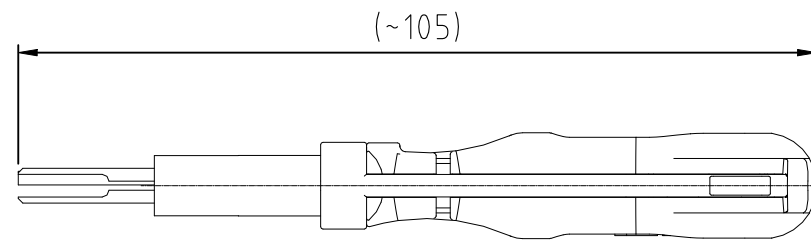
P	LTR	DESCRIPTION	DATE	DWN	APVD
	B	ECR-23-170729	16MAR2023	DK	MB



A


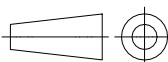
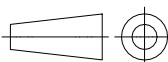
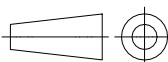
A
2:1

B
2:1



FOR CONTACTS / HOUSINGS:

SPT (in relay holder)

THIS DRAWING IS A CONTROLLED DOCUMENT.		DWN m.pearson 06.11.2006	 TE Connectivity																				
<table border="1"> <tr> <th>DIMENSIONS:</th> <th>TOLERANCES UNLESS OTHERWISE SPECIFIED:</th> </tr> <tr> <td>mm</td> <td></td> </tr> <tr> <td></td> <td>0 PLC ± -</td> </tr> <tr> <td></td> <td>1 PLC ± -</td> </tr> <tr> <td></td> <td>2 PLC ± -</td> </tr> <tr> <td></td> <td>3 PLC ± -</td> </tr> <tr> <td></td> <td>4 PLC ± -</td> </tr> <tr> <td></td> <td>ANGLES ± -</td> </tr> <tr> <td></td> <td>FINISH ± -</td> </tr> </table>		DIMENSIONS:				TOLERANCES UNLESS OTHERWISE SPECIFIED:	mm			0 PLC ± -		1 PLC ± -		2 PLC ± -		3 PLC ± -		4 PLC ± -		ANGLES ± -		FINISH ± -	CHK G. Stegmayer 26AUG2016
DIMENSIONS:	TOLERANCES UNLESS OTHERWISE SPECIFIED:																						
mm																							
	0 PLC ± -																						
	1 PLC ± -																						
	2 PLC ± -																						
	3 PLC ± -																						
	4 PLC ± -																						
	ANGLES ± -																						
	FINISH ± -																						
MATERIAL		APVD G. Stegmayer 26AUG2016	EXTRACTION TOOL Entriegelungswerkzeug																				
		PRODUCT SPEC	SIZE	CAGE CODE	DRAWING NO																		
		APPLICATION SPEC	A3	00779	C-4-1579008-3																		
		WEIGHT	RESTRICTED TO																				
		0,010kg	-																				
CUSTOMER DRAWING			SCALE	SHEET	REV																		
			1:1	1 OF 1	B																		