

Full Length Blanking Shade

PANDUIT®

SPECIFICATION SHEET

specifications

The full length blanking shade shall blank out as few as four rack units, or as many as 51 consecutive rack units. The upper housing of the full length blanking shade shall contain a rolled fabric material secured to a spring roller and be designed for installation in the upper rack units of the rack or cabinet. The bottom handle of the adjustable shade can then be secured to the appropriate rack unit using sliding latches to blank out the desired number of rack units. Hand tools shall not be required for installation.



technical information

Standards:	Suitable for 19.00" width (482.6mm) vertical mounting rails that meet CEA-310-E standards; vinyl laminate material meets ASTM D6413
Compatibility:	Solution suitable for 0.38" (9.5mm) square or #10 (M5) and #12 (M6) round tapped holes typically found in EIA vertical mounting rails
Temperature range:	0°C to 50°C (32°F to 122°F) continuous; 70°C (158°F) intermittent
Electrostatic dissipative (ESD):	Surface resistivity is 3.0 x 10 ⁴ ohms per unit square
RoHS compliance:	Compliant

key features and benefits

Spring roller with retractable fabric material	Allows fabric to be retracted and stored within its own housing; reduces space required to store blanking products
Impermeable fabric	Minimizes bypass airflow through consecutive open rack units; separates the hot aisle from the cold aisle to help decrease energy costs
Component installation behind vertical mounting rails	Reduces the chance of hot exhaust air from re-circulating to the front (intake) of the network equipment, preventing overheating of active network equipment
Thumb screw installation for top housing	Allows for efficient installation of the main housing; thumb screws eliminate the need for tools and also provides a very secure means of mounting
Latch design for bottom pull	Allows for quick and easy deployment and retraction of the blanking material
ESD materials	Reduce the chance of corrupting network equipment
Variable floating fasteners/locator pins	Allow for variability in horizontal spacing of vertical mounting rails
Replaceable Hole Pins	Allows installation of the same part number on vertical mounting rails with either square or round tapped holes
Shade locator guide in housing	Forces fabric material to contact vertical mounting rail to improve sealing capabilities

applications

The full length blanking shade is designed to provide a blanking solution for racks and cabinets that have a large number of consecutive open rack units. The full length blanking shade is designed to be adjustable so when new cabinets are put in place, or when equipment is being serviced, the shade can be deployed to easily and efficiently blank out unused rack units. An impermeable fabric

material coiled on a spring roller can be deployed or retracted to accommodate the required open rack units. A latch design, on the bottom handle, allows easy installation on the vertical mounting rails of most standard racks and cabinets. The blanking shade provides an easy solution to reduce bypass air; thereby, decreasing energy costs.

www.panduit.com

Full Length Blanking Shade

Full length blanking shade to blank out 4 – 51 consecutive rack units: FLBSIM-51

Tool-Less Blanking Panels

1 RU x 19" (483mm) width for 3/8" square holes:
Black: TLBP1S-V
White: TLBP1S-V10

2 RU x 19" (483mm) width for 3/8" square holes:
Black: TLBP2S-V
White: TLBP2S-V10

1 RU x 19" (483mm) width for round tapped holes:
Black: TLBP1R-V
White: TLBP1R-V10

2 RU x 19.00" (483mm) width for round tapped holes:
Black: TLBP2R-V
White: TLBP2R-V10

1 RU x 19.0" (483mm) width for 3/8" square holes; includes pass-through area:
Black: TLBPBPT1S

Cool Boot® Grommets (New Installations)

6" x 8" (152 x 203mm):	RFG6X8Y
8" x 8" (203 x 203mm):	RFG8X8Y
10" x 8" (254 x 203mm):	RFG10X8Y
12" x 8" (305 x 203mm):	RFG12X8Y
12" x 4" (305 x 102mm):	RFG12X4Y
4.50" diameter (114.3mm):	RFG3DY
6.50" diameter (165.1mm):	RFG5DY

Cool Boot® Grommets (Retrofit Applications)

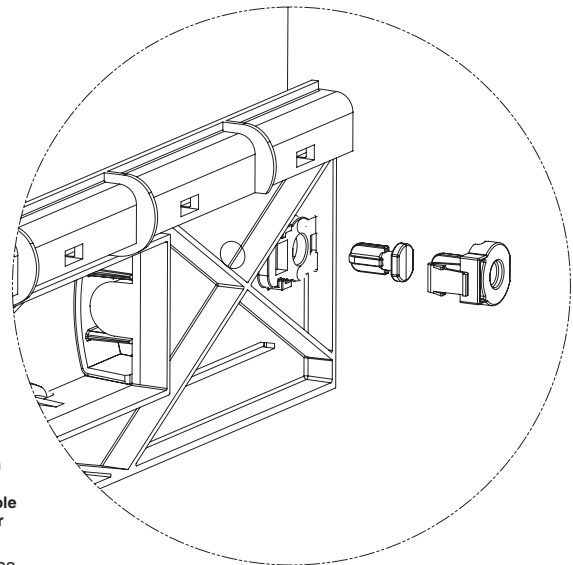
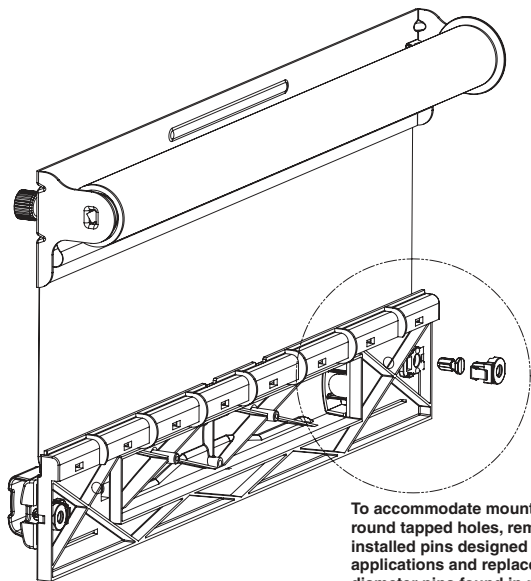
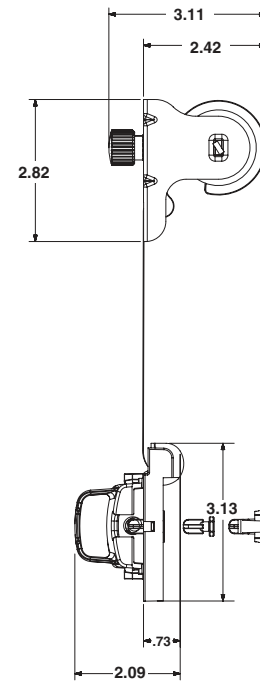
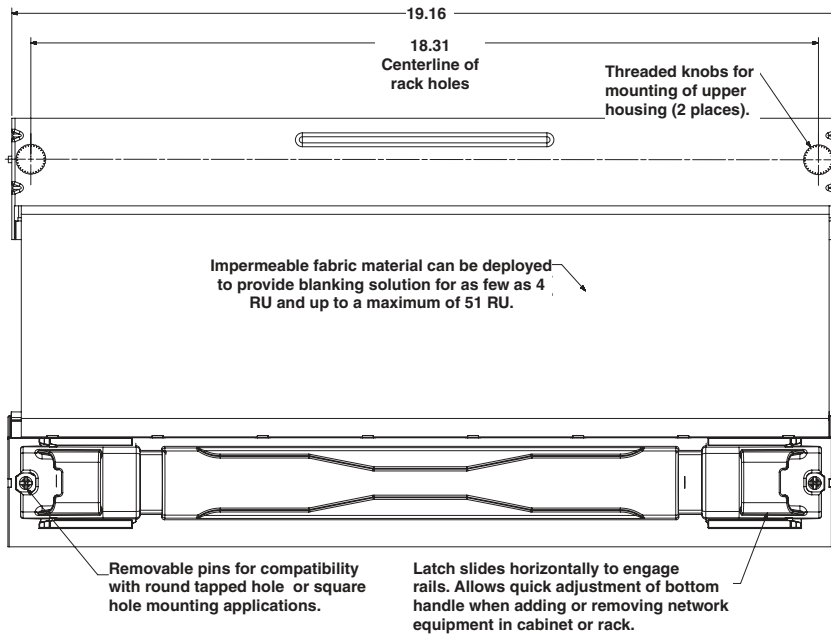
6" x 8" (152 x 203mm):	RFG6X8SMY
8" x 8" (203 x 203mm):	RFG8X8SMY
10" x 8" (254 x 203mm):	RFG10X8SMY
12" x 8" (305 x 203mm):	RFG12X8SMY
12" x 4" (305 x 102mm):	RFG12X4SMY
4.50" diameter (114.3mm):	RFG3DSMY
6.50" diameter (165.1mm):	RFG5DSMY

See Cool Boot® Raised Floor Air Sealing Grommet: WASP42–WW-ENG.

Full Length Blanking Shade

ordering information

Part Number	Description	Std. Pkg. Qty	Std. Ctn. Qty.
FLBSIM-51	Full length blanking shade blanks out 4 – 51 consecutive rack units on standard 19.00" (482.6mm) wide vertical mounting rails; black.	1	1



Dimensions are in inches.

WORLDWIDE SUBSIDIARIES AND SALES OFFICES

PANDUIT CANADA
Markham, Ontario
cs-cdn@panduit.com
Phone: 800.777.3300

PANDUIT EUROPE LTD.
London, UK
cs-emea@panduit.com
Phone: 44.20.8601.7200

PANDUIT SINGAPORE PTE. LTD.
Republic of Singapore
cs-ap@panduit.com
Phone: 65.6305.7575

PANDUIT JAPAN
Tokyo, Japan
cs-japan@panduit.com
Phone: 81.3.6863.6000

PANDUIT LATIN AMERICA
Guadalajara, Mexico
cs-la@panduit.com
Phone: 52.33.3777.6000

PANDUIT AUSTRALIA PTY. LTD.
Victoria, Australia
cs-aus@panduit.com
Phone: 61.3.9794.9020

For a copy of Panduit product warranties, log on to www.panduit.com/warranty

For more information

Visit us at www.panduit.com

Contact Customer Service by email: cs@panduit.com
or by phone: 800.777.3300

PANDUIT[®]

©2016 Panduit Corp.
ALL RIGHTS RESERVED.
RKSP148--WW-ENG
Replaces RKSP137--WW-ENG
2016-09-16