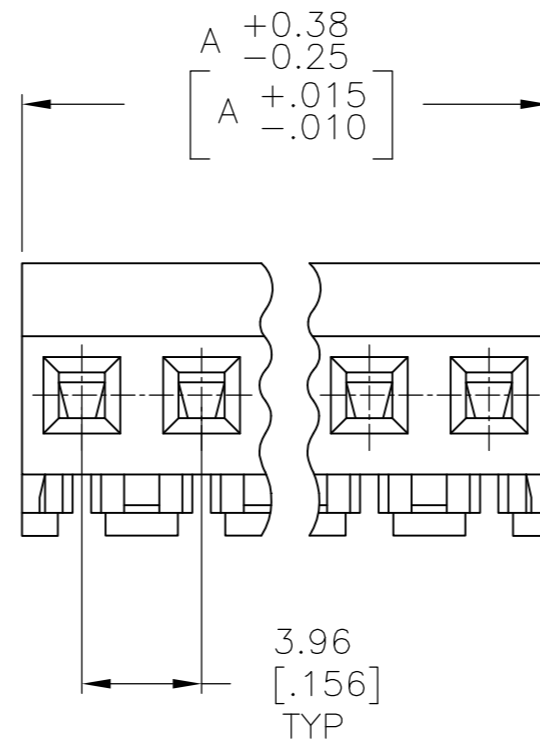
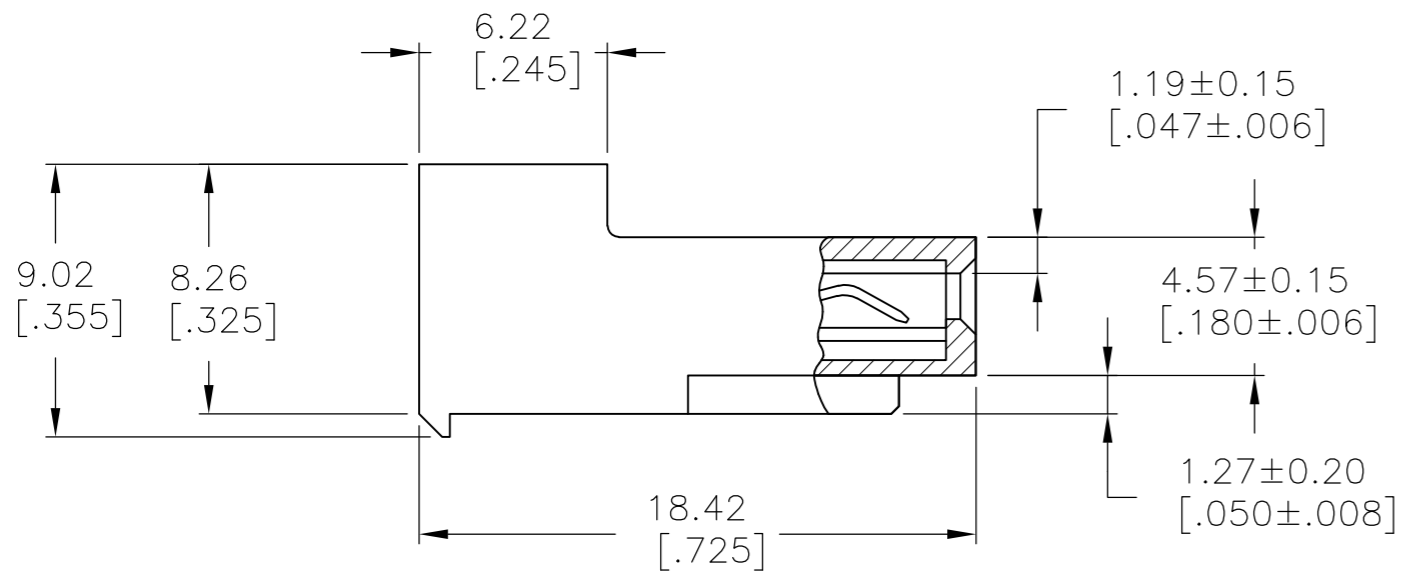
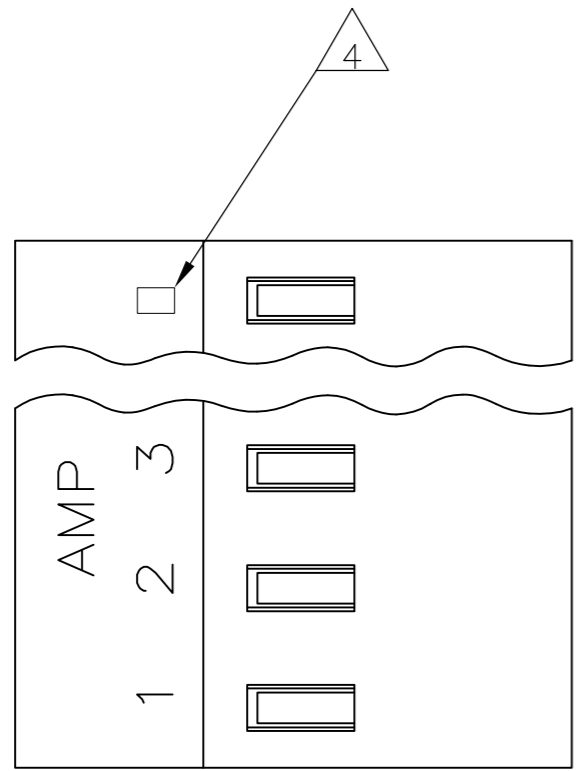


THIS DRAWING IS UNPUBLISHED. RELEASED FOR PUBLICATION  
 © COPYRIGHT - By - TE CONNECTIVITY ALL RIGHTS RESERVED.

LOC		DIST		REVISIONS			
P	LTR	DESCRIPTION	DATE	DWN	APVD		
CM	00	N	REVISED PER ECR-20-000826	29MAY2020	PC	SW	



1 MATERIAL: CONNECTOR - NYLON UL94V-2 (BLUE).  
 CONTACTS - 0.30[.012] THICK COPPER ALLOY  
 0.00076[.000030] GOLD THK OR 0.00008[.000003] MIN THK  
 GOLD FLASH OVER 0.00068[.000027] THK PALLADIUM NICKEL, PER  
 TE CONNECTIVITY'S DISCRETION. IN CONTACT  
 AREA WITH BRIGHT TIN-LEAD FOR 641226-2  
 THRU 2-641226-4, MATTE WHISKER MITIGATED  
 TIN FOR 3-641226-2 THRU 5-641226-4 OVER  
 NICKEL UNDERPLATE.

2 CONTACTS ACCEPT 26 AWG WIRE WITH 2.41[.095] MAX  
 INSULATION DIAMETER.

3 CONTACTS MUST ACCEPT 1.14±0.03 [.045±.001] SQUARE  
 POST AND REMAIN LOCKED IN POSITION.

4 IDENTIFICATION NUMBER FOR LAST CIRCUIT MAY  
 NOT APPEAR ON ALL ASSEMBLIES.

5 DIMENSIONS IN BRACKETS ARE IN INCHES.

6 HOUSING FEATURES ARE: CLOSED END WITHOUT  
 LOCKING RAMP.

7 OBSOLETE PARTS: OBSOLETE CIS STREAMLINING PER D.RENAUD/D.SINISI

DIM A	NO OF CIRCUITS	PART NO
95.10 [3.744]	24	5-641226-4
91.14 [3.588]	23	5-641226-3
87.17 [3.432]	22	5-641226-2
83.21 [3.276]	21	5-641226-1
79.25 [3.120]	20	5-641226-0
75.29 [2.964]	19	4-641226-9
71.32 [2.808]	18	4-641226-8
67.36 [2.652]	17	4-641226-7
63.40 [2.496]	16	4-641226-6
59.44 [2.340]	15	4-641226-5
55.47 [2.184]	14	4-641226-4
51.51 [2.028]	13	4-641226-3
47.55 [1.872]	12	4-641226-2
43.59 [1.716]	11	4-641226-1
39.62 [1.560]	10	4-641226-0
35.66 [1.404]	9	3-641226-9
31.70 [1.248]	8	3-641226-8
27.74 [1.092]	7	3-641226-7
23.77 [.936]	6	3-641226-6
19.81 [.780]	5	3-641226-5
15.85 [.624]	4	3-641226-4
11.89 [.468]	3	3-641226-3
7.92 [.312]	2	3-641226-2
95.10 [3.744]	24	2-641226-4
91.14 [3.588]	23	2-641226-3
87.17 [3.432]	22	2-641226-2
83.21 [3.276]	21	2-641226-1
79.25 [3.120]	20	2-641226-0
75.29 [2.964]	19	1-641226-9
71.32 [2.808]	18	1-641226-8
67.36 [2.652]	17	1-641226-7
63.40 [2.496]	16	1-641226-6
59.44 [2.340]	15	1-641226-5
55.47 [2.184]	14	1-641226-4
51.51 [2.028]	13	1-641226-3
47.55 [1.872]	12	1-641226-2
43.59 [1.716]	11	1-641226-1
39.62 [1.560]	10	1-641226-0
35.66 [1.404]	9	-641226-9-
31.70 [1.248]	8	-641226-8-
27.74 [1.092]	7	641226-7
23.77 [.936]	6	641226-6
19.81 [.780]	5	641226-5
15.85 [.624]	4	641226-4
11.89 [.468]	3	641226-3
7.92 [.312]	2	641226-2

7 SUPERCEDED

OBSOLETE

OBSOLETE

7 SUPERCEDED

THIS DRAWING IS A CONTROLLED DOCUMENT.		DWN B. LEWIS 12 FEB 91	TE Connectivity	
DIMENSIONS: mm [INCHES]		CHK R. SWING 12 FEB 91	MTA-156 CONNECTOR ASSEMBLY 26 AWG, STANDARD	
TOLERANCES UNLESS OTHERWISE SPECIFIED: 0 PLC ± - 1 PLC ± - 2 PLC ± - 3 PLC ± 0.13 [.005] 4 PLC ± - ANGLES ± -		APVD D. CLARK 20 FEB 91	RESTRICTED TO	
MATERIAL 1		FINISH 1	SIZE A2	CAGE CODE 00779
CUSTOMER DRAWING		WEIGHT	DRAWING NO C-641226	SCALE 4:1
			SHEET 1 OF 1	REV N