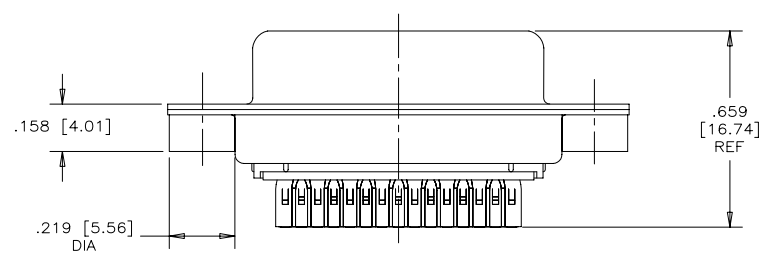
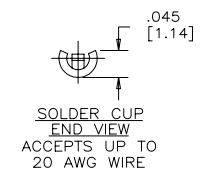
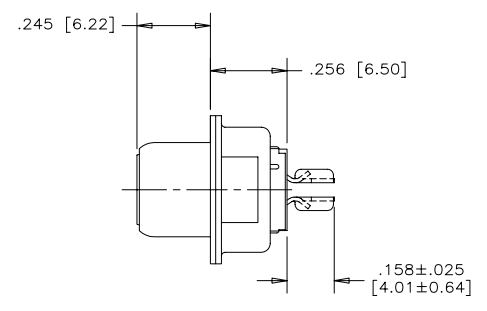
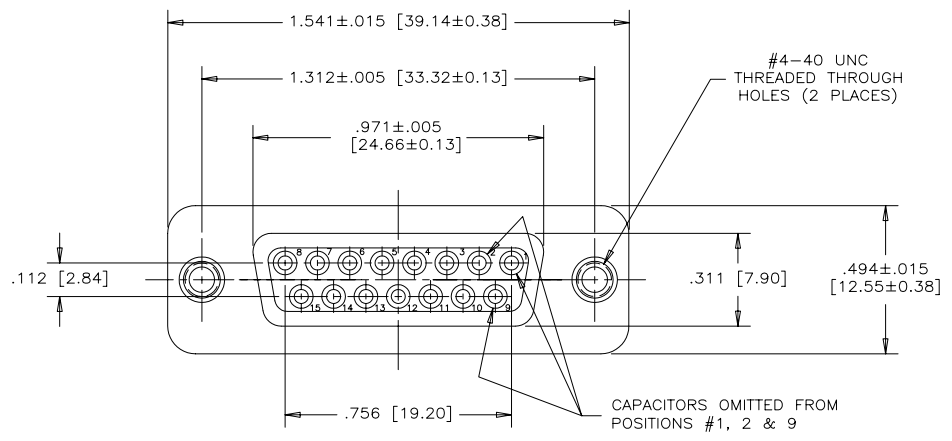
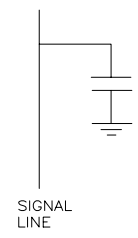


REVISIONS			
REV	ECN, ERN NO.	DATE	APPRD.
A	PRODUCT DRAWING (EAR 13474)	FEB10/09	K.L.



CAPACITANCE SCHEMATIC FOR POSITONS #3 TO 8 AND #10 TO 15 ONLY



NOTES:

- MATERIALS: ALL MATERIALS ARE RoHS COMPLIANT.
 - SHELL: STEEL, TIN PLATED
 - CONTACTS: PHOSPHOR BRONZE, PLATED WITH 15µ" [0.38 MICRONS] GOLD OVER 50µ" [1.27 MICRONS] MINIMUM NICKEL IN THE MATING AREA AND 100µ" [2.54 MICRONS] MINIMUM MATTE TIN ON THE TAILS.
 - INSULATOR: ENGINEERING THERMOPLASTIC, GLASS REINFORCED, UL FLAMMABILITY RATING 94V-0, COLOUR: BLACK
- CONTACT RESISTANCE: 15 MILLIOHMS MAXIMUM
- INSULATION RESISTANCE: 3000 MEGOHMS MINIMUM
- CURRENT RATING: 5 AMPS MAXIMUM
- CAPACITANCE: 1,000 pF ±15% (12 PLACES)
- DIELECTRIC WITHSTANDING VOLTAGE: 600 VDC
- OPERATING TEMPERATURE: -40°C TO 85°C
- TOLERANCE UNLESS INDICATED OTHERWISE: ±.005 [0.13]

ORDERING CODE: F C E 1 7 - A 1 5 S M - 4 5 1

- SERIES**
FCE17=FILTERED D-SUB, RoHS
- SIZE/NUMBER OF CONTACTS**
A15=A SIZE SHELL, 15 CONTACTS
- CONNECTOR STYLE**
S=SOCKET
- TERMINATION TYPE**
M=SOLDER CUP CONTACT TAIL
- MODIFIER**
1=SPECIAL SELECTIVELY POSITIONED CAPACITORS, OMITTED FROM POSITIONS #1, 2 & 9
- FILTER CAPACITANCE**
5=1000pF
REFER TO AMPHENOL CATALOGUE FOR FILTER PERFORMANCE CHARACTERISTICS
- MOUNTING**
4=#4-40UNC THREADED HOLES

DRAWN K. LAMBIE	DATE FEB10/09
DESIGNED	
CHECKED	
I. E. APPRD.	
Q. A. APPRD.	
DWG. APPRD.	
ENG. REL. NO.	
REF. EAR #13474	
DIMENSIONS ARE IN INCHES [mm]	CODE ID. NO. 03554

Amphenol Canada Corp.	
FCE17 SERIES FILTERED D-SUB CONNECTOR, 15 SIZE SOCKET, SOLDER CUP CONTACTS, SELECTIVELY POSITIONED CAPACITORS, #4-40 MOUNTING HOLES, RoHS COMPLIANT	
DWG C	DRAWING NO. P-FCE17-A15SM-451
REV. A	
SCALE 3/1	WT. ----- SURF. ----- SHEET 1 of 1

THIS DOCUMENT CONTAINS PROPRIETARY INFORMATION AND SUCH INFORMATION MAY NOT BE DISCLOSED TO OTHERS FOR ANY PURPOSE OR USED FOR MANUFACTURING PURPOSES WITHOUT WRITTEN PERMISSION FROM AMPHENOL CANADA CORP.