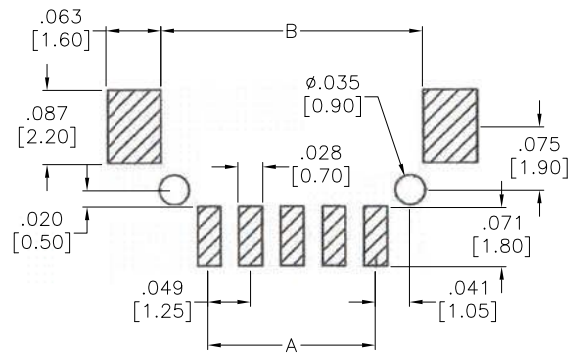
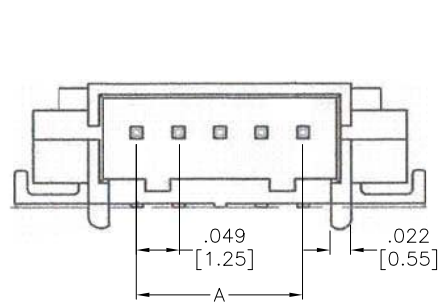


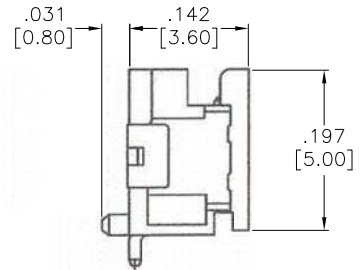
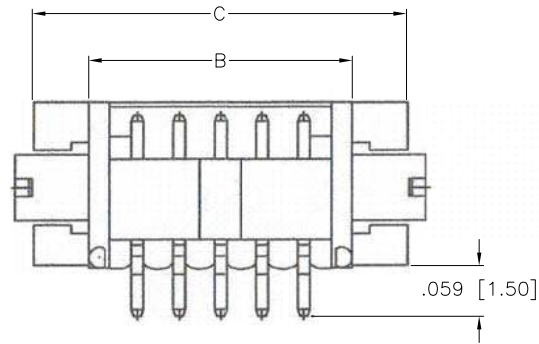
6 5 4 3 2 1

APPROVED: _____
 DATE: _____ TITLE: _____

Rev	AWO #	Description	Date	Appr
-		RELEASED	11/5/07	
A		UPDATED DRAWING	12/18/17	HR/IC



RECOMMENDED PCB LAYOUT



SPECIFICATIONS:

Material:
 Insulator: Hi-temp thermoplastic, rated UL 94V-0
 Insulator color: Natural
 Contacts: Phosphor Bronze, Tin plated
 Solder Tabs: Brass, Tin plated

Electrical:
 Voltage rating: 100V AC,DC
 Current rating: 1A AC,DC
 Contact resistance: 20 mohms max
 Insulation resistance: 500 Mohms min
 Withstanding voltage: 500 VAC for 1 minute
 Temperature Rating:
 -25°C to +85°C
 Environmental:
 Lead free, RoHS compliant.



PACKAGED ON TAPE & REEL
 Positions: 02 thru 15
 A = .049 [1.25] X No. of Spaces
 B = .049 [1.25] X No. of Spaces + .114 [2.90]
 C = .049 [1.25] X No. of Spaces + .197 [5.00]

UNLESS OTHERWISE SPECIFIED ALL DIMENSIONS ARE INCHES [MM] TOLERANCES: EXCEPT AS NOTED			
INCHES		HOLES	
.X	± .10	Ø.X	± .10
.XX	± .020	Ø.XX	± .015
.XXX	± .015	Ø.XXX	± .010
APPROVALS		DATE	
DRAWN	SS	11/5/07	
CHECKED			
APPROVED			

ADAM TECH
 909 Rahway Avenue, Union, NJ 07083
 Phone: 908-687-5000 Fax: 908-687-5710

TITLE: .049 [1.25] PITCH WIRE TO BOARD HEADER
 RIGHT ANGLE, SMT TYPE

SIZE	PART NO.	REV.
X	125SH-C-XX-TR-SMT-T/R	A

REF: S00123T SCALE: NTS SHEET 1 OF 1