

D

B WAS 1228-77-8-1420

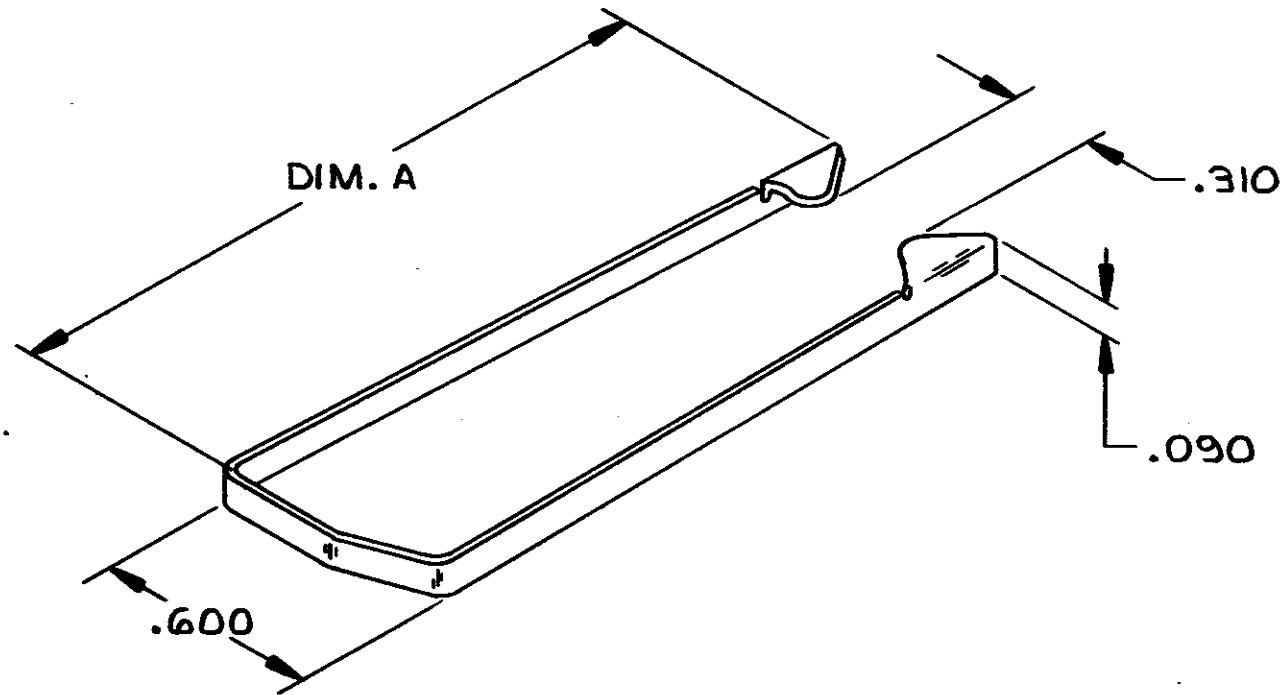
A

3

2

1 LOC AA DIST 10/2

REVISIONS						
P	F	ZONE	LTR	DESCRIPTION	DATE	APPROVED
			A1	REVISED PER ECO-11-005294	12APR11	HMR



1. ALL DIMENSIONS SHOWN ARE FOR REFERENCE ONLY UNLESS OTHERWISE SPECIFIED.

2 MATERIAL: PASSIVATED STAINLESS STEEL.

64	1.820	552723-3
14 & 24	.857	552723-2
36 & 50	1.338	552723-1
POSITIONS	DIM. A	PART NO

UNLESS OTHERWISE SPECIFIED DIMENSIONS ARE IN INCHES. TOLERANCES ON: DECIMALS ± # ANGLES ± #	CONTRACT NO				
	DR <i>A. Bourne</i> 6-26-80 CHK <i>MD/ML</i> 6-27-80				
	MATERIAL	APPD <i>B. White</i> 7/9/80 APPD <i>Womell</i> 7/9/80		NAME	
	FINISH 2	DSGN APPD OTHER APPD		LATCH, LOCKING, CHAMP-LOK	
SIZE B			CODE IDENT NO 00779	DRAWING NO 552723	
SCALE 2/1			SHEET 1 OF 1		

CUSTOMER DRAWING