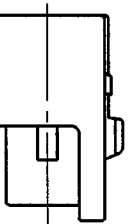
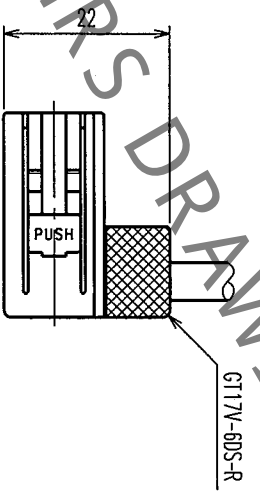
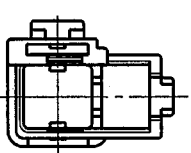
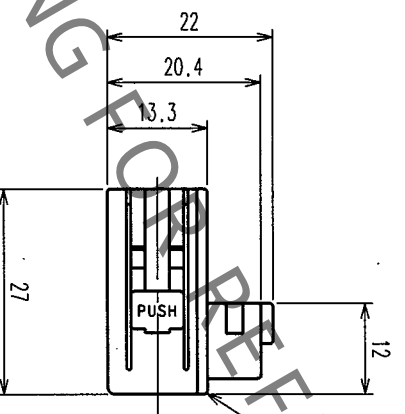
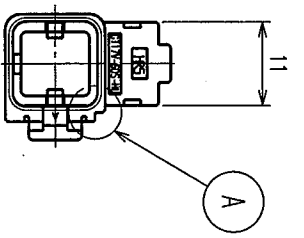
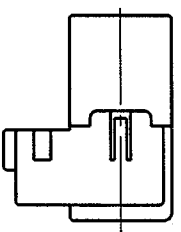
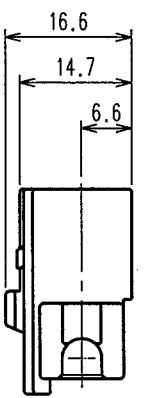
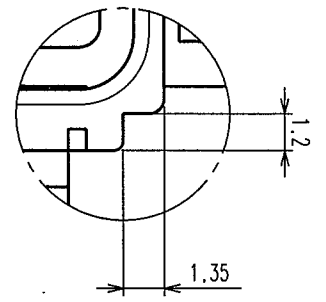


In case of consideration for using Automotive equipment / device which demand high reliability, kindly contact our sales window correspondents.

1		2		3		4			
COUNT	DESCRIPTION OF REVISIONS	BY	CHKD	DATE	COUNT	DESCRIPTION OF REVISIONS	BY	CHKD	DATE



CONNECTOR ASSEMBLED RETAINER

NOTE1. THIS CONNECTOR SHALL BE USED THAT RETAINER (CL767-0031-0) WAS ASSEMBLED.
 2. APPLICABLE CABLE DIA : ϕ 4.8 TO ϕ 5.2

1	PBT	LIGHT GRAY						
NO.	MATERIAL	FINISH, REMARKS	NO.	MATERIAL	FINISH, REMARKS			
CODE NO. (OLD)			DRAWN	DESIGNED	CHECKED	APPROVED	RELEASED	
			T. SHISHIKURA	T. SHISHIKURA	N. MAKATA	K. SATO		
			99.8.20	99.8.20	99.9.9	99.9.9		

DRAWING NO.		PART NO.	
EDC4-165527		GT17V-6DS-HU	
SCALE		CODE NO.	
1 : 1		CL767-0029-8	
UNITS		FORM NO. 228	
mm		1	

TO