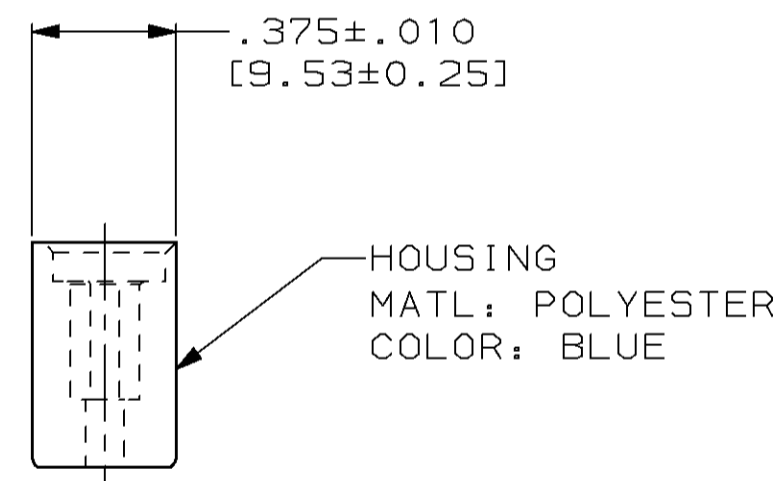
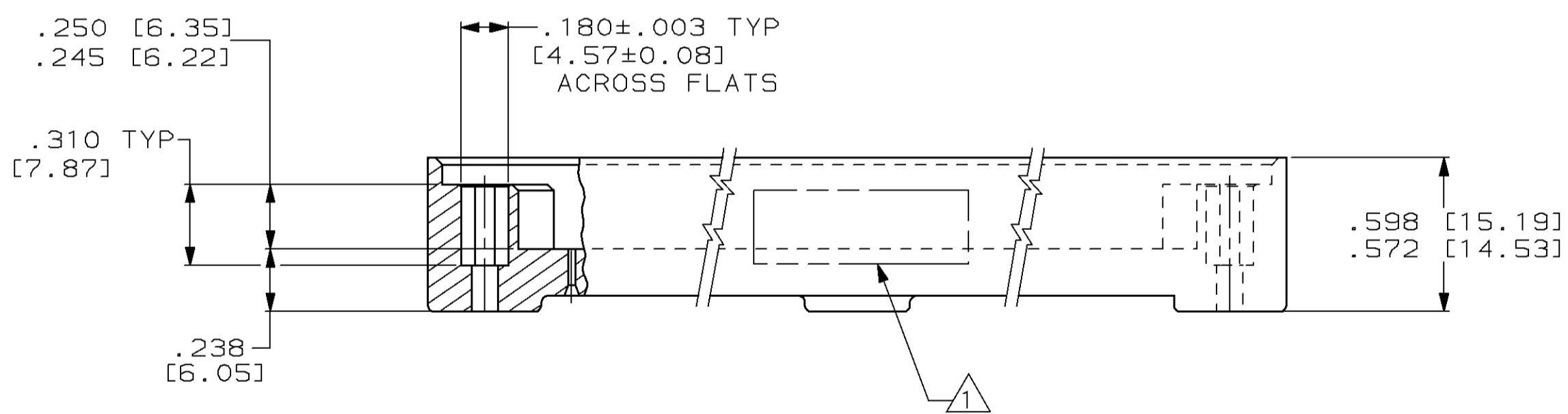
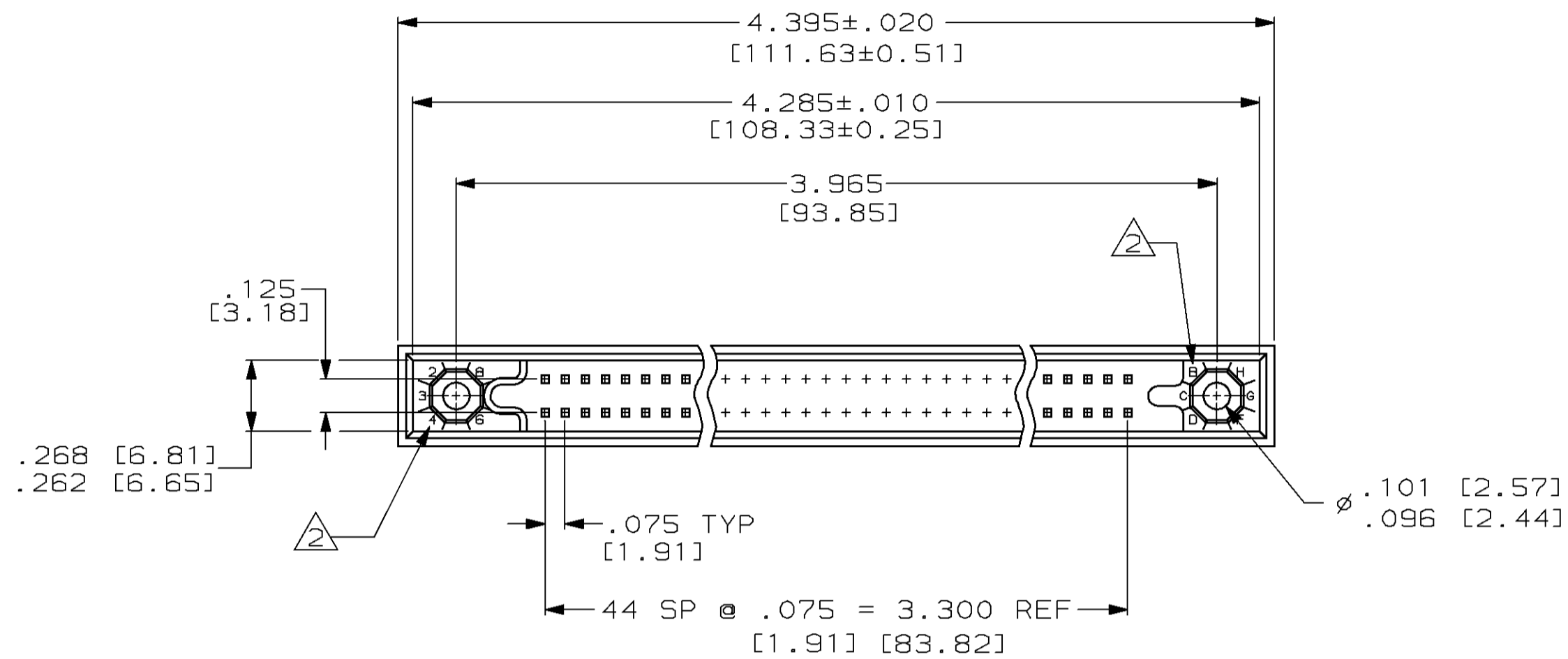


THIS DRAWING IS UNPUBLISHED. RELEASED FOR PUBLICATION
 BY AMP INCORPORATED. ALL RIGHTS RESERVED.

LOC	DIST	REVISIONS					
DF	FO	P	LTR	DESCRIPTION	DATE	DWN	APVD
		0		RELEASED PER 0600-7239-98	4-98	CT	DG



- 1 AMP, DATE CODE AND AMP PART NO. MARKED IN THIS AREA
- 2 KEY POSITION IDENTIFICATIONS MOLDED ON SURFACE SHOWN.

90	1218165-1
NO OF POSN	PART NUMBER

THIS DRAWING IS A CONTROLLED DOCUMENT.

DWN	C.C. THOMAS	4/7/98
CHK	D. GUTTER	4/7/98
APVD	D. GUTTER	4/7/98
PRODUCT SPEC	-	
APPLICATION SPEC	-	
WEIGHT	-	
CUSTOMER DRAWING	SCALE	2:1

AMP Incorporated
Harrisburg, PA 17105-3608

PIN SHROUD HOUSING, 750 SERIES BOX STACKING FOR .025x.025 POSTS, .700 STACK HEIGHT

SIZE	A2	CAGE CODE	00779	DRAWING NO	1218165	RESTRICTED TO	-
SHEET	1	OF	1	REV	0		