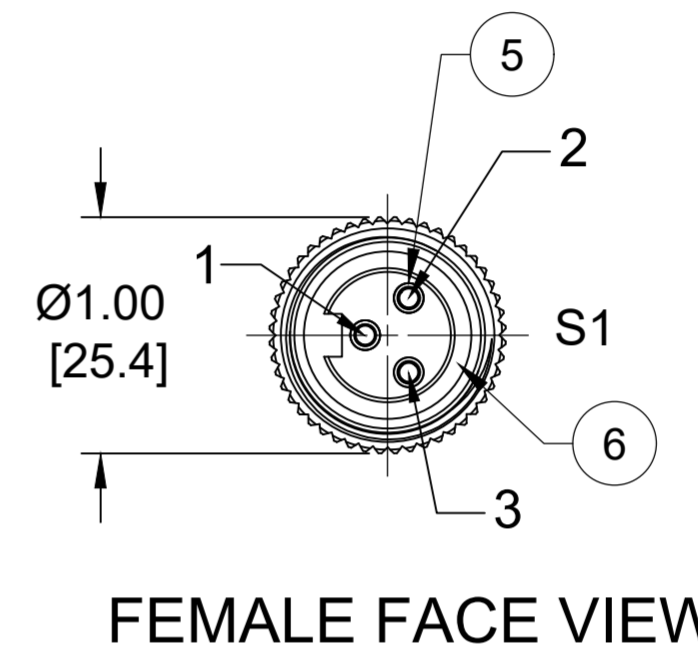
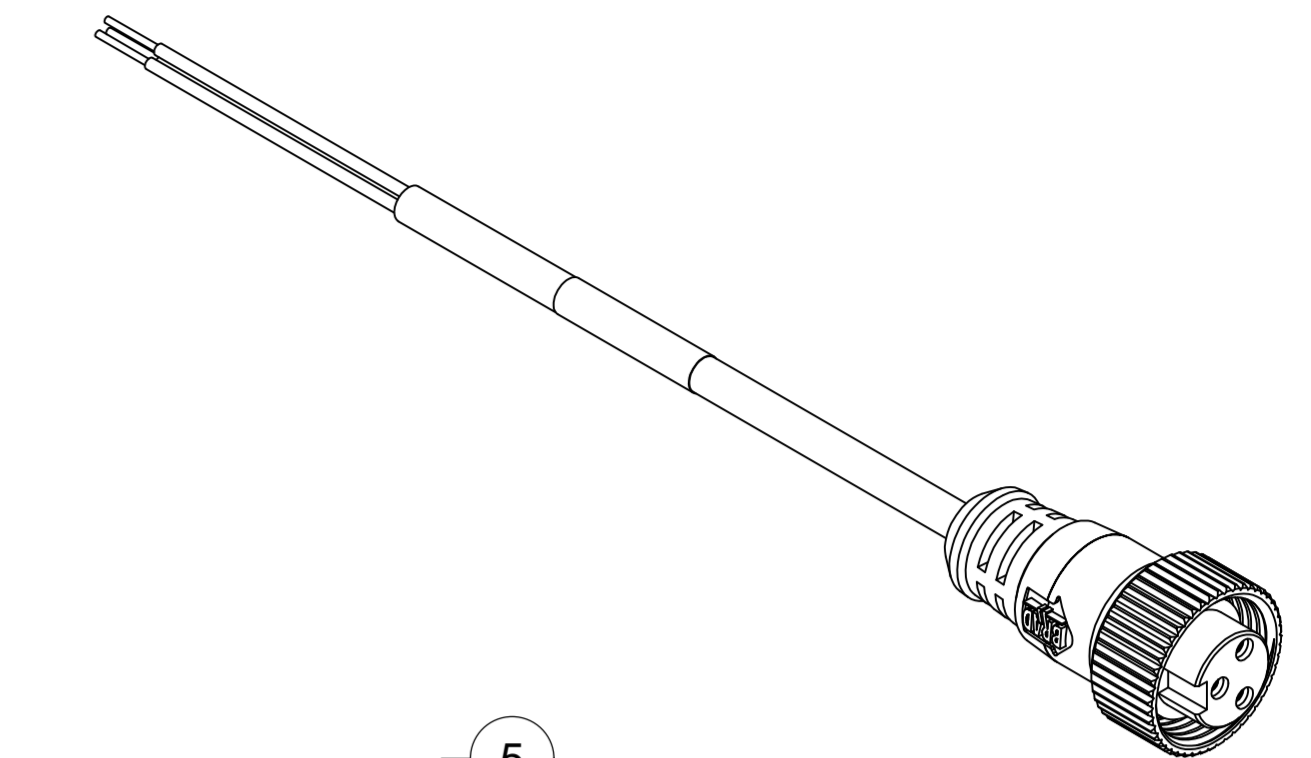
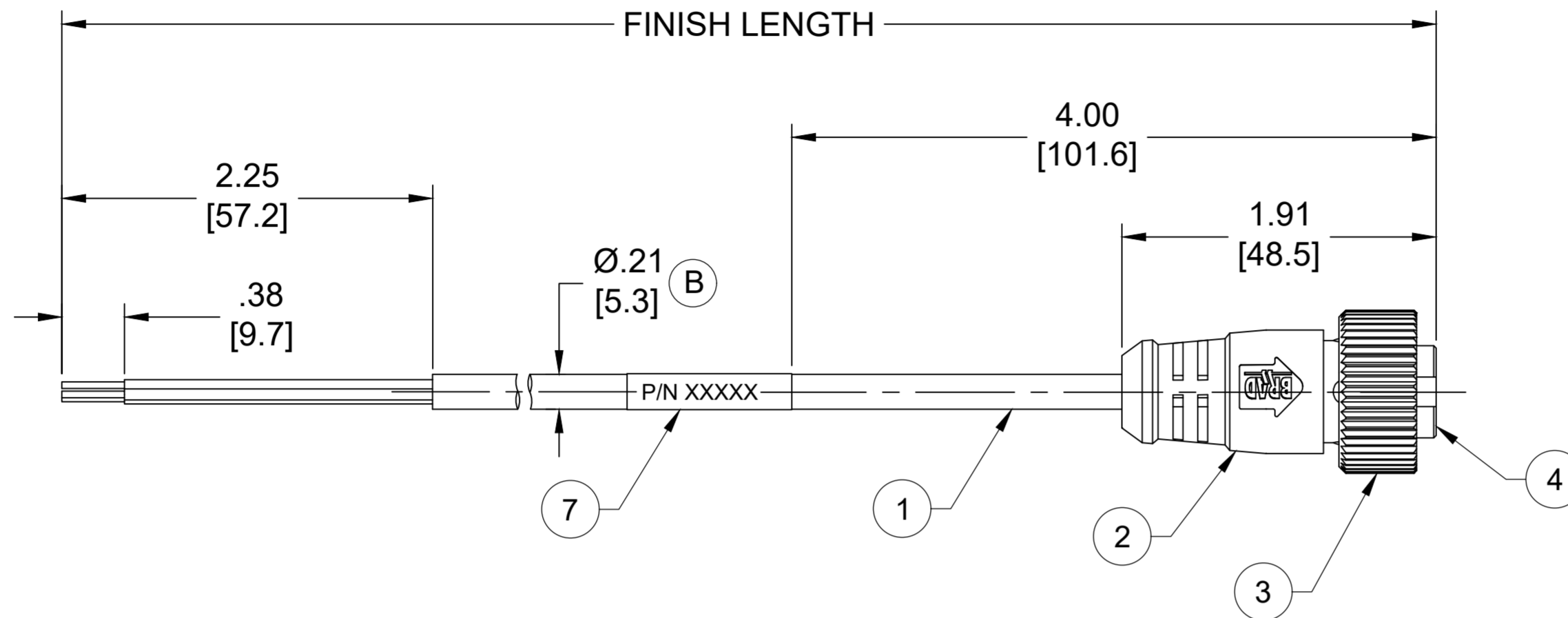


PART NO.	ENGINEERING NO.	FINISHED LENGTH
1300060339	103000A06M020	2M [6FT 7 IN]
1300060356	103000A06M150	15M [49FT 3 IN]
1300060359	103000A06M300	30M [98M 5 IN]



NOTES:

- MATERIAL: AS NOTED
- FINISH: AS NOTED
- ELECTRICAL:
VOLTAGE : 300V
CURRENT: 10A (B)
- TEMP RATING: -20° TO +105°C
- PROTECTION: IP67 (WHEN MATED)
- COUPLING THREAD: 7/8"-16UN
- CSA CERTIFIED FILE: LR6837
- ALL DIMENSIONS ARE FOR REFERENCE UNLESS TOLERANCED OR NOTED OTHERWISE

S1

GREEN/YELLOW-GRD	1
BROWN	2
BLUE	3

(B)
PART NUMBER LEGEND

103000A06M020

↓
CABLE LENGTH
M050 = 5 METER
M100 = 10 METER
M500 = 50 METER

WIRING DIAGRAM

(B) **CABLE LENGTH TOLERANCES**

<.3M [1FT]:	+19mm-0 [+.75in-0]
.3 - .9M [1 - 3FT]:	+44.5mm-0 [+1.75in-0]
.9 - 1.8M [3 - 6FT]:	+55.6mm-0 [+2.19in-0]
1.8 - 3.7M [6 - 12FT]:	+88.9mm-0 [+3.50in-0]
3.7 - 7.3M [12 - 24FT]:	+165.1mm-0 [+6.50in-0]
7.3-14.6M [24 - 48FT]:	+317.5mm-0 [+12.50in-0]
14.6 - 30.5M [48-100FT]:	+622.3mm-0 [+24.50in-0]
OVER 30M [100FT]	+2% OF FINISHED LENGTH

7	WRAP LABEL	VINYL	BLACK/YELLOW	(B)
6	FRICION RING	NYLON	WHITE	(B)
5	CONTACT SOCKET	COPPER ALLOY	GOLD OVER NICKEL	(B)
4	INSERT	TPE	YELLOW	(B)
3	COUPLING NUT	ZINC DIE CAST	BLACK E-COAT	(B)
2	OVERMOLD	TPE	YELLOW	(B)
1	CABLE, 18 AWG	PVC	YELLOW	(B)
ITEM	COMPONENT	MATERIAL	FINISH	

FUNCTIONAL SYMBOLS	THIS DRAWING CONTAINS INFORMATION THAT IS PROPRIETARY TO MOLEX ELECTRONIC TECHNOLOGIES, LLC AND SHOULD NOT BE USED WITHOUT WRITTEN PERMISSION											
FA=0	DIMENSION UNITS	SCALE	CURRENT REV DESC: ITEM# 2 & 4 WERE PVC. ITEM #7 WAS PLASTIC FILM. ADDED UL, FRICTION RING, PN LEGEND, CABLE DIA & TOL CHART. MODIFIED CURRENT & PN CHART							molex		
	INCH/MM	NTS	EC NO: 702709									
FC=0	GENERAL TOLERANCES (UNLESS SPECIFIED)		EC NO: 702709							MINI-CHANGE CORDSET, A-SIZE		
			mm	INCH	DRWN: ABENJAMINLW 2021/05/13							3-POLE, FEMALE, STRAIGHT, SINGLE KEY, #18 AWG
FP=0	4 PLACES	±----	±----	CHK'D: RSTONE 2022/04/11							PRODUCT CUSTOMER DRAWING	
	3 PLACES	±----	±----	APPR: BWOODMAN 2022/04/16							DOCUMENT NUMBER	
DIVISIONAL SYMBOLS	2 PLACES	±----	±----	INITIAL REVISION:							DOC TYPE/DOC PART/REVISION	
	1 PLACE	±----	±----	DRWN: TWOLDEGE 2009/07/10							SD-130006-009	
	0 PLACES	±----	±----	APPR: JFMURPHY 2009/08/10							PSD 001 B	
	ANGULAR TOL ± ---- °			THIRD ANGLE PROJECTION							MATERIAL NUMBER	
	DRAFT WHERE APPLICABLE MUST REMAIN WITHIN DIMENSIONS			DRAWING C-SIZE							CUSTOMER GENERAL MARKET	
				SERIES 130006							SHEET NUMBER 1 OF 1	