

1

2

3

4

5

6

7

A

A

B

B

C

C

D

D

E

E

F

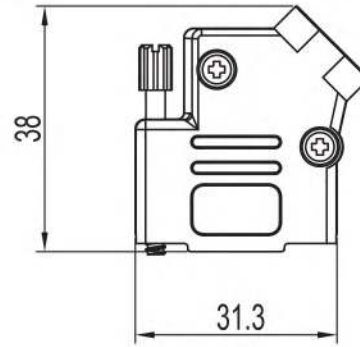
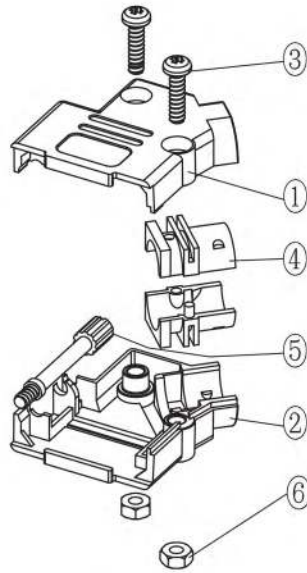
F

G

G

H

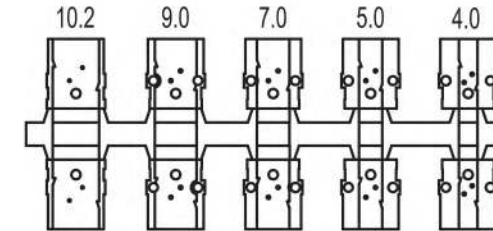
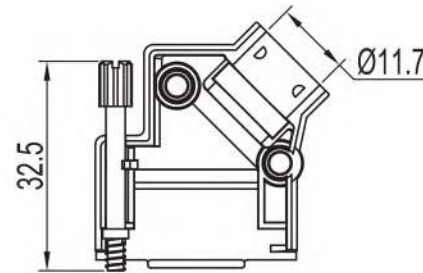
H



#### TECHNICAL SPECIFICATIONS

Material: ABS Plastic, UL94-HB  
 Plating: Metalized (Nickel over Copper)  
 Operating Temperature: -55°C to +110°C  
 Thumbscrews: UNC 4-40

No. of contacts: 09-15-25-37



Grommet Set

Item	QTY	Part description
1	1	Upper Cover
2	1	Lower Cover
3	2	M3x11 Screw
4	1	Grommet Set
5	1	Thumbscrew UNC4-40 x 32.5mm
6	2	M3 Nut

**RoHS compliant**  
 Unit: mm

Scale	Free				Date	Name	Customer-No.	
TOLERANCE					Drawn	17.08.2017	S.Bölling	
0~6	±0.10				Approved	17.08.2017	S.Bölling	
6~30	±0.20							
30~120	±0.30							
120~400	±0.50							
DIM	Tol							
Angle	±1°	Ⓢ	Drawn	17.08.2017				S.Bölling
Angle	Tol	Id.	Modification	Date				Name

Customer-No.

Drawn 17.08.2017 S.Bölling

Approved 17.08.2017 S.Bölling

ASSMANN WSW-No.

ACOV-SUB-09MB29

Drawing-No.

ASS\_5270\_CO

rev00

Replace

Sheet 1/4

1

2

3

4

5

6

7

SV4382

1

2

3

4

5

6

7

A

B

C

D

E

F

A

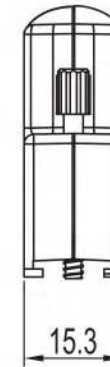
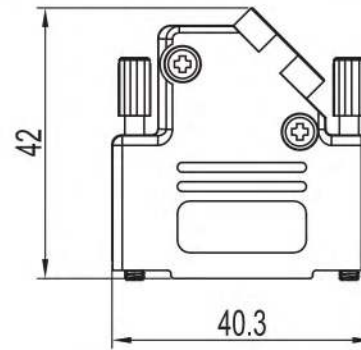
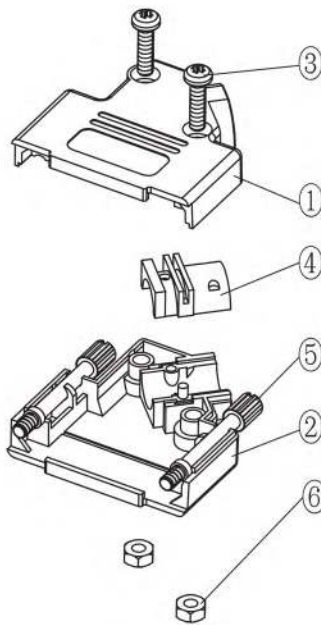
B

C

D

E

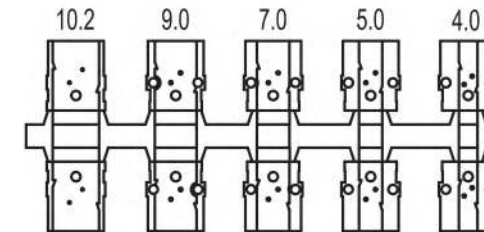
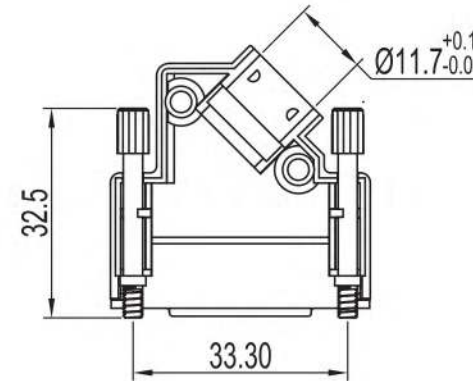
F



#### TECHNICAL SPECIFICATIONS

Material: ABS Plastic, UL94-HB  
 Plating: Metalized (Nickel over Copper)  
 Operating Temperature: -55°C to +110°C  
 Thumbscrews: UNC 4-40

No. of contacts: 09-15-25-37



Grommet Set

Item	QTY	Part description
1	1	Upper Cover
2	1	Lower Cover
3	2	M3x11 Screw
4	1	Grommet Set
5	2	Thumbscrews UNC4-40 x 32.5mm
6	2	M3 Nut

**RoHS compliant**  
 Unit: mm

Scale	Free				Date	Name	Customer-No.	
TOLERANCE					Drawn	17.08.2017	S.Bölling	
0~6	±0.10				Approved	17.08.2017	S.Bölling	
6~30	±0.20							
30~120	±0.30							
120~400	±0.50							
DIM	Tol							
Angle	±1°	Ⓢ	Drawn	17.08.2017				S.Bölling
Angle	Tol	Id.	Modification	Date				Name

Customer-No.

Drawn

Date

Name

ASSMANN WSW-No.

ACOV-SUB-15MB29

Drawing-No.

ASS\_5270\_CO

rev00

Replace

Sheet 2/4

1

2

3

4

5

6

7

SV4382

1

2

3

4

5

6

7

A

B

C

D

E

F

A

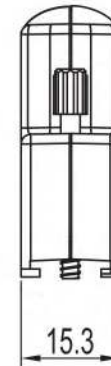
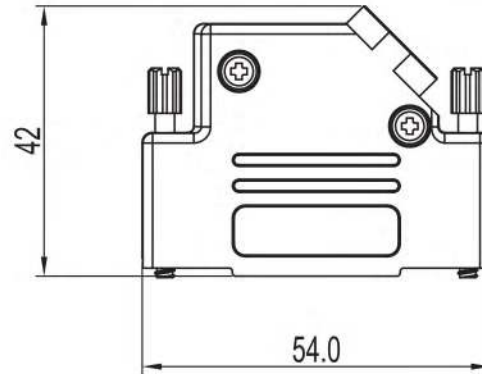
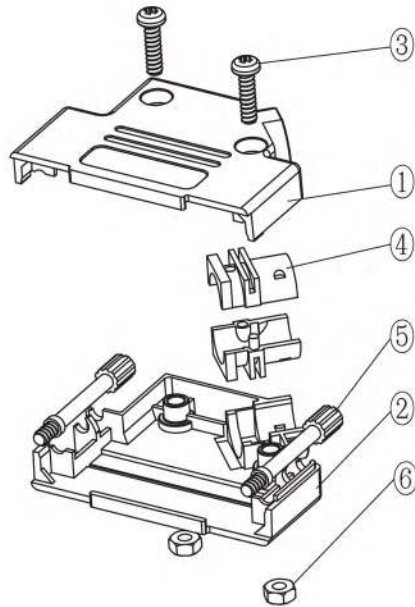
B

C

D

E

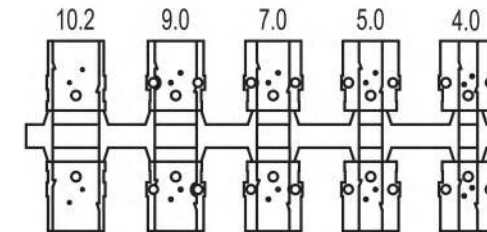
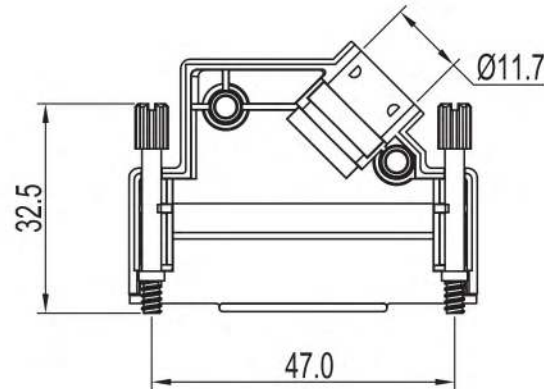
F



#### TECHNICAL SPECIFICATIONS

Material: ABS Plastic, UL94-HB  
 Plating: Metalized (Nickel over Copper)  
 Operating Temperature: -55°C to +110°C  
 Thumbscrews: UNC 4-40

No. of contacts: 09-15-25-37



Grommet Set

Item	QTY	Part description
1	1	Upper Cover
2	1	Lower Cover
3	2	M3x11 Screw
4	1	Grommet Set
5	2	Thumbscrews UNC4-40 x 32.5mm
6	2	M3 Nut

**RoHS compliant**  
 Unit: mm

Scale	Free				Date	Name	Customer-No.	
TOLERANCE					Drawn	17.08.2017	S.Bölling	
0~6	±0.10				Approved	17.08.2017	S.Bölling	
6~30	±0.20							
30~120	±0.30							
120~400	±0.50							
DIM	Tol							
Angle	±1°	Ⓢ	Drawn	17.08.2017				S.Bölling
Angle	Tol	Id.	Modification	Date				Name

Customer-No.  
 ASSMANN WSW-No.  
**ACOV-SUB-25MB29**

Drawing-No.  
**ASS\_5270\_CO** rev00  
 Replace  
 Sheet 3/4

1

2

3

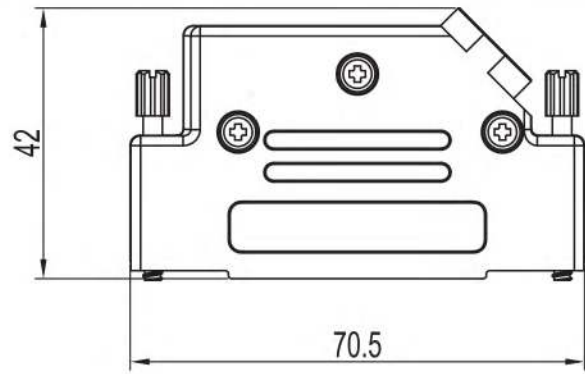
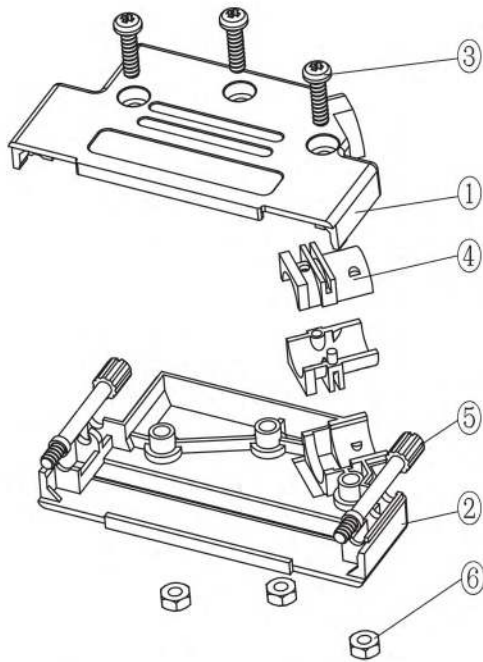
4

5

6

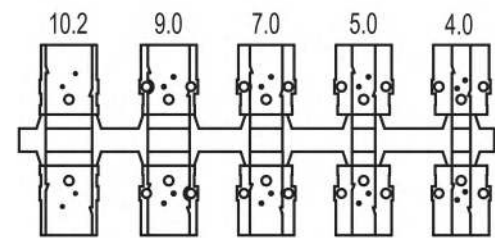
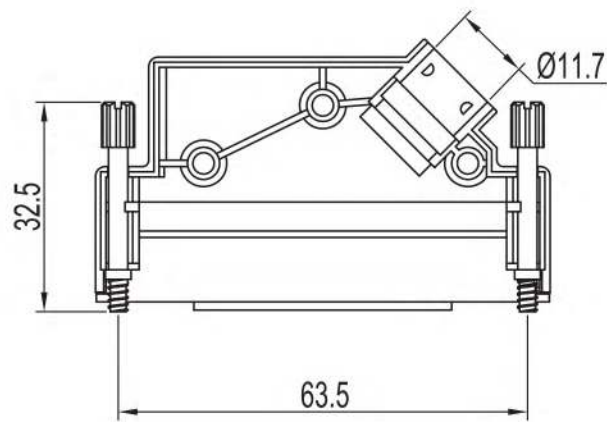
7

SV4382



**TECHNICAL SPECIFICATIONS**

Material: ABS Plastic, UL94-HB  
 Plating: Metalized (Nickel over Copper)  
 Operating Temperature: -55°C to +110°C  
 Thumbscrews: UNC 4-40  
 No. of contacts: 09-15-25-37



Grommet Set

Item	QTY	Part description
1	1	Upper Cover
2	1	Lower Cover
3	3	M3x11 Screw
4	1	Grommet Set
5	2	Thumbscrews UNC4-40 x 32.5mm
6	3	M3 Nut

**RoHS compliant**  
 Unit: mm

Scale	Free				Date	Name	Customer-No.	
<b>TOLERANCE</b>					Drawn	17.08.2017	S.Bölling	
0~6	±0.10				Approved	17.08.2017	S.Bölling	
6~30	±0.20							
30~120	±0.30							
120~400	±0.50							
DIM	Tol							
Angle	±1°	Ⓢ	Drawn	17.08.2017				S.Bölling
Angle	Tol	Id.	Modification	Date				Name

Customer-No.	
ASSMANN WSW-No. <b>ACOV-SUB-37MB29</b>	
Drawing-No. <b>ASS_5270_CO</b>	rev00
Replace	Sheet 4/4

