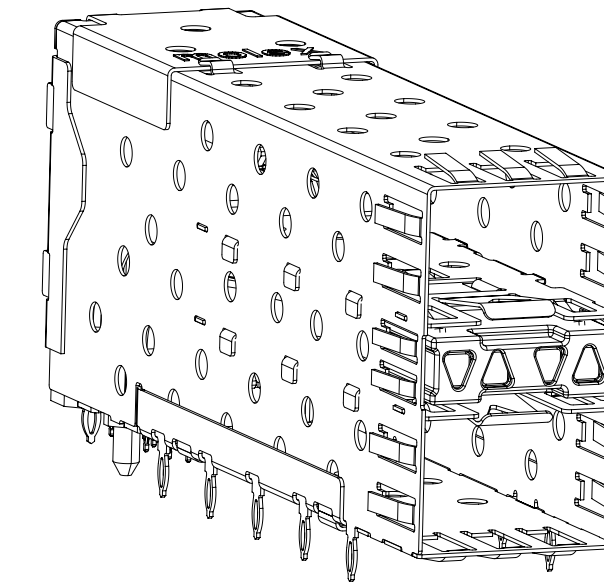
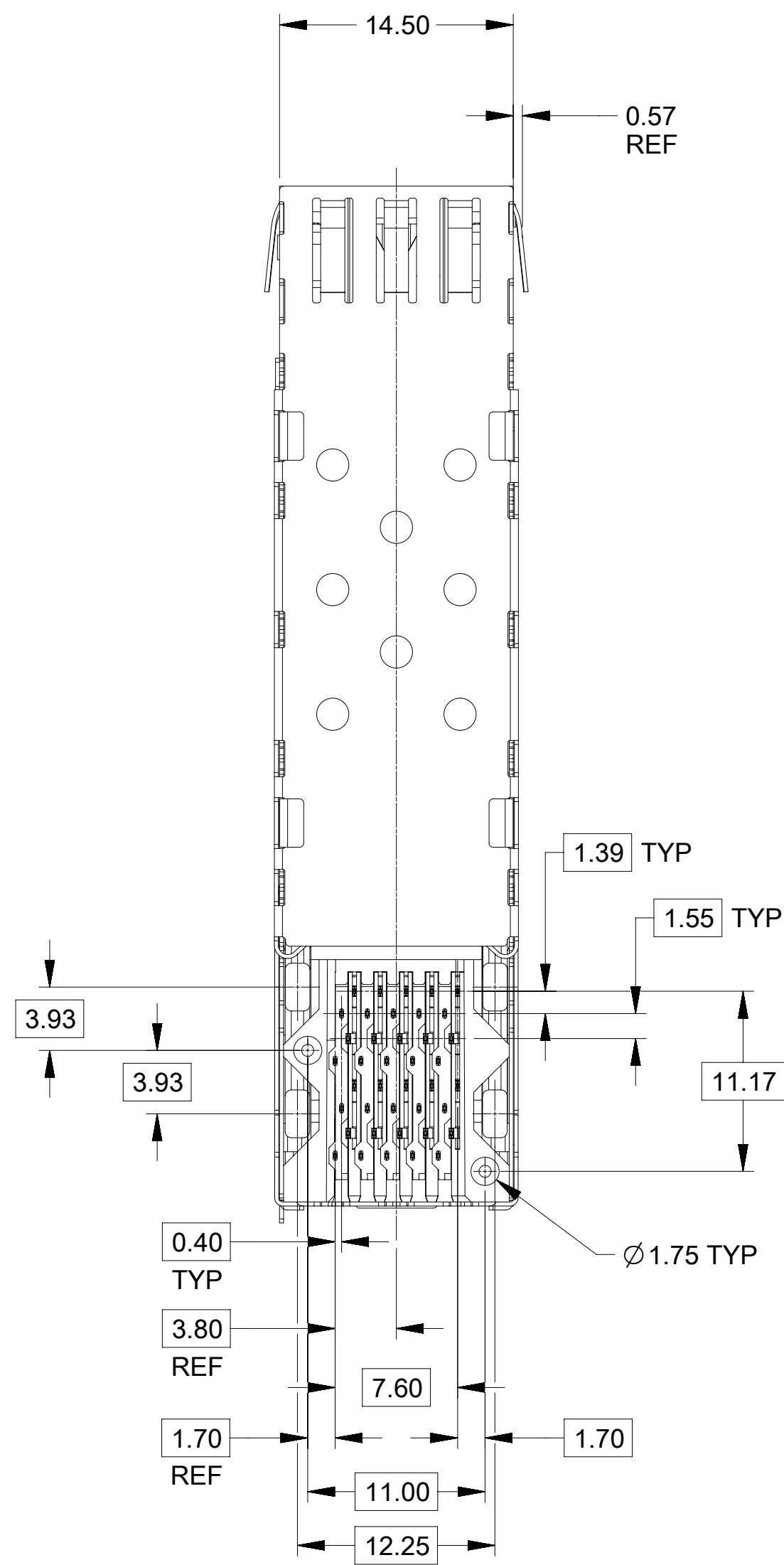


NOTES

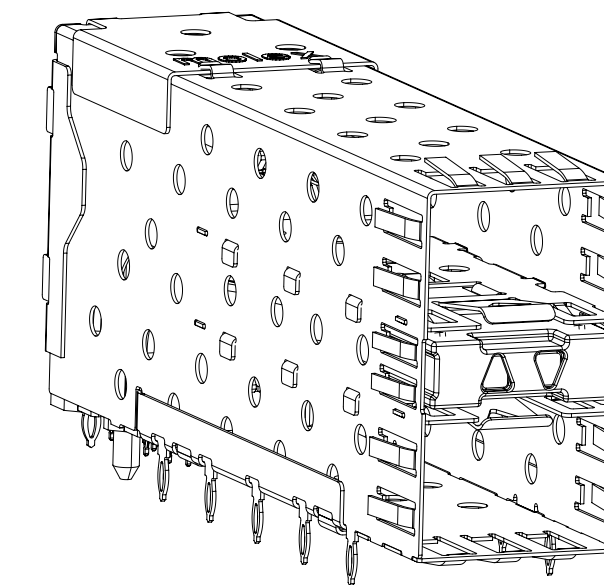
- MATERIAL:**
 CAGE: NICKEL SILVER, THICKNESS: 0.25mm
 CONNECTOR HOUSING: GLASS FILLED LIQUID CRYSTAL POLYMER (LCP), UL 94V-0, COLOR: BLACK
 OVERMOLD TERMINAL HOUSING: GLASS FILLED LIQUID CRYSTAL POLYMER (LCP), UL 94V-0, COLOR: BLACK
 TERMINALS: TIN BRASS
 LIGHTPIPE HOUSING: ZINC
 LIGHTPIPES: POLYCARBONATE, COLOR: CLEAR
- FINISHES:**
 TERMINALS: CONTACT AREA: 0.76 MICROMETERS MINIMUM HARD GOLD OVER 1.27 MICROMETERS MINIMUM NICKEL.
 COMPLIANT TAIL - MATTE TIN/LEAD OPTION: 0.76 TO 1.52 MICROMETERS 90/10 MATTE TIN-LEAD OVER 0.76 MICROMETERS MINIMUM NICKEL.
 COMPLIANT TAIL - MATTE TIN OPTION: 0.76 TO 1.52 MICROMETERS MATTE TIN OVER 0.76 MICROMETERS MINIMUM NICKEL.
 LIGHTPIPE HOUSING: 80 MICROMETERS MINIMUM NICKEL OVER COPPER
- REFER TO PS-75310-001 PRODUCT SPEC FOR ALL ELECTRICAL, MECHANICAL, AND ENVIRONMENTAL SPECIFICATIONS.
- LIGHTPIPE PAD LAYOUT IS FOR 0805 LOW-PROFILE LED PACKAGE, FOR OTHER RECOMMENDED LAYOUTS REFER TO MOLEX'S REPORT TS-75310-001.
- REFER TO PK-75462-001 FOR ALL PACKAGING SPECIFICATIONS.
- PART COMPLIES WITH COSMETIC SPECIFICATION PS-45499-002. SEE SHEET 4 SECTION Z-Z FOR SURFACE CLASSIFICATIONS. UNDERSIDE OF CAGE COMPLIES WITH CLASS "C".
- DATE CODE LOCATION IS SHOWN ABOVE.
 DATE CODE FORMAT: DDDY MX A1
 DDD = DAY OF THE YEAR
 Y = YEAR
 MX = MOLEX
 A = ALPHA CHARACTER - INDICATES MANUFACTURING LINE
 1 = NUMERIC CHARACTER - INDICATES PRODUCTION SHIFT

PART NUMBER	DESCRIPTION	VIEW	COMPLIANT TAIL PLATING
75640-0001	4 PORT LIGHT PIPE	SEE PG 2	TIN LEAD
75640-0002	INNER 2 PORTS	SEE PG 2	TIN LEAD
75640-0003	OUTER 2 PORTS	SEE PG 2	TIN LEAD
75640-5001	4 PORT LIGHT PIPE	SEE PG 2	TIN
75640-5002	INNER 2 PORTS	SEE PG 2	TIN
75640-5003	OUTER 2 PORTS	SEE PG 2	TIN

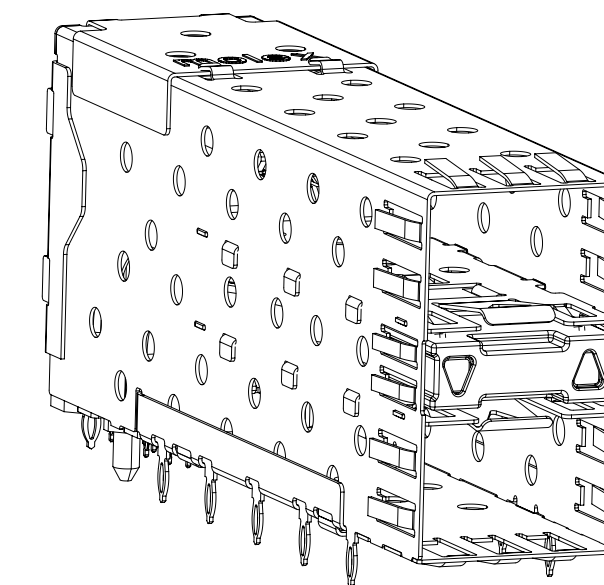
SYMBOLS ▽ = 0 ▽ = 0 ▽ = 0 ▽ = 0 ▽ = 0 ▽ = 0 ▽ = 0 ▽ = 0 ▽ = 0 ▽ = 0	THIS DRAWING CONTAINS INFORMATION THAT IS PROPRIETARY TO MOLEX ELECTRONIC TECHNOLOGIES, LLC AND SHOULD NOT BE USED WITHOUT WRITTEN PERMISSION			
	DIMENSION UNITS	SCALE	CURRENT REV DESC: UPDATE TO NEW TAILS	
	mm	3:1		
	GENERAL TOLERANCES (UNLESS SPECIFIED)			
ANGULAR TOL ± 5.0°	EC NO: 600319			
4 PLACES ±	DRWN: SVANG01	2018/06/04		
3 PLACES ±	CHK'D: RWHIPPLE	2018/06/05		
2 PLACES ± 0.13	APPR: CHIRSCHY	2018/06/05		
1 PLACE ± 0.25	INITIAL REVISION:			
0 PLACES ±	DRWN: JLONG	2004/10/21		
DRAFT WHERE APPLICABLE MUST REMAIN WITHIN DIMENSIONS				
THIRD ANGLE PROJECTION	DRAWING	SERIES		
	C-SIZE	75640		
DOCUMENT NUMBER		DOC TYPE	DOC PART	REVISION
SD-75640-001		PSD	001	H
MATERIAL NUMBER		CUSTOMER	SHEET NUMBER	
GENERAL MARKET			1 OF 4	



756400001 & 756405001
WITH 4 LIGHT PIPE PORTS

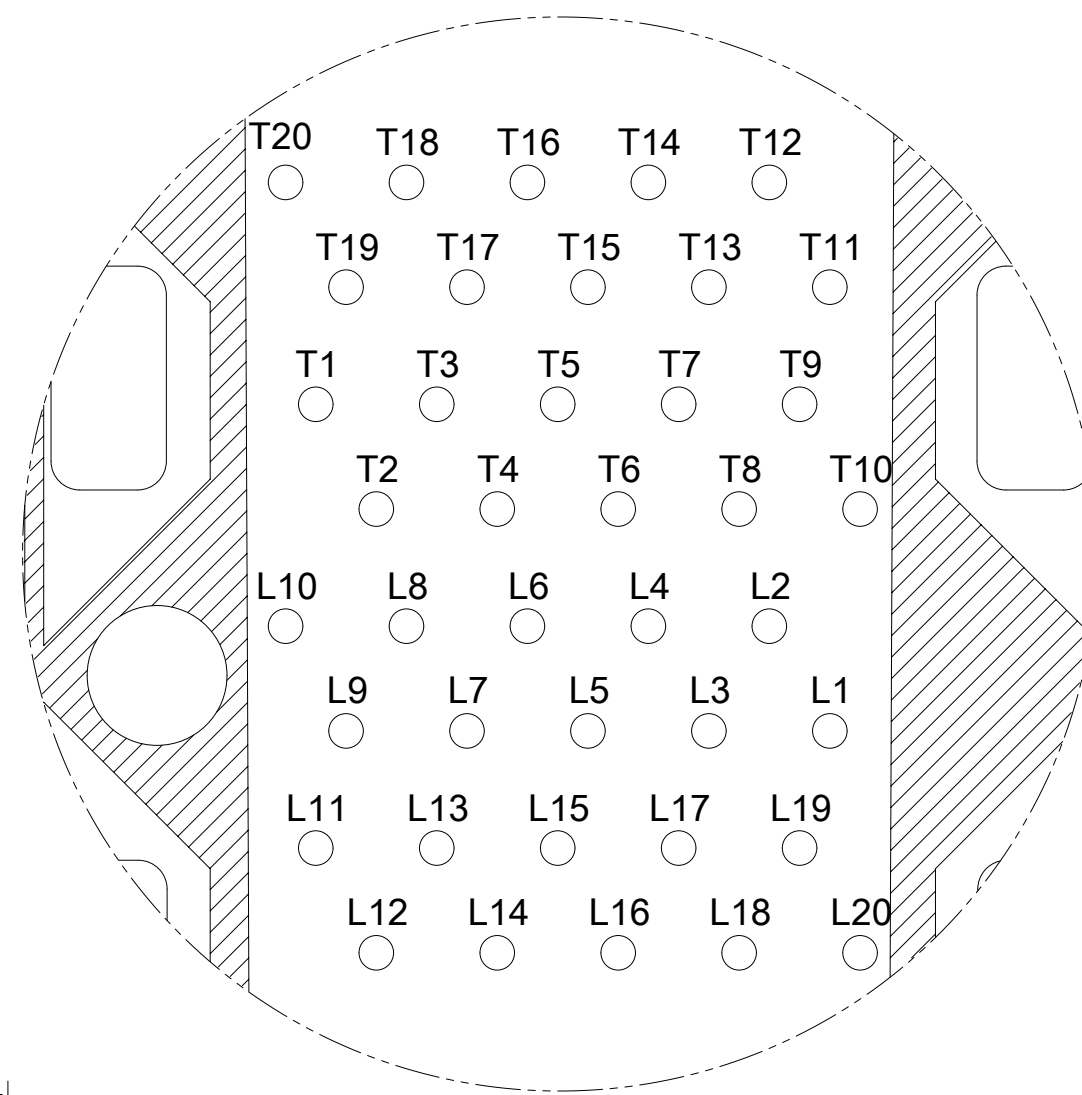


756400002 & 756405002
WITH INNER LIGHT PIPE PORTS

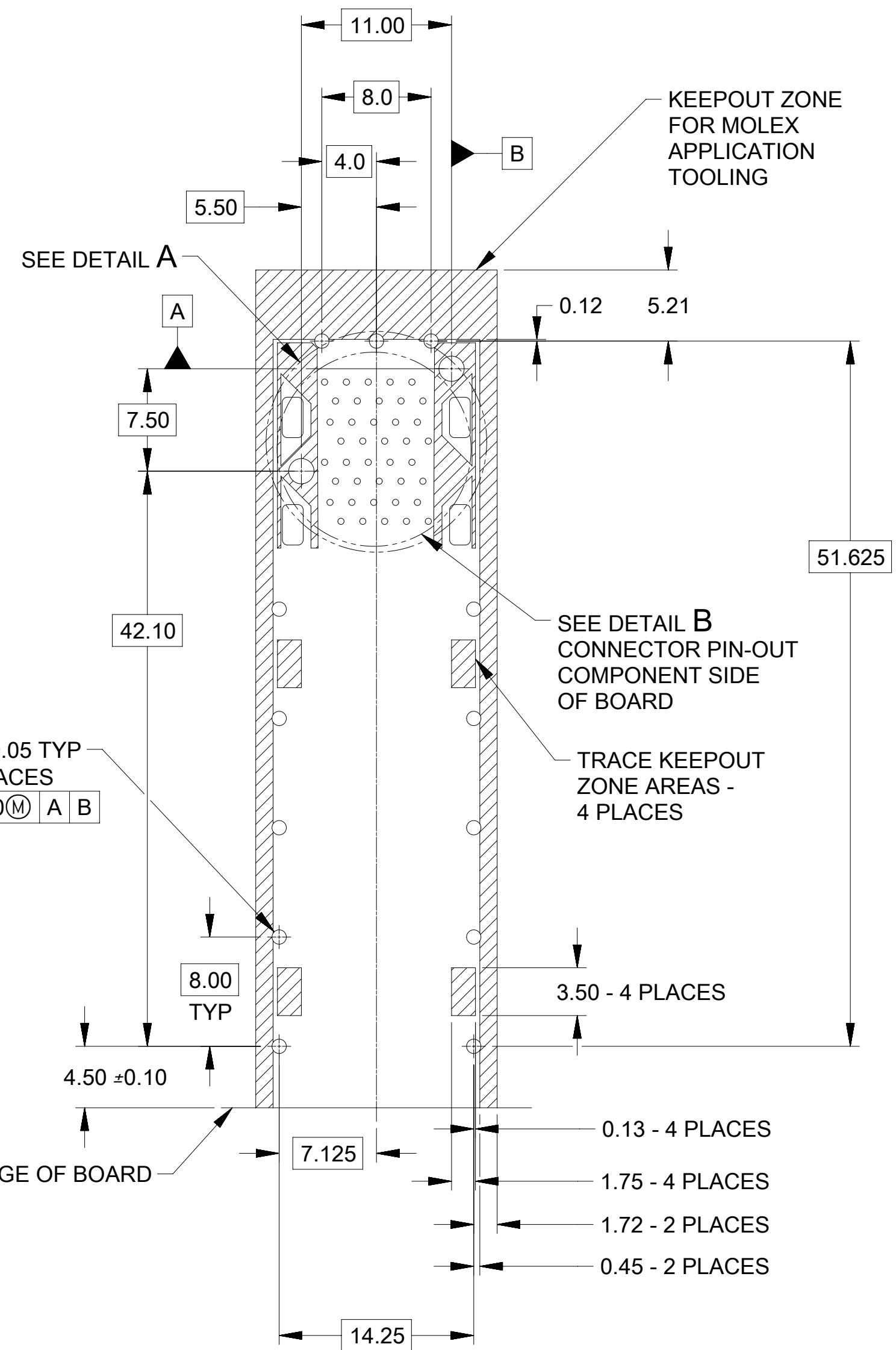


756400003 & 756405003
WITH OUTER LIGHT PIPE PORTS

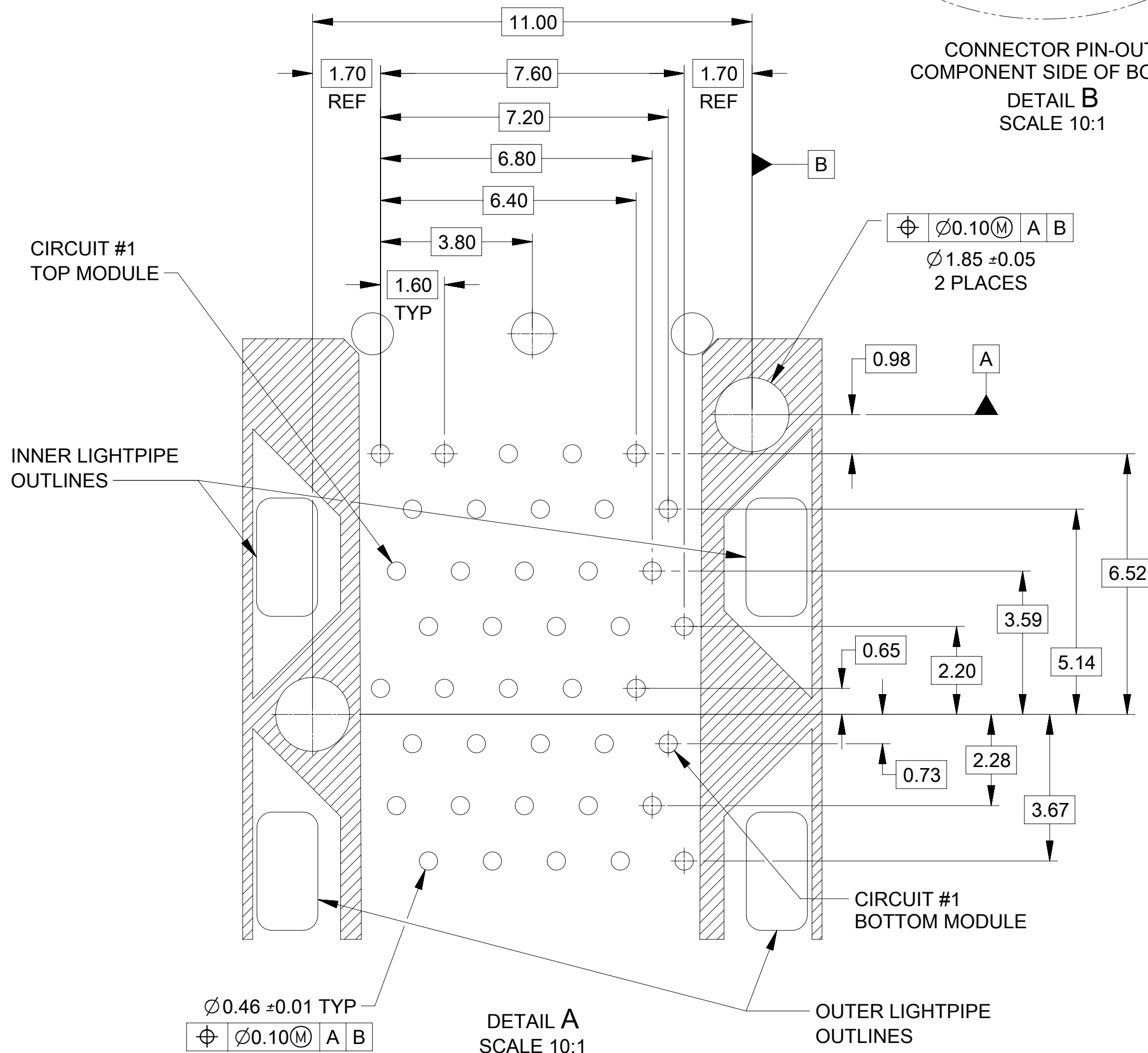
SYMBOLS		THIS DRAWING CONTAINS INFORMATION THAT IS PROPRIETARY TO MOLEX ELECTRONIC TECHNOLOGIES, LLC AND SHOULD NOT BE USED WITHOUT WRITTEN PERMISSION	
DIMENSION UNITS	SCALE	CURRENT REV DESC: UPDATE TO NEW TAILS	
$\nabla = 0$	mm	3:1	<p>molex</p> <p>STACKED SFP 2X1 MEDIUM HEIGHT ASSY, PRESS-FIT TAILS WITH LIGHT PIPES</p> <p>PRODUCT CUSTOMER DRAWING</p>
$\nabla = 0$	GENERAL TOLERANCES (UNLESS SPECIFIED)		
$\nabla = 0$	ANGULAR TOL $\pm 5.0^\circ$		
$\nabla = 0$	4 PLACES \pm		
$\nabla = 0$	3 PLACES \pm		
$\nabla = 0$	2 PLACES ± 0.13		<p>EC NO: 600319</p> <p>DRWN: SVANG01 2018/06/04</p> <p>CHK'D: RWHIPPLE 2018/06/05</p> <p>APPR: CHIRSCHY 2018/06/05</p>
$\nabla = 0$	1 PLACE ± 0.25		INITIAL REVISION:
$\nabla = 0$	0 PLACES \pm		<p>DRWN: JLONG 2004/10/21</p> <p>APPR: RNELSON 2004/10/28</p>
$\nabla = 0$	DRAFT WHERE APPLICABLE MUST REMAIN WITHIN DIMENSIONS	THIRD ANGLE PROJECTION	DRAWING SERIES
			C-SIZE 75640
DOCUMENT STATUS		DOCUMENT NUMBER	DOC TYPE DOC PART REVISION
P1	RELEASE DATE 2018/06/05 22:24:34	SD-75640-001	PSD 001 H
		MATERIAL NUMBER	CUSTOMER SHEET NUMBER
		GENERAL MARKET	2 OF 4



CONNECTOR PIN-OUT
COMPONENT SIDE OF BOARD
DETAIL B
SCALE 10:1

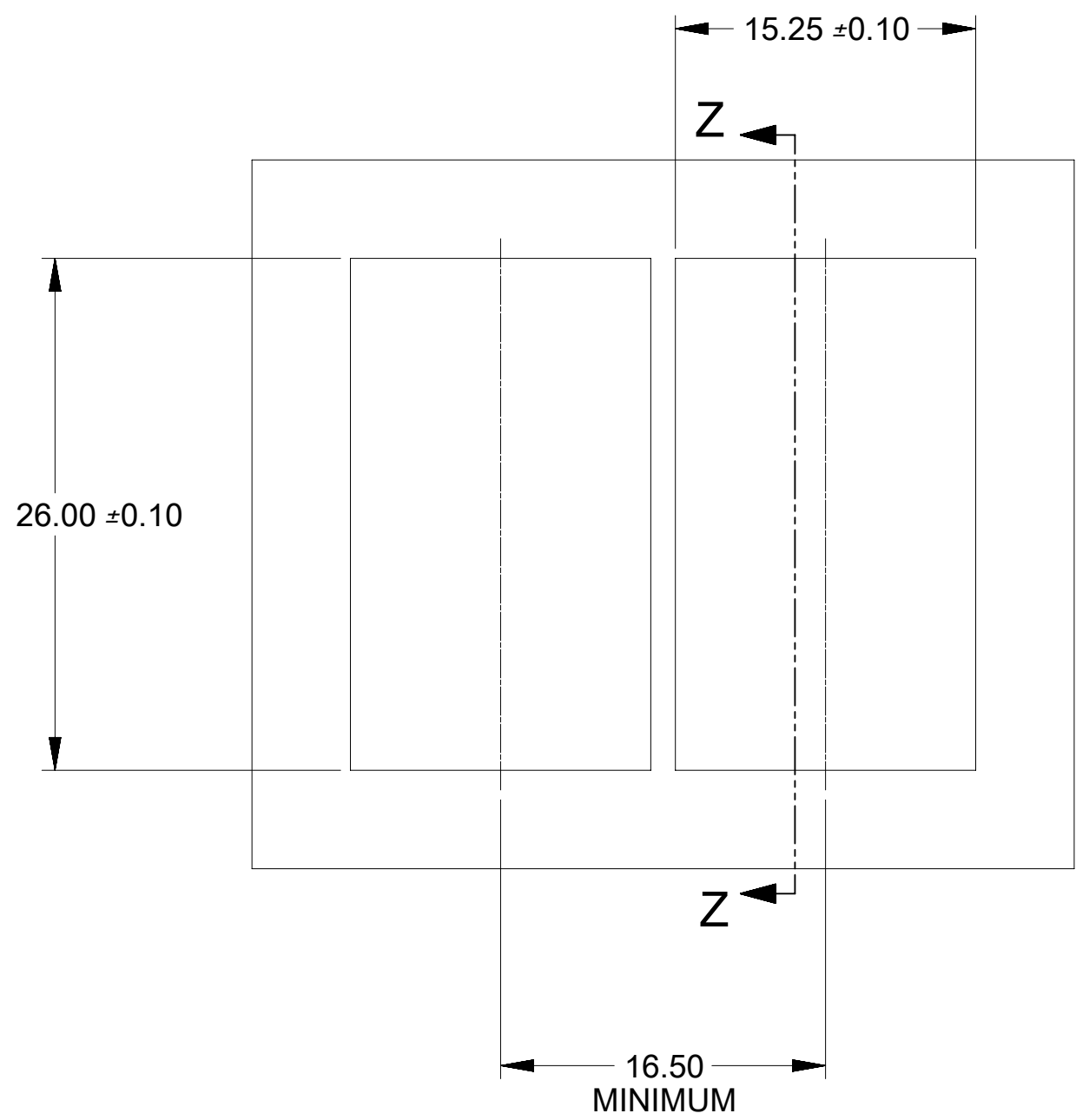


RECOMMENDED PCB LAYOUT - COMPONENT SIDE
RECOMMENDED PCB THICKNESS: 2.36 MM (.093 INCH)
(MINIMUM PCB THICKNESS: 1.57)
THE ENTIRE AREA OF THE CONNECTOR FOOTPRINT
TO BE CONSIDERED THE KEEP OUT AREA FOR COMPONENTS

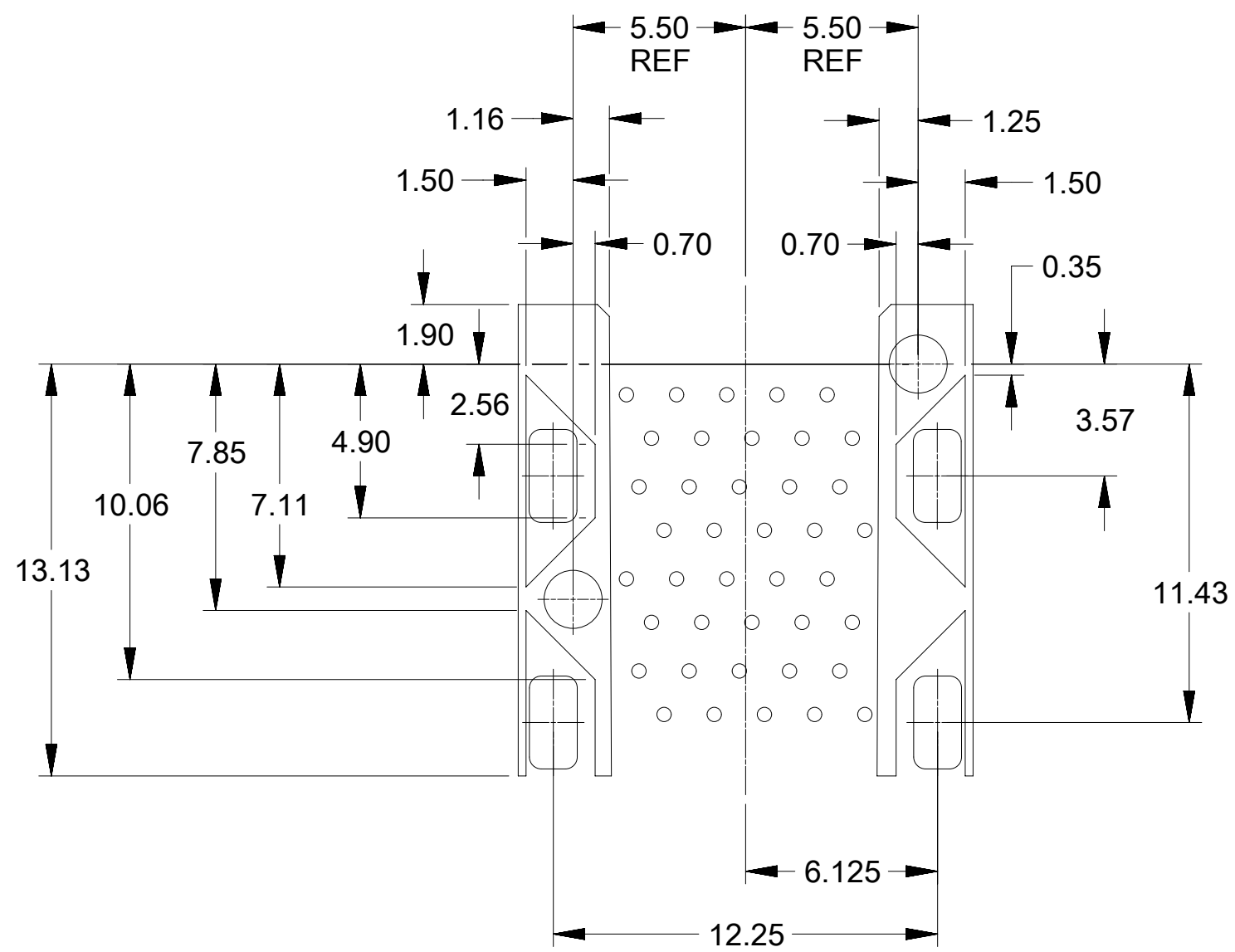
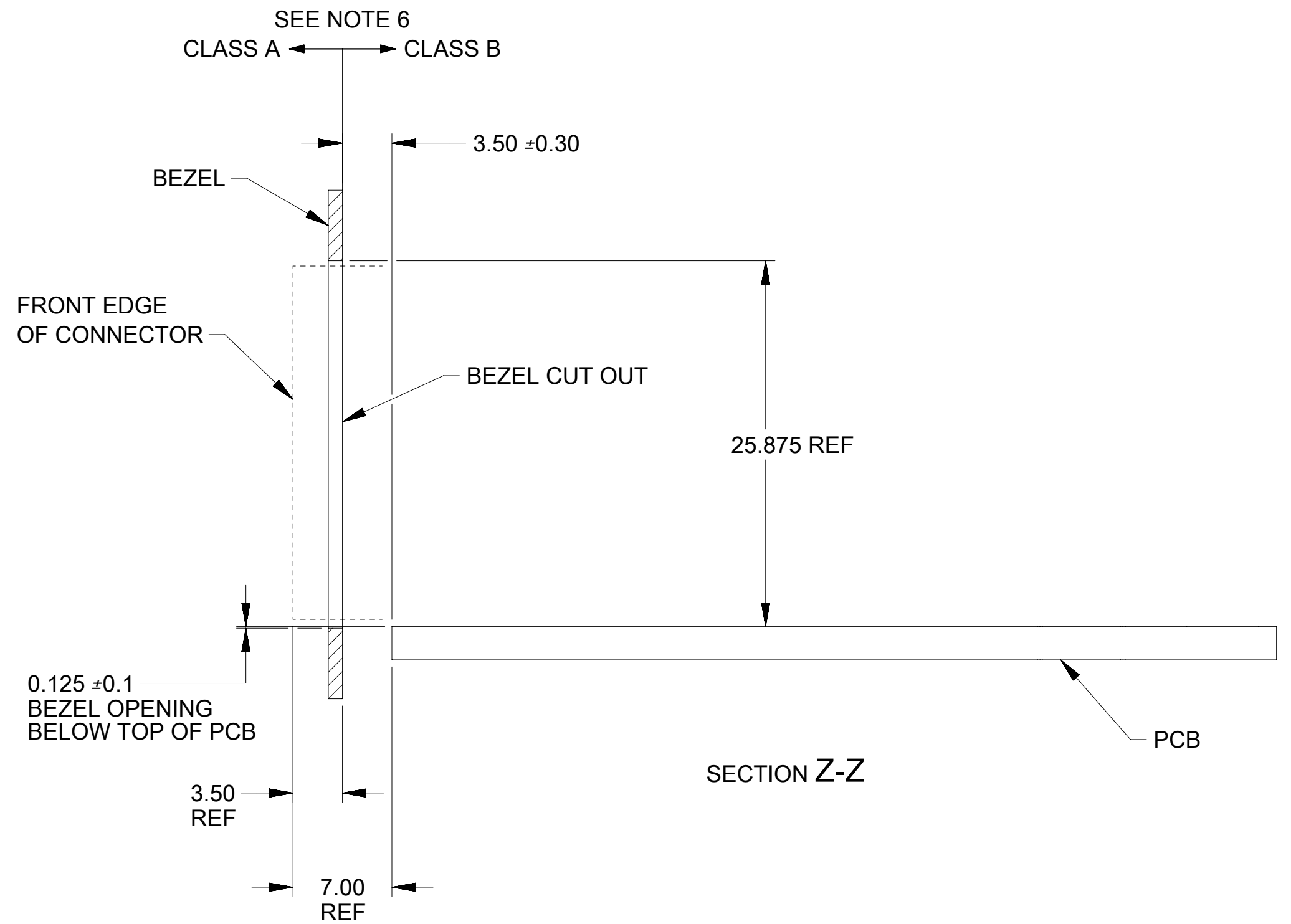


DETAIL A
SCALE 10:1

SYMBOLS		THIS DRAWING CONTAINS INFORMATION THAT IS PROPRIETARY TO MOLEX ELECTRONIC TECHNOLOGIES, LLC AND SHOULD NOT BE USED WITHOUT WRITTEN PERMISSION	
DIMENSION UNITS	SCALE	CURRENT REV DESC: UPDATE TO NEW TAILS	
$\nabla = 0$	mm	3:1	
$\nabla = 0$	GENERAL TOLERANCES (UNLESS SPECIFIED)		
$\nabla = 0$	ANGULAR TOL $\pm 5.0^\circ$		
$\nabla = 0$	4 PLACES	\pm	
$\nabla = 0$	3 PLACES	\pm	
$\nabla = 0$	2 PLACES	± 0.13	
$\nabla = 0$	1 PLACE	± 0.25	
$\nabla = 0$	0 PLACES	\pm	
$\nabla = 0$	DRAFT WHERE APPLICABLE MUST REMAIN WITHIN DIMENSIONS		
$\nabla = 0$	THIRD ANGLE PROJECTION		
$\nabla = 0$	DRAWING		SERIES
$\nabla = 0$	C-SIZE		75640
EC NO: 600319		2018/06/04	
DRWN: SVANG01		2018/06/05	
CHK'D: RWHIPPLE		2018/06/05	
APPR: CHIRSCHY		2018/06/05	
INITIAL REVISION:			
DRWN: JLONG		2004/10/21	
APPR: RNELSON		2004/10/28	
DOCUMENT NUMBER		DOC TYPE	DOC PART
SD-75640-001		PSD	001
MATERIAL NUMBER		CUSTOMER	SHEET NUMBER
GENERAL MARKET		3 OF 4	

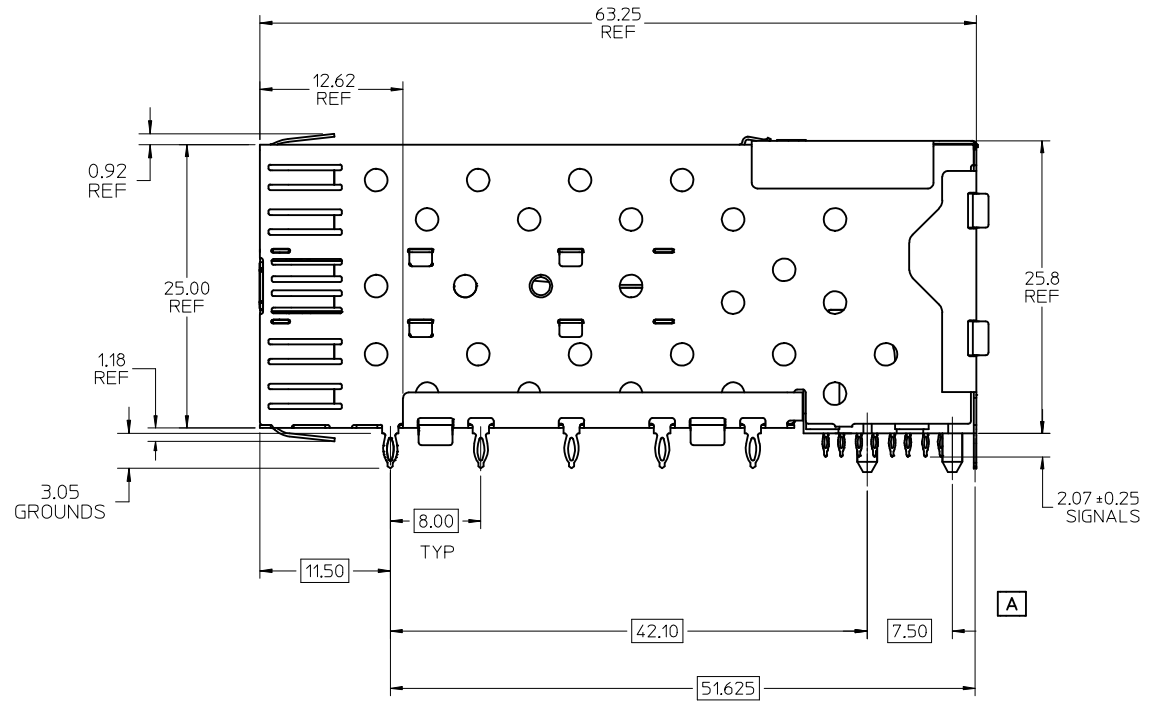
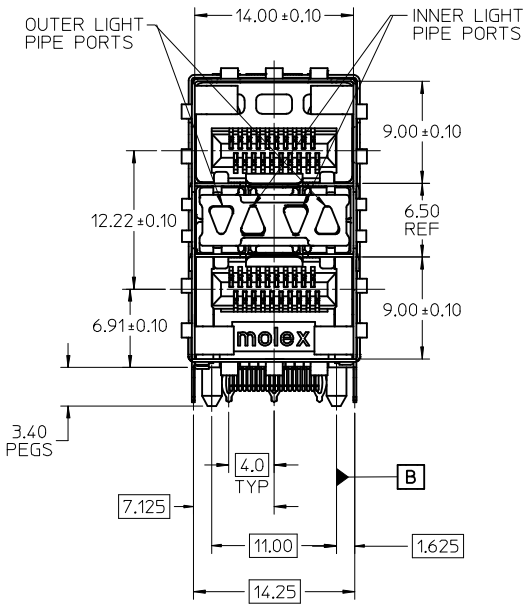


BEZEL CUT-OUT CENTER SPACIING DETAIL
BEZEL THICKNESS 0.8 - 2.6



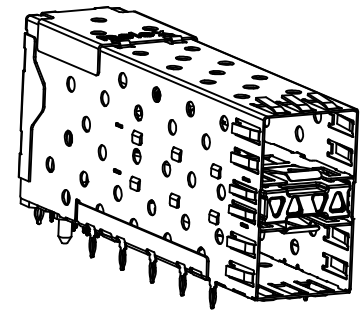
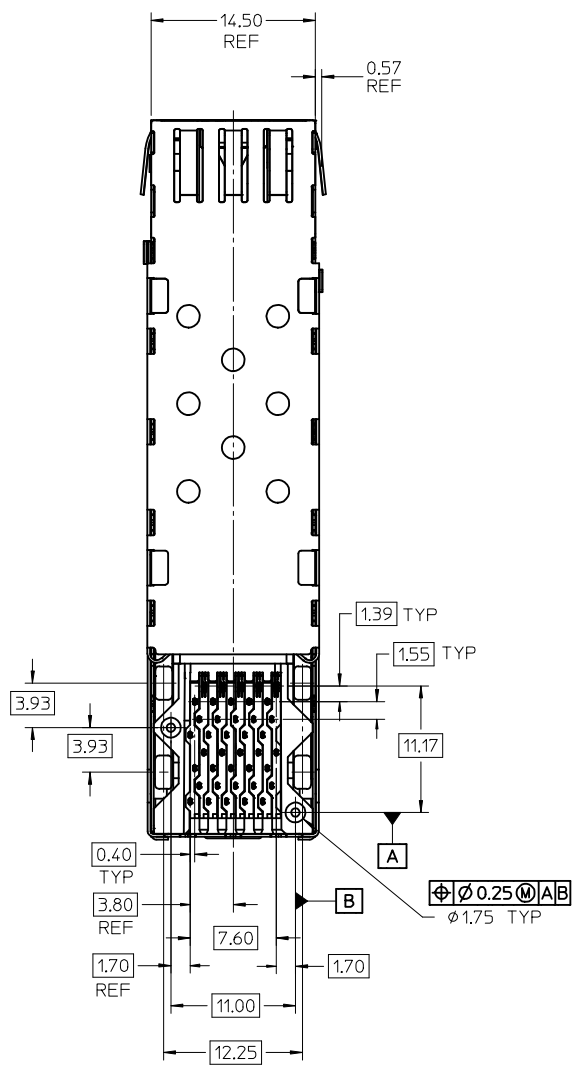
KEEP-OUT ZONE DETAIL
SCALE 5:1

THIS DRAWING CONTAINS INFORMATION THAT IS PROPRIETARY TO MOLEX ELECTRONIC TECHNOLOGIES, LLC AND SHOULD NOT BE USED WITHOUT WRITTEN PERMISSION									
SYMBOLS	DIMENSION UNITS	SCALE	CURRENT REV DESC: UPDATE TO NEW TAILS						
▽ = 0	mm	3:1	molex STACKED SFP 2X1 MEDIUM HEIGHT ASSY, PRESS-FIT TAILS WITH LIGHT PIPES PRODUCT CUSTOMER DRAWING						
▽ = 0	GENERAL TOLERANCES (UNLESS SPECIFIED)								
▽ = 0	ANGULAR TOL ± 5.0°								
▽ = 0	4 PLACES ±								
▽ = 0	3 PLACES ±		EC NO: 600319	2018/06/04			DOCUMENT NUMBER		
▽ = 0	2 PLACES ± 0.13		DRWN: SVANG01	2018/06/05			DOC TYPE DOC PART REVISION		
▽ = 0	1 PLACE ± 0.25		CHK'D: RWHIPPLE	2018/06/05			SD-75640-001		
▽ = 0	0 PLACES ±		APPR: CHIRSCHY	2018/06/05			PSD 001 H		
▽ = 0	DRAFT WHERE APPLICABLE MUST REMAIN WITHIN DIMENSIONS		INITIAL REVISION:		2004/10/21		MATERIAL NUMBER		
▽ = 0	THIRD ANGLE PROJECTION		DRWN: JLONG		2004/10/28		CUSTOMER		
▽ = 0	DRAWING		APPR: RNELSON		75640		GENERAL MARKET		
▽ = 0	C-SIZE		SERIES		4 OF 4		SHEET NUMBER		

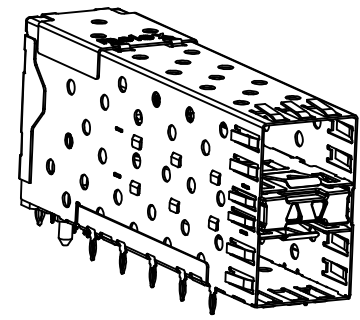


PART NUMBER	DESCRIPTION	VIEW	COMPLIANT TAIL PLATING
75640-2001	4 PORT LIGHT PIPE	SEE PG 2	TIN
	INNER 2 PORTS	SEE PG 2	TIN
	OUTER 2 PORTS	SEE PG 2	TIN

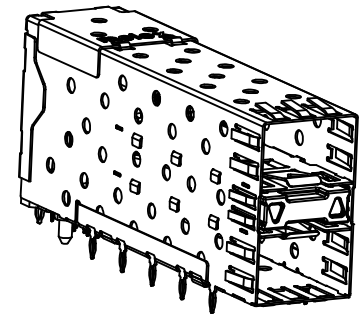
UPDATE ISO VIEWS EC NO: UCP2015-5229 DRWNSVANG01 2015/06/17 CHKD:BBARKER 2015/06/17 APPR:SMILLER 2015/06/30	QUALITY SYMBOLS	GENERAL TOLERANCES (UNLESS SPECIFIED)	DIMENSION STYLE MM ONLY	SCALE 3:1	DESIGN UNITS METRIC	THIRD ANGLE PROJECTION
	▽=0	mm INCH	DRAWN BY DATE BBARKER 2009/11/06	TITLE STACKED SFP 2X1 MEDIUM HEIGHT ASS'Y, PRESS-FIT TAILS WITH LIGHT PIPES	molex	SHEET NO. 1 OF 4
	▽=0	4 PLACES ± --- ± ---	CHECKED BY DATE MIBARRA 2009/11/06	MATERIAL NO. SEE CHART		
	▽=0	3 PLACES ± --- ± ---	APPROVED BY DATE SMILLER 2010/12/09			
REV D	DESCRIPTION	ANGULAR ± 5°	SIZE C	THIS DRAWING CONTAINS INFORMATION THAT IS PROPRIETARY TO MOLEX INCORPORATED AND SHOULD NOT BE USED WITHOUT WRITTEN PERMISSION		



756402001
WITH 4 LIGHT PIPE PORTS

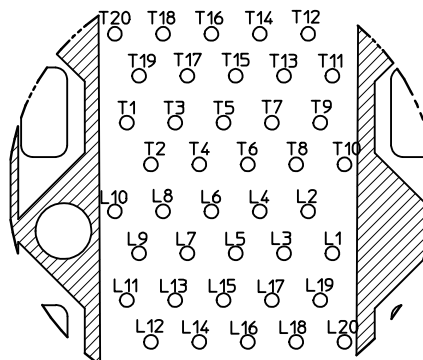
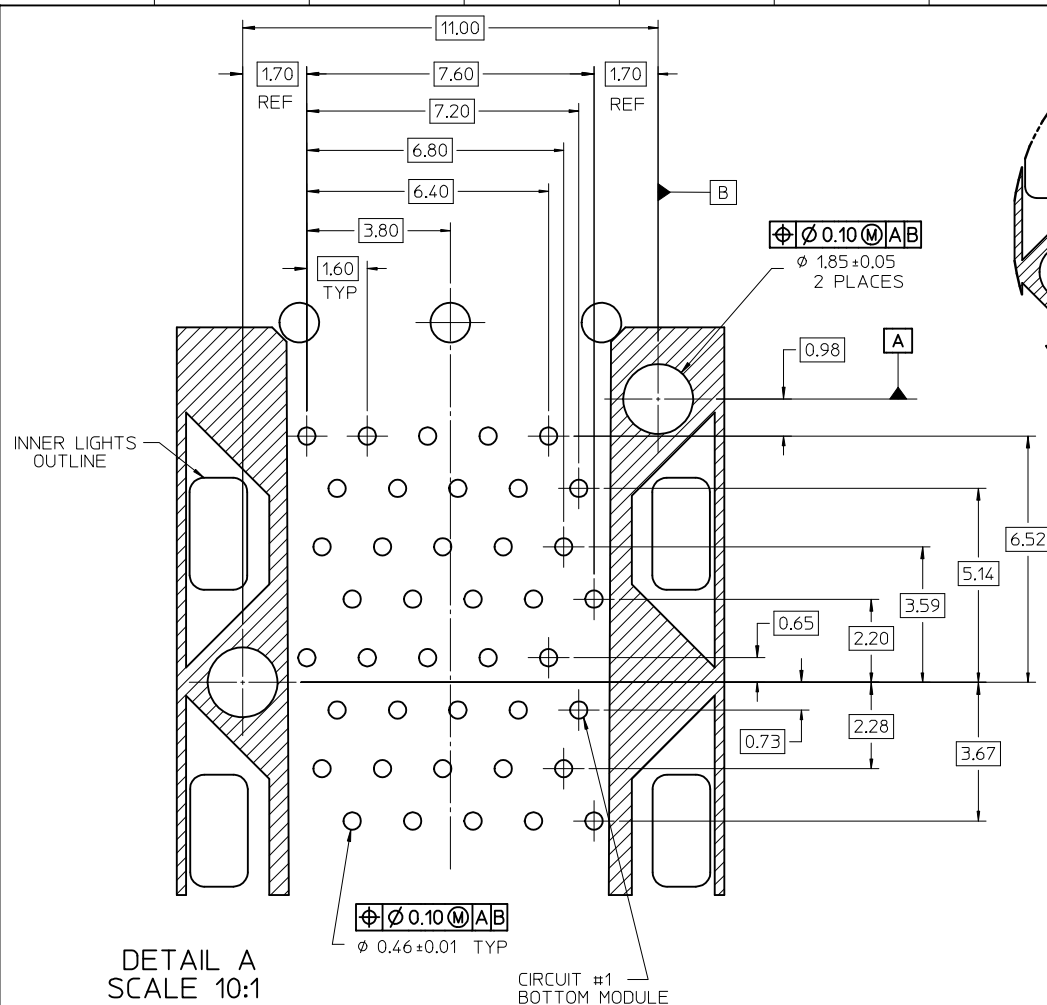


WITH INNER LIGHT PIPE PORTS

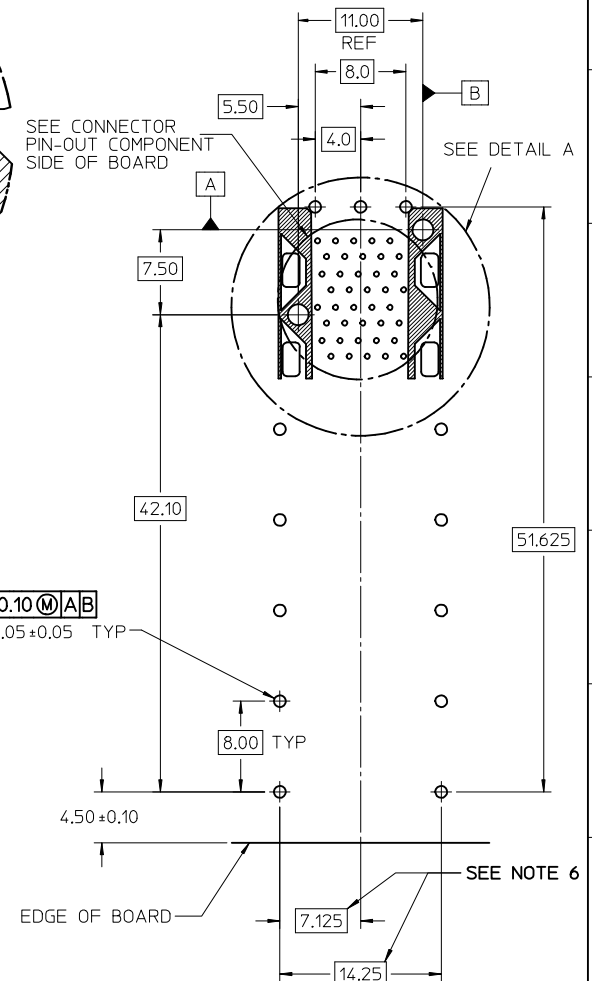


WITH OUTER LIGHT PIPE PORTS

SEE SHEET 1 EC NO: UCP2015-5229 DRWNSYANG01 2015/06/17 CHKD:BBARKER 2015/06/17 APPR:SMILLER 2015/06/30	QUALITY SYMBOLS	GENERAL TOLERANCES (UNLESS SPECIFIED)		DIMENSION STYLE MM ONLY		SCALE 3:1	DESIGN UNITS METRIC	THIRD ANGLE PROJECTION	
	▽=0	mm	INCH	DRAWN BY BBARKER	DATE 2009/11/06	TITLE STACKED SFP 2X1 MEDIUM HEIGHT ASS'Y, PRESS-FIT TAILS WITH LIGHT PIPES molex			
	▽=0	4 PLACES ± ---	± ---	CHECKED BY MIBARRA	DATE 2009/11/06				
	▽=0	3 PLACES ± ---	± ---	APPROVED BY SMILLER	DATE 2010/12/09	DOCUMENT NO. SD-75640-004		SHEET NO. 2 OF 4	
	2 PLACES ± 0.13	± ---	DRAFT WHERE APPLICABLE MUST REMAIN WITHIN DIMENSIONS		SIZE C	THIS DRAWING CONTAINS INFORMATION THAT IS PROPRIETARY TO MOLEX INCORPORATED AND SHOULD NOT BE USED WITHOUT WRITTEN PERMISSION			

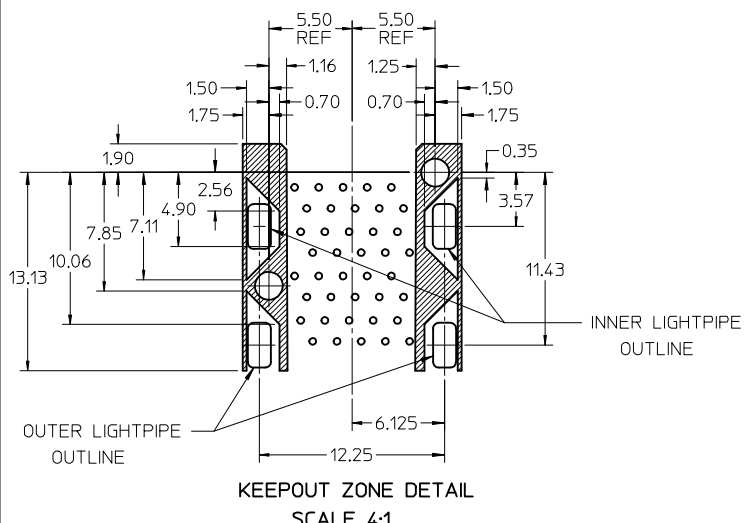


CONNECTOR PIN-OUT COMPONENT SIDE OF BOARD SCALE 10:1



RECOMMENDED PCB LAYOUT - COMPONENT SIDE
MINIMUM PCB THICKNESS OF 1.6mm

DETAIL A
SCALE 10:1



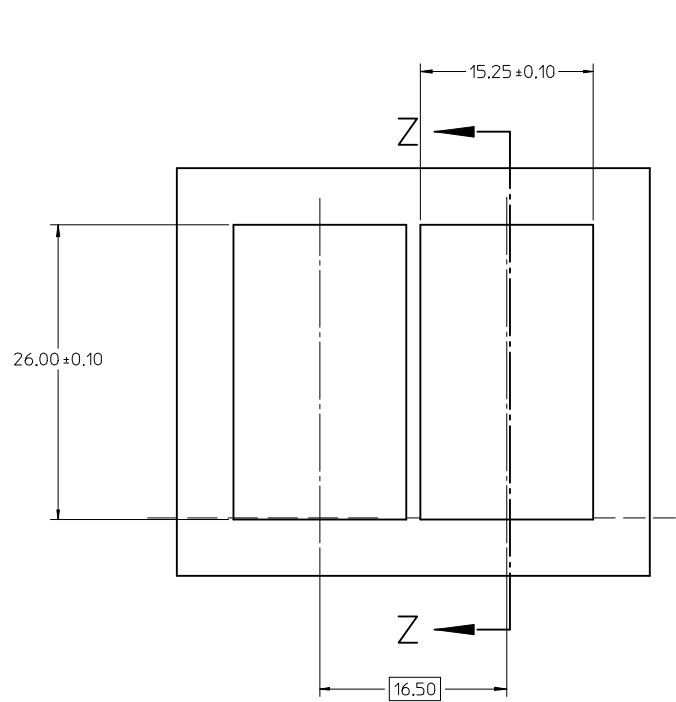
KEEPOUT ZONE DETAIL
SCALE 4:1

SEE SHEET 1 EC NO: UCP2015-5229 DRAWN BY: DRWNSVANG01 CHECKED BY: CHYKD-BARKER APPROVED BY: APPR:SMILLER	2015/06/17	2015/06/17	2015/06/30
	DESCRIPTION	QUALITY SYMBOLS	

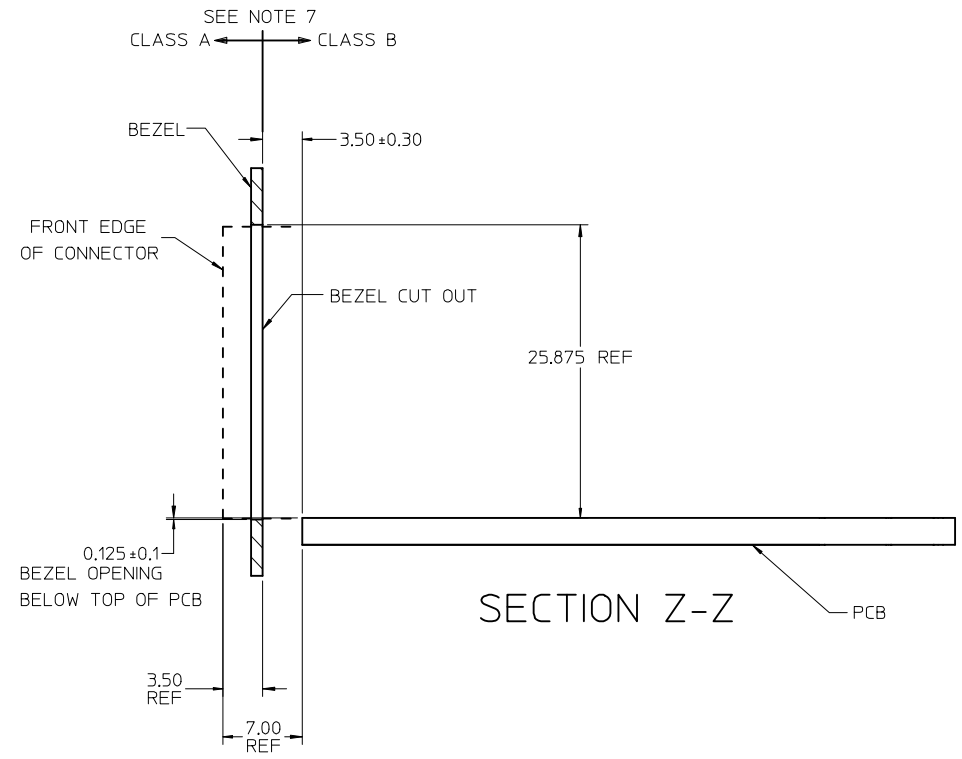
GENERAL TOLERANCES (UNLESS SPECIFIED)	
	mm INCH
4 PLACES	± --- ± ---
3 PLACES	± --- ± ---
2 PLACES	± 0.13 ± ---
1 PLACE	± 0.25 ± ---
0 PLACE	± --- ± ---
ANGULAR ± 5 °	
DRAFT WHERE APPLICABLE MUST REMAIN WITHIN DIMENSIONS	

DIMENSION STYLE MM ONLY	
DRAWN BY	DATE
BBARKER	2009/11/06
CHECKED BY	DATE
MIBARRA	2009/11/06
APPROVED BY	DATE
SMILLER	2010/12/09
MATERIAL NO.	
SEE SHEET 1	

SCALE 3:1	DESIGN UNITS METRIC	THIRD ANGLE PROJECTION
STACKED SFP 2X1 MEDIUM HEIGHT ASS'Y, PRESS-FIT TAILS WITH LIGHT PIPES		
molex		
DOCUMENT NO. SD-75640-004	SHEET NO. 3 OF 4	
THIS DRAWING CONTAINS INFORMATION THAT IS PROPRIETARY TO MOLEX INCORPORATED AND SHOULD NOT BE USED WITHOUT WRITTEN PERMISSION		



BEZEL CUT-OUT CENTER SPACING DETAIL
BEZEL THICKNESS 0.8-2.6



SEE SHEET 1 EC NO: UCP2015-5229 DRWNS:VANG01 2015/06/17 CHKD:BBARKER 2015/06/17 APPR:SMILLER 2015/06/30	QUALITY SYMBOLS ∇=0 ∇=0 ∇=0	GENERAL TOLERANCES (UNLESS SPECIFIED)		DIMENSION STYLE MM ONLY		SCALE 3:1	DESIGN UNITS METRIC	THIRD ANGLE PROJECTION	
		4 PLACES ± --- ± ---	mm INCH	DRAWN BY BBARKER	DATE 2009/11/06	TITLE STACKED SFP 2X1 MEDIUM HEIGHT ASS'Y, PRESS-FIT TAILS WITH LIGHT PIPES molex			
		3 PLACES ± --- ± ---		CHECKED BY MIBARRA	DATE 2009/11/06				
		2 PLACES ± 0.13 ± ---		APPROVED BY SMILLER	DATE 2010/12/09	MATERIAL NO. SEE SHEET 1	DOCUMENT NO. SD-75640-004	SHEET NO. 4 OF 4	
1 PLACE ± 0.25 ± ---		ANGULAR ± 5 °		DRAFT WHERE APPLICABLE MUST REMAIN WITHIN DIMENSIONS					
0 PLACE ± --- ± ---				THIS DRAWING CONTAINS INFORMATION THAT IS PROPRIETARY TO MOLEX INCORPORATED AND SHOULD NOT BE USED WITHOUT WRITTEN PERMISSION					