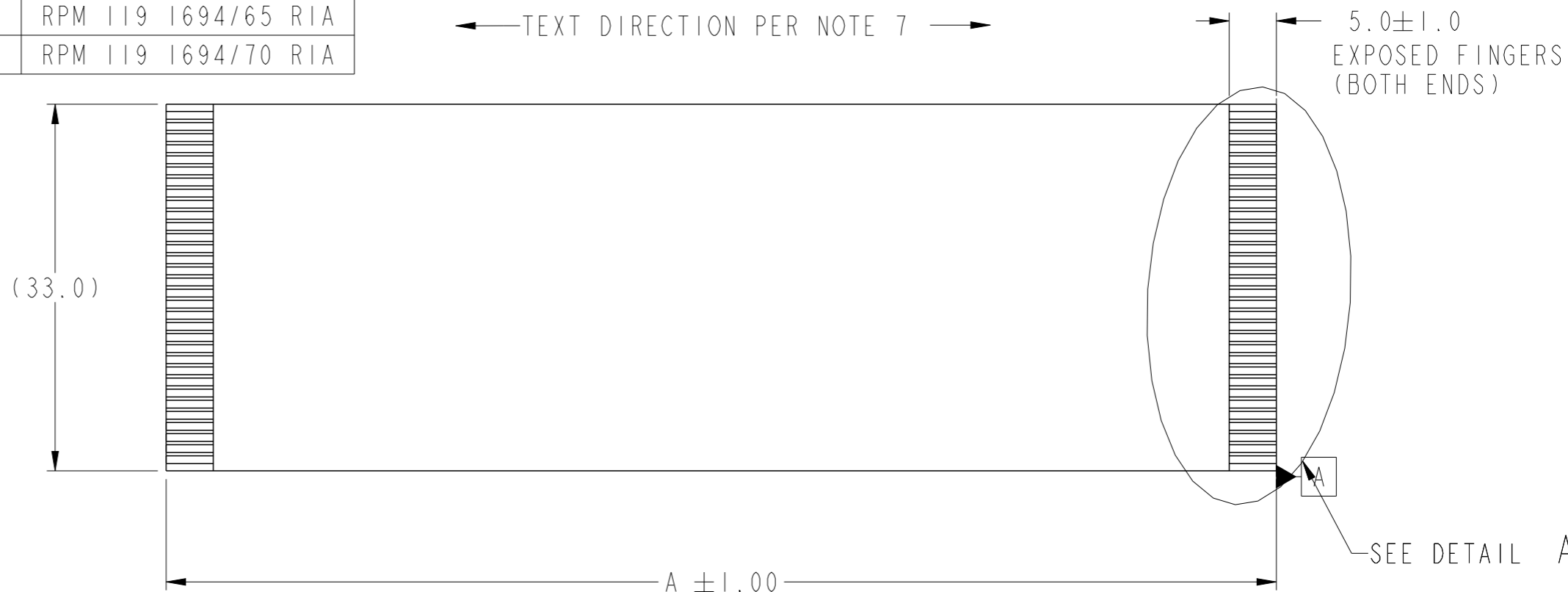


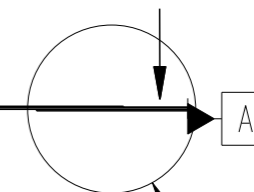
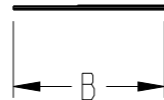
PRODUCT NUMBER	DIM-A	DIM-B (2 PLACES)	CUSTOMER PART NUMBER (SEE NOTE 7)
10116105-001LF	100.0	10.0	RPM 119 1694/100 RIA
10116105-002LF	90.0	15.0	RPM 119 1695/90 RIA
10116105-003LF	150.0	15.0	RPM 119 1695/150 RIA
10116105-004LF	60.0	15.0	RPM 119 1695/60 RIA
10116105-005LF	75.0	15.0	RPM 119 1695/75 RIA
10116105-006LF	100.0	15.0	RPM 119 1695/100 RIA
10116105-007LF	65.0	10.0	RPM 119 1694/65 RIA
10116105-008LF	70.0	10.0	RPM 119 1694/70 RIA

← COPPER GRAIN DIRECTION →
 ← TEXT DIRECTION PER NOTE 7 →

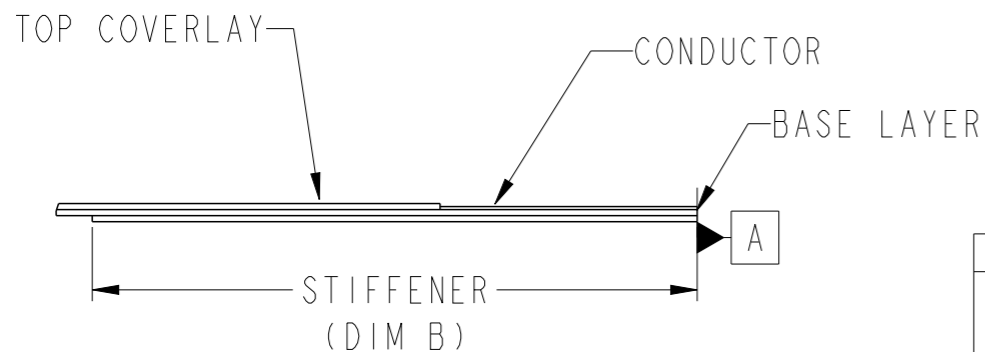


EXPOSED FINGERS

EXPOSED FINGERS



MARK THIS SIDE OF CIRCUIT
SEE NOTE 7

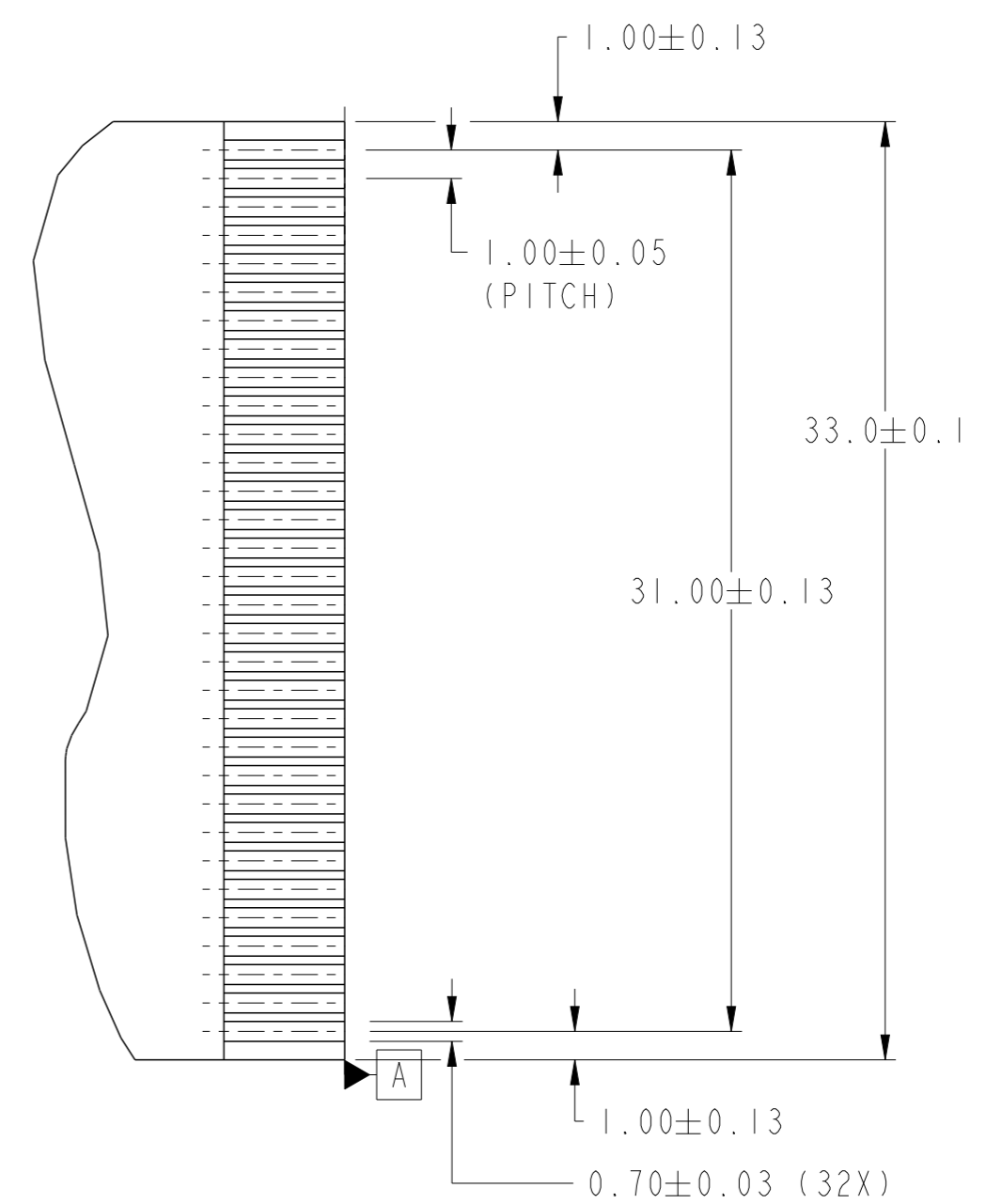


DETAIL B
SCALE 8:1

spec ref	-	dr	Steve Pressel	2010/10/07	projection	MM	size	A3	scale	2:1	
tolerance std	ASME Y14.5	eng	Yong Huang	2012/10/09			ecn no	ELX-N-013037-1			
TOLERANCES UNLESS OTHERWISE SPECIFIED		chr	-	2012/10/12			product family	-	rel level	Released	
surface	✓	appr	Rick Bian				dwg no	10116105		rev	C
ASME Y14.5	linear	0.X	±0.5	0.XX	±0.30	0.XXX	±	angular	0°	±°	www.fci.com
		cat. no.			-		Product - Customer Drw		sheet 1 of 2		

PRODUCT NUMBER	DIM-A	DIM-B (2 PLACES)	CUSTOMER PART NUMBER (SEE NOTE 7)
10116105-001LF	100.0	10.0	RPM 119 1694/100 RIA
10116105-002LF	90.0	15.0	RPM 119 1695/90 RIA
10116105-003LF	150.0	15.0	RPM 119 1695/150 RIA
10116105-004LF	60.0	15.0	RPM 119 1695/60 RIA
10116105-005LF	75.0	15.0	RPM 119 1695/75 RIA
10116105-006LF	100.0	15.0	RPM 119 1695/100 RIA
10116105-007LF	65.0	10.0	RPM 119 1694/65 RIA
10116105-008LF	70.0	10.0	RPM 119 1694/70 RIA

- NOTES:
- SURFACE FINISH: PURE TIN LEAD FREE 1µm MIN.
 - MATERIAL STACK-UP:
 1 MIL FLAME RESISTANT POLYESTER (TOP COVERLAY)
 ADHESIVE THICKNESS AS NEEDED
 FFC COPPER FOIL
 1 MIL ADHESIVE
 2 MIL FLAME RESISTANT POLYESTER (BASE)
 2 MIL PSA
 POLYESTER (STIFFENER)
 - THICKNESS AT ZIFF ENDS TO BE 0.30±0.05
 - BUILD TO IPC 6013 CLASS 2
 - CABLE RATING VWI-100V
 - THIS PART TO BE RoHS COMPLIANT
 - THE FOLLOWING ITEMS ARE TO BE MARKED AS NOTED:
 RPM 119 169*/*** RIA (USE TABULATED CHART FOR SELECTING CUSTOMER P/N)
 Flex Circuit
 DATE CODE (YYYY-MM-DD), FACTORY CODE, BATCH NUMBER
 - BATCH CODE LISTED IN NOTE # 7 IS FOR TRACEABILITY AND CHANGES PER MANUFACTURING RUNS
 - TECHNICAL DATA (AMBIENT TEMPERATURE IS 25°C UNLESS OTHERWISE NOTED)
 CONDUCTOR RESISTANCE: 630 Ω/km
 INSULATION RESISTANCE: 100MΩ (DC500V, 60 sec)
 RATED VOLTAGE: 300V
 TEST VOLTAGE: 500V
 RATED CURRENT: 1.5A MAXIMUM PER CONDUCTOR
 IMPEDANCE: 80Ω (GROUND-SIGNAL-GROUND)
 INDUCTANCE: 0.36µH/m
 OPERATING TEMPERATURE RANGE: -40°C to 105°C
 - ESD (ANTI-STATIC) PACKAGING REQUIRED



DETAIL A
SCALE 4:1

Copyright FCI.

spec ref	-	dr	Steve Pressel	2010/10/07	projection	MM	size	A3	scale	2:1	
tolerance std	ASME Y14.5	eng	Yong Huang	2012/10/09			ecn no	ELX-N-013037-1			
TOLERANCES UNLESS OTHERWISE SPECIFIED		chr	-	-			rel level	Released			
surface	✓ linear	appr	Rick Bian	2012/10/12	product family	-	rel level	Released			
ASME Y14.5	angular	0.X	±0.5		FLEX CIRCUIT		dwg no	10116105		rev	C
		0.XX	±0.30		32 POSITIONS						
		0.XXX	±								
ASME Y14.5		0°	±°	www.fci.com	cat. no.	-	Product - Customer Drw		sheet 2 of 2		