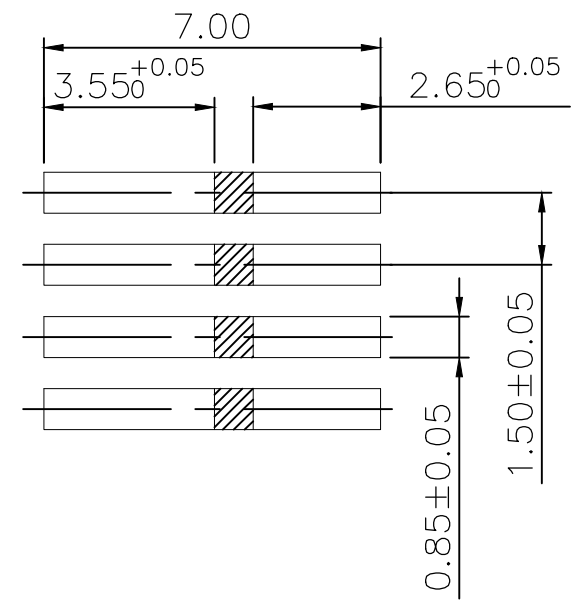
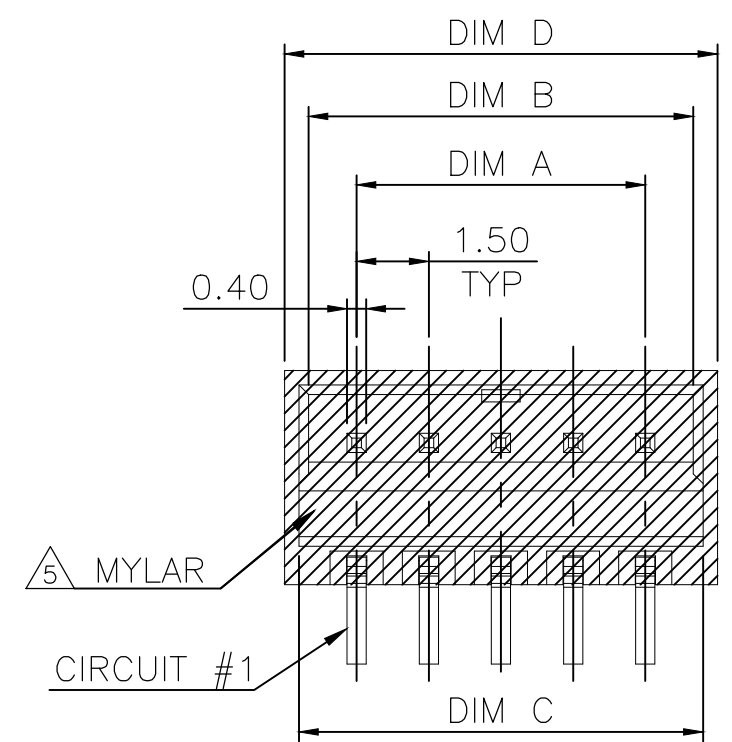


THIS DRAWING IS UNPUBLISHED. RELEASED FOR PUBLICATION
 © COPYRIGHT - TE Connectivity Ltd. ALL RIGHTS RESERVED.

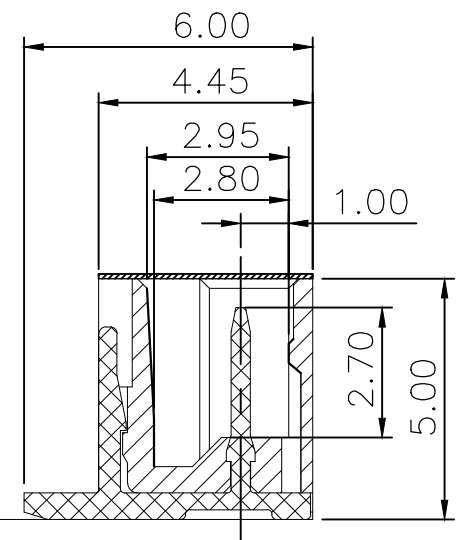
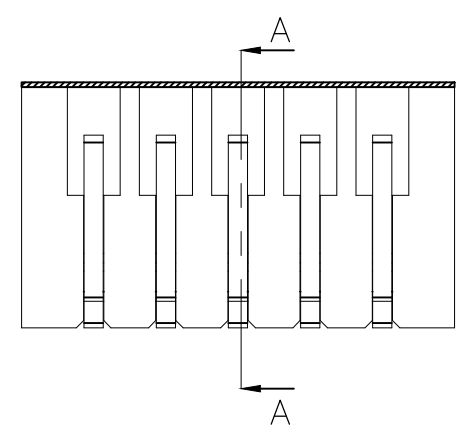
REVISIONS				
P	LTR	DESCRIPTION	DATE	APVD
	B5	ECR-19-002226	13FEB2019	T.Q W.H

NOTES:

- MATERIALS:
HOUSING: THERMOPLASTIC, UL94-V0, COLOR: NATURAL.
TERMINAL: BRASS, THICKNESS=0.4mm.
MYLAR: POLYIMIDE FILM
- FINISH:
TERMINAL: 100μ" MIN. BRIGHT TIN PLATED OVER
50μ" MIN. NICKEL UNDERPLATED ALL OVER.
- TERMINAL RETENTION FORCE: 1.0 Kgf MIN.
- REFLOW SOLDER CAPABLE TO 260°C PER TE CONNECTIVITY SPEC 109-201, CONDITION B.
- MYLAR ATTACHED

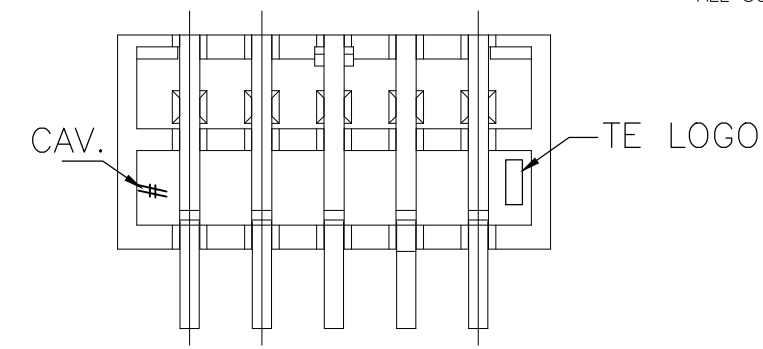


RECOMMENDED PCB LAYOUT



SECTION A-A

0.10
ALL SOLDERTAILS



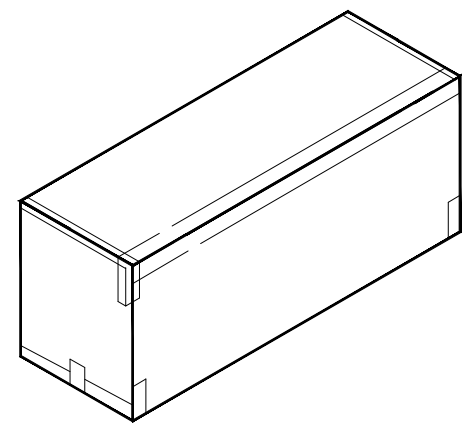
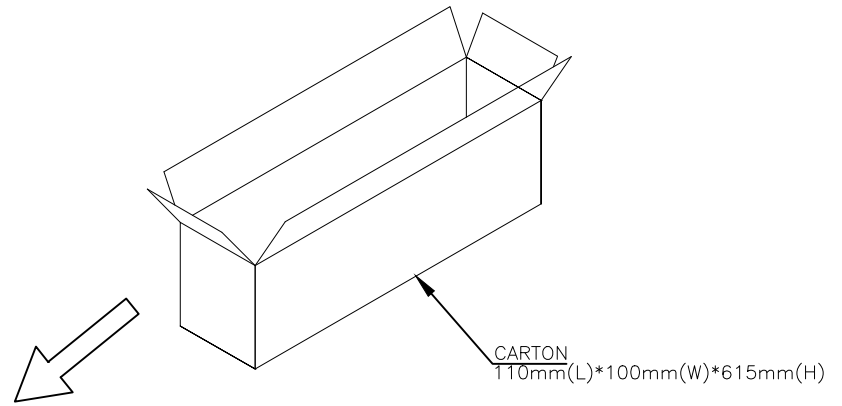
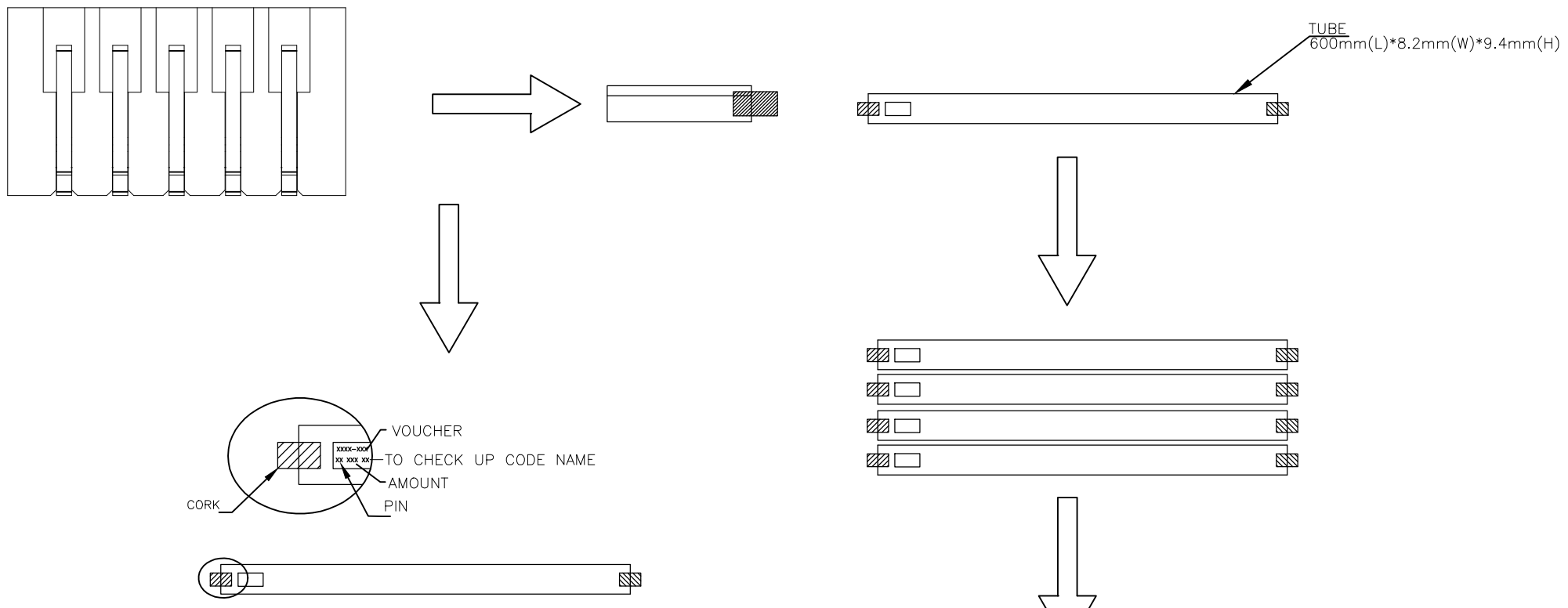
MYLAR	PACKAGE	DIMENSIONS				POS.	PART NUMBER
		D	C	B	A		
W/	REEL	24.00	23.40	23.00	21.00	15	6-1775443-5
		22.50	21.90	21.50	19.50	14	6-1775443-4
		21.00	20.40	20.00	18.00	13	6-1775443-3
		19.50	18.90	18.50	16.50	12	6-1775443-2
		18.00	17.40	17.00	15.00	11	6-1775443-1
		16.50	15.90	15.50	13.50	10	6-1775443-0
		15.00	14.40	14.00	12.00	9	5-1775443-9
		13.50	12.90	12.50	10.50	8	5-1775443-8
		12.00	11.40	11.00	9.00	7	5-1775443-7
		10.50	9.90	9.50	7.50	6	5-1775443-6
		9.00	8.40	8.00	6.00	5	5-1775443-5
		7.50	6.90	6.50	4.50	4	5-1775443-4
		6.00	5.40	5.00	3.00	3	5-1775443-3
		4.50	3.90	3.50	1.50	2	5-1775443-2
		W/O	TUBE	24.00	23.40	23.00	21.00
22.50	21.90			21.50	19.50	14	1-1775443-4
21.00	20.40			20.00	18.00	13	1-1775443-3
19.50	18.90			18.50	16.50	12	1-1775443-2
18.00	17.40			17.00	15.00	11	1-1775443-1
16.50	15.90			15.50	13.50	10	1-1775443-0
15.00	14.40			14.00	12.00	9	1775443-9
13.50	12.90			12.50	10.50	8	1775443-8
12.00	11.40			11.00	9.00	7	1775443-7
10.50	9.90			9.50	7.50	6	1775443-6
9.00	8.40			8.00	6.00	5	1775443-5
7.50	6.90			6.50	4.50	4	1775443-4
6.00	5.40			5.00	3.00	3	1775443-3
4.50	3.90			3.50	1.50	2	1775443-2

THIS DRAWING IS A CONTROLLED DOCUMENT.

DIMENSIONS: mm	TOLERANCES UNLESS OTHERWISE SPECIFIED:	DWN Tommy Qian 08NOV2018	TE Connectivity EMIX CONN., VERTICAL 1.5mm PITCH, HDR			
	0 PLC ± -	CHK Wenke He 08NOV2018				
	1 PLC ± 0.25	APVD Wenke He 08NOV2018				
	2 PLC ± 0.15	NAME				
3 PLC ± 0.10	PRODUCT SPEC	108-57631	SIZE	CAGE CODE	DRAWING NO	RESTRICTED TO
4 PLC ± -	FINISH	114-57018	A3	00779	C-1775443	-
ANGLES ± -	SEE NOTE	WEIGHT -	CUSTOMER DRAWING			
MATERIAL SEE NOTE	SEE NOTE	SCALE - SHEET 1 OF 3 REV B5				

THIS DRAWING IS UNPUBLISHED. RELEASED FOR PUBLICATION
 © COPYRIGHT - TE Connectivity Ltd. ALL RIGHTS RESERVED.

REVISIONS				
P	LTR	DESCRIPTION	DATE	APVD
-	-	SEE SHEET 1	-	-



PCS/TUBE	TUBES/CARTON	QUANTITY (PCS)	POS.	PART NUMBER
20	100	2000	15	1-1775443-5
25	100	2500	14	1-1775443-4
25	100	2500	13	1-1775443-3
25	100	2500	12	1-1775443-2
30	100	3000	11	1-1775443-1
35	100	3500	10	1-1775443-0
35	100	3500	9	1775443-9
40	100	4000	8	1775443-8
45	100	4500	7	1775443-7
55	100	5500	6	1775443-6
60	100	6000	5	1775443-5
75	100	7500	4	1775443-4
95	100	9500	3	1775443-3
125	100	12500	2	1775443-2

THIS DRAWING IS A CONTROLLED DOCUMENT.		DWN	TE Connectivity		
DIMENSIONS: mm		CHK	NAME		
		APVD	EMIX CONN., VERTICAL 1.5mm PITCH, HDR		
TOLERANCES UNLESS OTHERWISE SPECIFIED:		PRODUCT SPEC	SIZE	CAGE CODE	DRAWING NO
0 PLC ± -	1 PLC ± -	APPLICATION SPEC	A3	00779	C-1775443
2 PLC ± -	3 PLC ± -	WEIGHT	RESTRICTED TO		
4 PLC ± -	ANGLES ± -		-		
MATERIAL	FINISH	CUSTOMER DRAWING	SCALE	SHEET	REV
			-	2 of 3	B5

THIS DRAWING IS UNPUBLISHED.

RELEASED FOR PUBLICATION

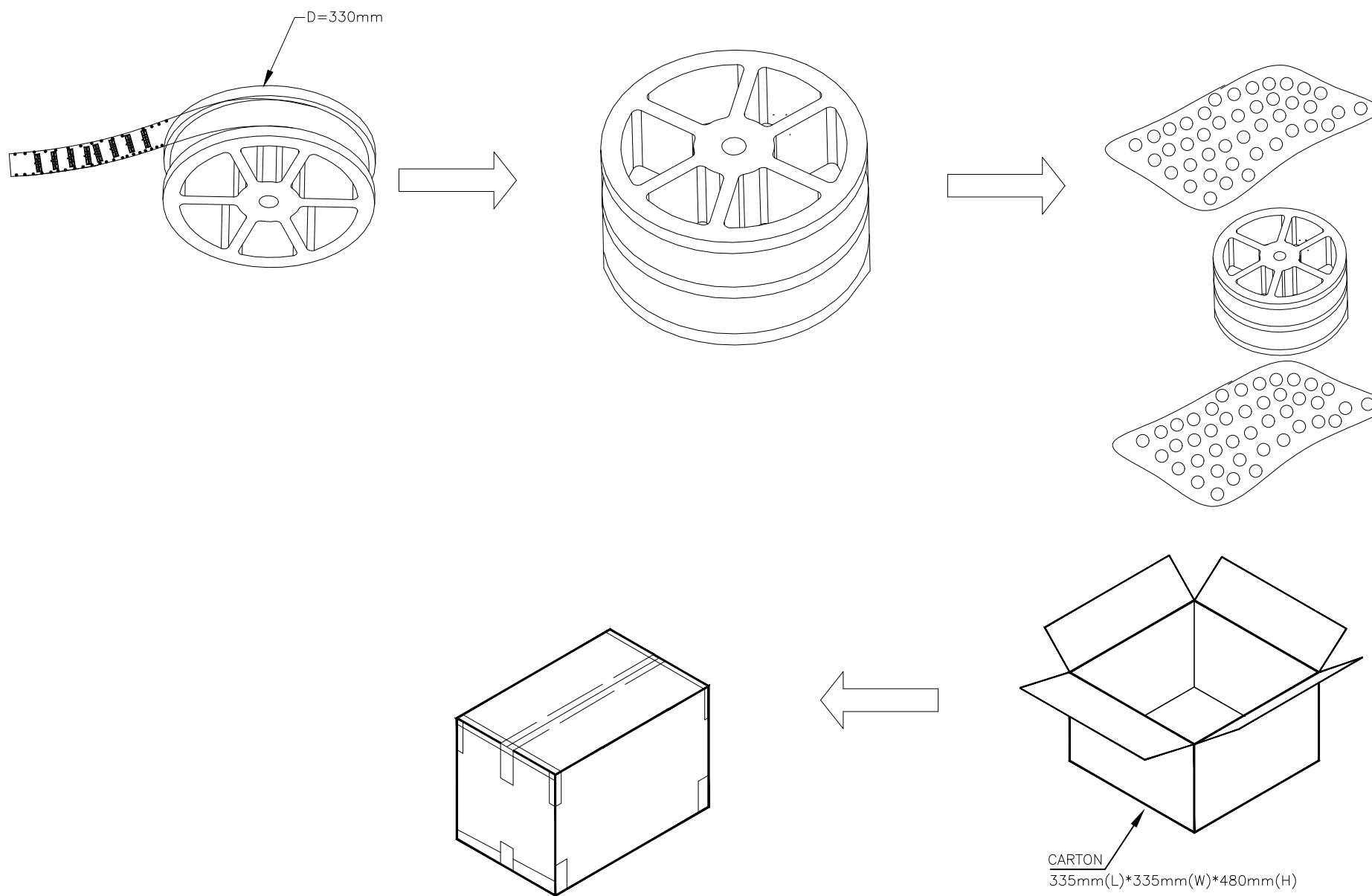
-. -. .

REVISIONS

© COPYRIGHT - TE Connectivity Ltd.

ALL RIGHTS RESERVED.

P	LTR	DESCRIPTION	DATE	DWN	APVD
-	-	SEE SHEET 1	-	-	-



800	4	3200	15	6-1775443-5
800	4	3200	14	6-1775443-4
800	4	3200	13	6-1775443-3
800	4	3200	12	6-1775443-2
800	4	3200	11	6-1775443-1
800	4	3200	10	6-1775443-0
800	6	4800	9	5-1775443-9
800	6	4800	8	5-1775443-8
800	6	4800	7	5-1775443-7
800	6	4800	6	5-1775443-6
800	6	4800	5	5-1775443-5
800	9	7200	4	5-1775443-4
800	9	7200	3	5-1775443-3
800	9	7200	2	5-1775443-2
PCS/REEL	REELS/CARTON	QUANTITY (PCS)	POS.	PART NUMBER

THIS DRAWING IS A CONTROLLED DOCUMENT.		DWN	TE Connectivity EMIX CONN., VERTICAL 1.5mm PITCH, HDR				
DIMENSIONS: mm		CHK					
TOLERANCES UNLESS OTHERWISE SPECIFIED:		APVD					
0 PLC ± - 1 PLC ± - 2 PLC ± - 3 PLC ± - 4 PLC ± - ANGLES ± -		PRODUCT SPEC					
MATERIAL		FINISH	APPLICATION SPEC	SIZE	CAGE CODE	DRAWING NO	RESTRICTED TO
			WEIGHT	A3	00779	C-1775443	-
CUSTOMER DRAWING			SCALE	SHEET	REV		
			-	3 OF 3	B5		