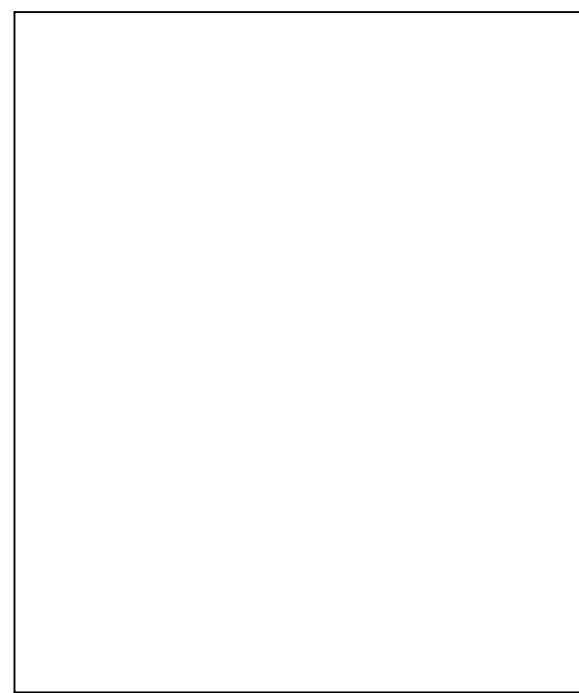
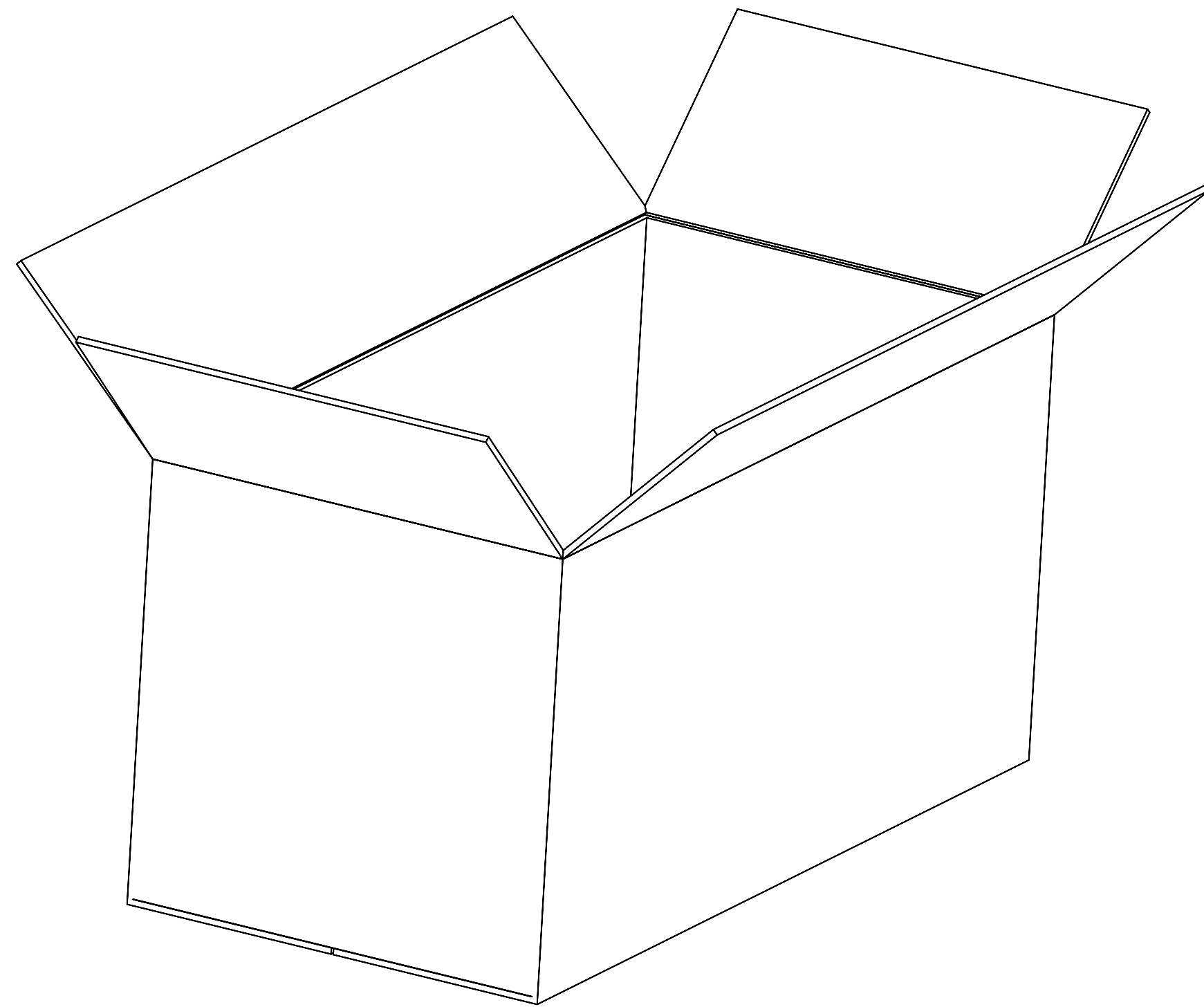


PRODUCT
 PN-73415-0970
 PN-73415-0973
 PN-73415-0974



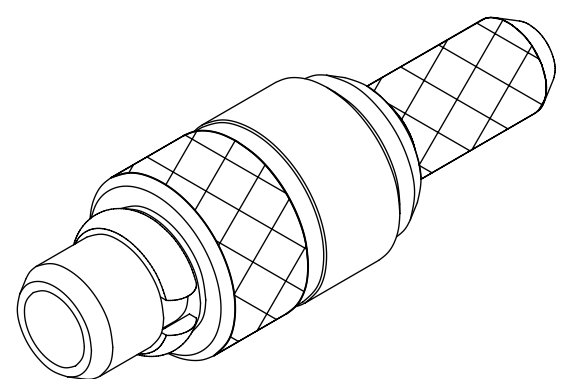
500 SETS PER POLY BAG
 POLY BAG PART NO. 89707-0001



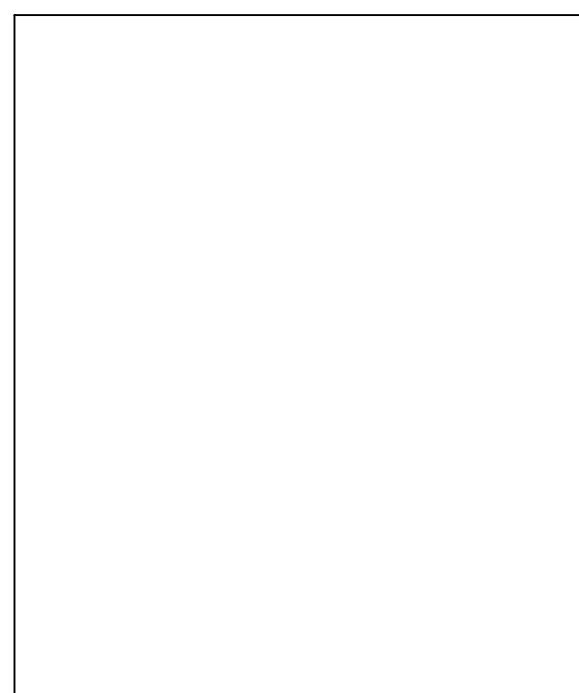
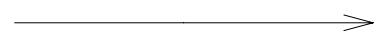
4000 SETS PER OUTER CARTON BOX
 PART NO. 96707-0002

SYMBOLS = 0 = 0 = 0 = 0 = 0 = 0 = 0 = 0 = 0 = 0	THIS DRAWING CONTAINS INFORMATION THAT IS PROPRIETARY TO MOLEX ELECTRONIC TECHNOLOGIES, LLC AND SHOULD NOT BE USED WITHOUT WRITTEN PERMISSION																	
	DIMENSION UNITS		SCALE		CURRENT REV DESC:													
	HYBRID		1:1		EC NO: 630843													
	GENERAL TOLERANCES (UNLESS SPECIFIED)				DRWN: JSU18		2020/01/21				MMCX PLUG, STRAIGHT 50 OHMS, FOR RG178 CABLE MMCX-PC							
	ANGULAR TOL ± 2.0°				CHK'D: YCHENG		2020/01/22											
	4 PLACES ±				APPR: YCHENG		2020/01/22				PRODUCT CUSTOMER DRAWING							
	3 PLACES ±				INITIAL REVISION:		DRWN: RFC_PLMIMP				DOCUMENT NUMBER		DOC TYPE		DOC PART		REVISION	
	2 PLACES ± 0.25				APPR: JWENER		2017/12/28				SD-73415-097		PSD		001		B6	
	1 PLACE ±				THIRD ANGLE PROJECTION		DRAWING		SERIES		MATERIAL NUMBER		CUSTOMER		SHEET NUMBER			
	0 PLACES ±				DRAFT WHERE APPLICABLE MUST REMAIN WITHIN DIMENSIONS		C-SIZE		73415				TS-SCI		2 OF 4			

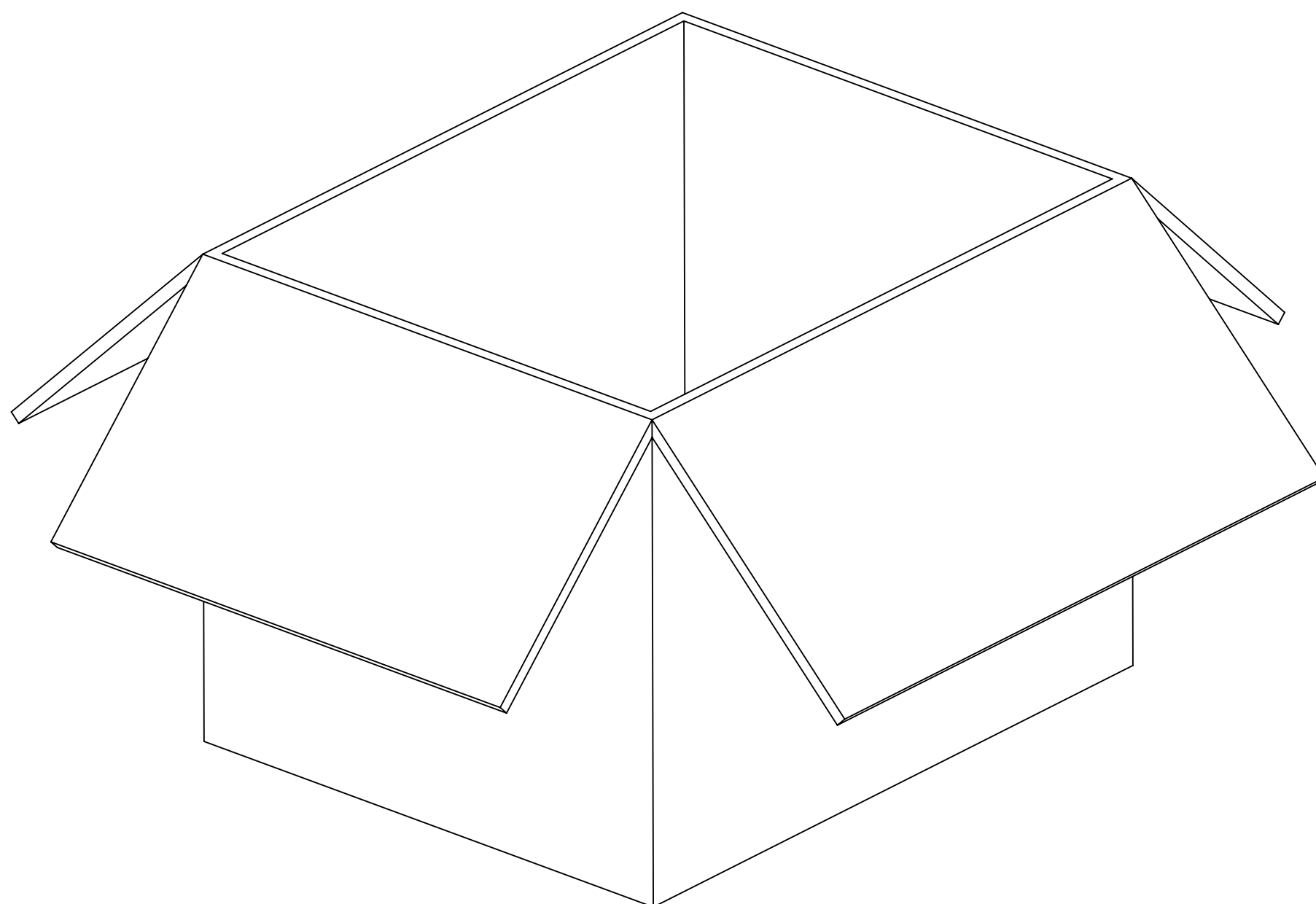
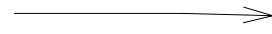
DOCUMENT STATUS	P1	RELEASE DATE	2020/01/22	01:34:23
-----------------	----	--------------	------------	----------



PRODUCT
PN-73415-0971

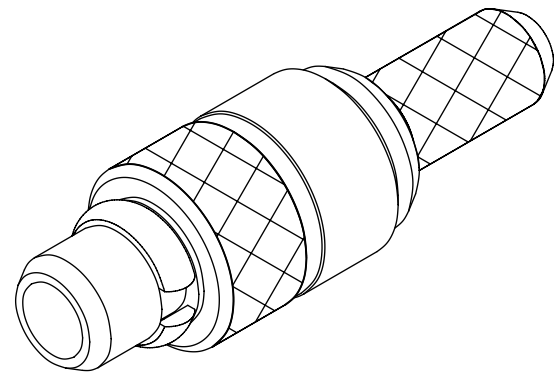


500 SETS PER POLY BAG
POLY BAG PART NO. 89707-0007

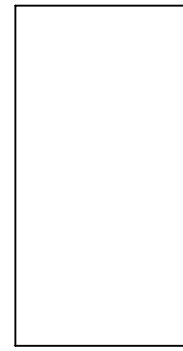
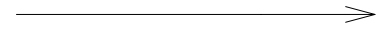


4000 SETS PER OUTER CARTON BOX
PART NO. 89499-9027

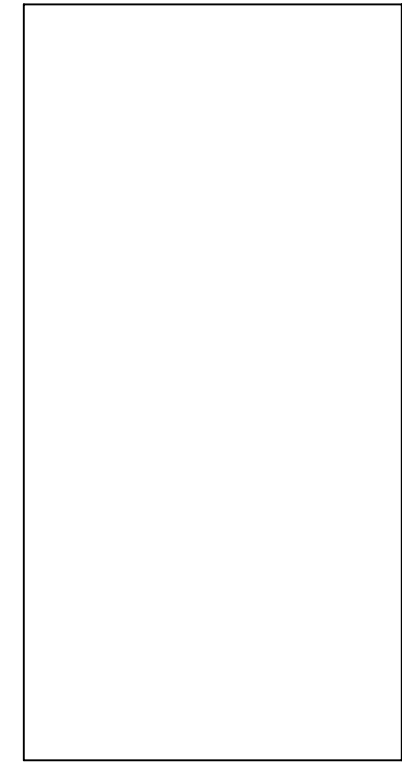
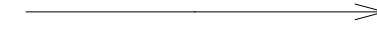
SYMBOLS = 0 = 0 = 0 = 0 = 0 = 0 = 0 = 0 = 0	THIS DRAWING CONTAINS INFORMATION THAT IS PROPRIETARY TO MOLEX ELECTRONIC TECHNOLOGIES, LLC AND SHOULD NOT BE USED WITHOUT WRITTEN PERMISSION																
	DIMENSION UNITS		SCALE		CURRENT REV DESC:												
	HYBRID		1:1		EC NO: 630843												
	GENERAL TOLERANCES (UNLESS SPECIFIED)				DRWN: JSU18		2020/01/21		MMCX PLUG, STRAIGHT								
	ANGULAR TOL ± 2.0°				CHK'D: YCHENG		2020/01/22		50 OHMS, FOR RG178 CABLE MMCX-PC								
	4 PLACES ±				APPR: YCHENG		2020/01/22		PRODUCT CUSTOMER DRAWING								
	3 PLACES ±				INITIAL REVISION:				DOCUMENT NUMBER								
	2 PLACES ± 0.25				DRWN: RFC_PLMIMP		2017/12/28		SD-73415-097		DOC TYPE		DOC PART		REVISION		
	1 PLACE ±				APPR: JWIENER		2007/01/09		PSD		001		B6				
	0 PLACES ±				DRAFT WHERE APPLICABLE MUST REMAIN WITHIN DIMENSIONS		THIRD ANGLE PROJECTION		DRAWING		SERIES		MATERIAL NUMBER		CUSTOMER		SHEET NUMBER
						C-SIZE		73415		TS-SCI		3 OF 4					



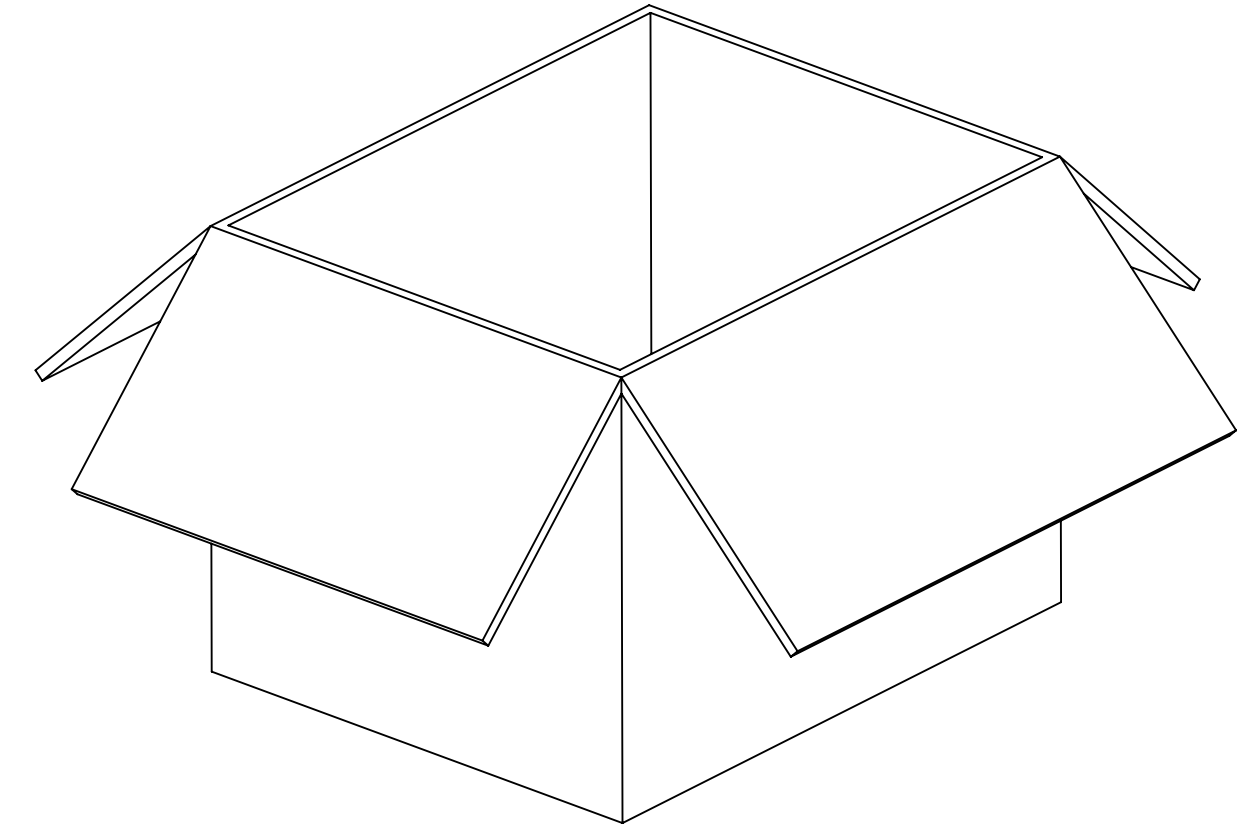
PRODUCT
PN-73415-0972



1 SET PER POLY BAG
POLY BAG PART NO. 89707-0317



50 SETS PER POLY BAG
POLY BAG PART NO. 89707-0174



500 SETS PER OUTER CARTON BOX
PART NO. 89499-9027

THIS DRAWING CONTAINS INFORMATION THAT IS PROPRIETARY TO MOLEX ELECTRONIC TECHNOLOGIES, LLC AND SHOULD NOT BE USED WITHOUT WRITTEN PERMISSION									
SYMBOLS	DIMENSION UNITS	SCALE	CURRENT REV DESC:			molex			
= 0	HYBRID	1:1	EC NO: 630843 DRWN: JSU18 2020/01/21 CHK'D: YCHENG 2020/01/22 APPR: YCHENG 2020/01/22			MMCX PLUG, STRAIGHT 50 OHMS, FOR RG178 CABLE MMCX-PC			
= 0	GENERAL TOLERANCES (UNLESS SPECIFIED)								
= 0	ANGULAR TOL	± 2.0°	INITIAL REVISION: DRWN: RFC_PLMIMP 2017/12/28 APPR: JWIENER 2007/01/09			DOCUMENT NUMBER	DOC TYPE	DOC PART	REVISION
= 0	4 PLACES	±				SD-73415-097	PSD	001	B6
= 0	3 PLACES	±	DRAFT WHERE APPLICABLE MUST REMAIN WITHIN DIMENSIONS			MATERIAL NUMBER	CUSTOMER	SHEET NUMBER	
= 0	2 PLACES	± 0.25				73415	TS-SCI	4 OF 4	
= 0	1 PLACE	±	THIRD ANGLE PROJECTION	DRAWING	SERIES				
= 0	0 PLACES	±		C-SIZE	73415				
= 0									

DOCUMENT STATUS	P1	RELEASE DATE	2020/01/22	01:34:23
-----------------	----	--------------	------------	----------