

10 9 8 7 6 5 4 3 2 1

F

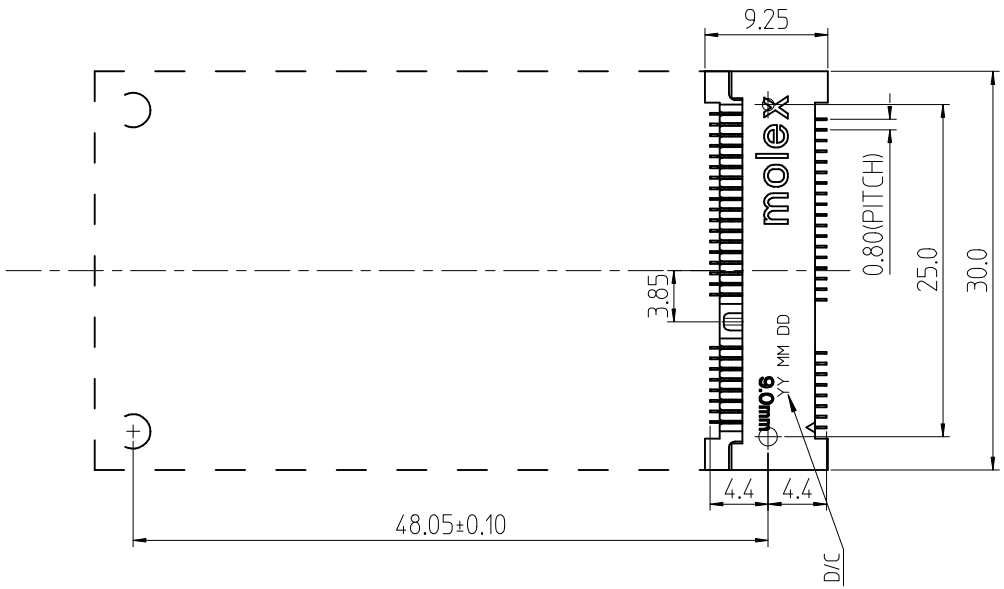
E

D

C

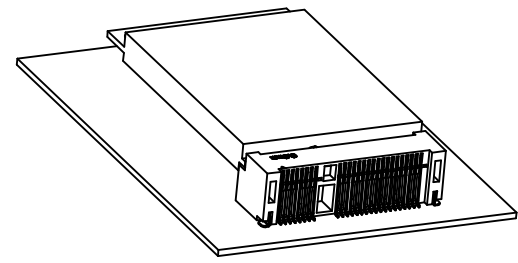
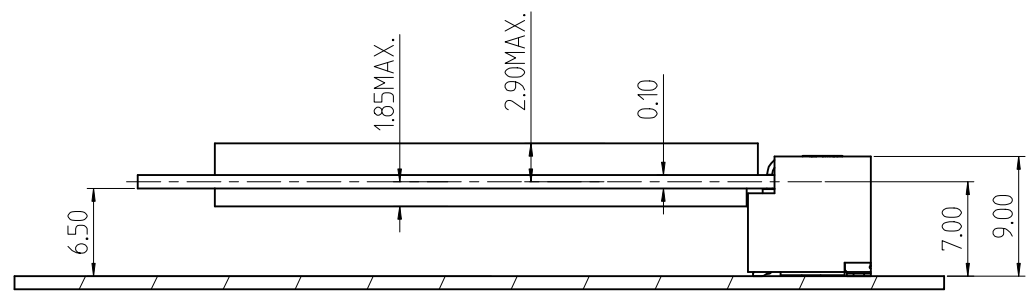
B

A



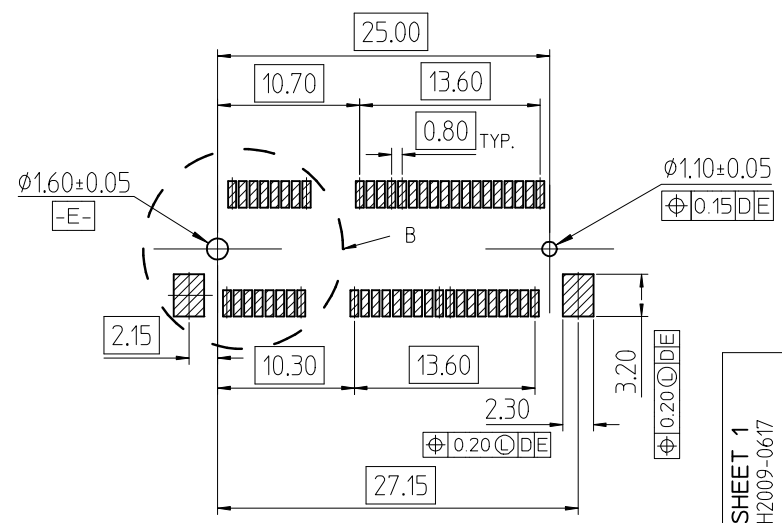
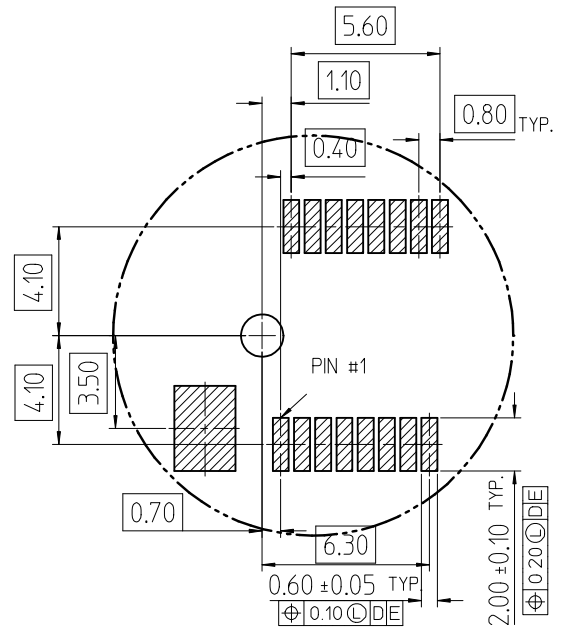
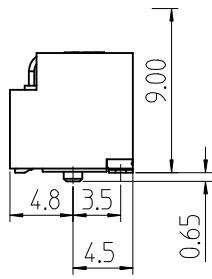
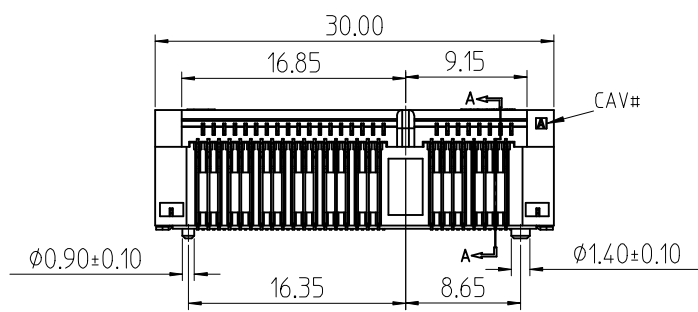
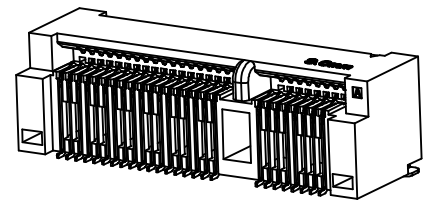
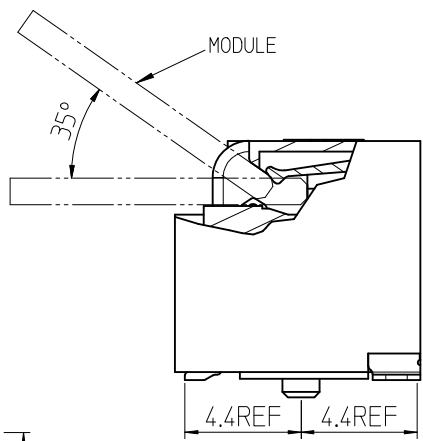
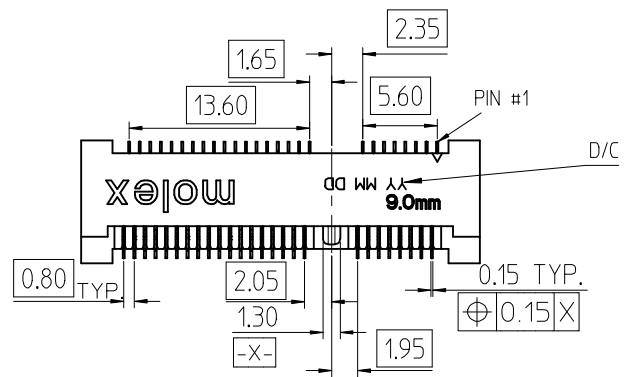
NOTES:

1. MATERIAL:
 - 1.1 HOUSING: THERMOPLASTIC, HIGH TEMP., UL94V-0; COLOR:NATURE(WHITE).
 - 1.2 CONTACT: COPPER ALLOY
 - 1.3 FITTING NAIL: COPPER ALLOY
2. FINISH:
 - 2.1 CONTACT:
 - GOLD PLATING 30 MICROINCH MINIMUM ON CONTACT AREA
 - GOLD FLASH OVERALL
 - NICKEL UNDERPLATING OVERALL.
 - 2.2 FITTING NAIL:
 - 100µ" MIN. TIN PLATING ON SOLDER TAILS.
 - NICKEL UNDERPLATING OVERALL.
- 3.PRODUCT SPECIFICATION REFER TO PS-48338-001
- 4.PACKAGING DRAWING REFER TO PK-48338-001
- 5.TEST SUMMARY REFER TO TS-48338-001
- 6.LEAD FREE AND ROHS COMPLIANT PRODUCT

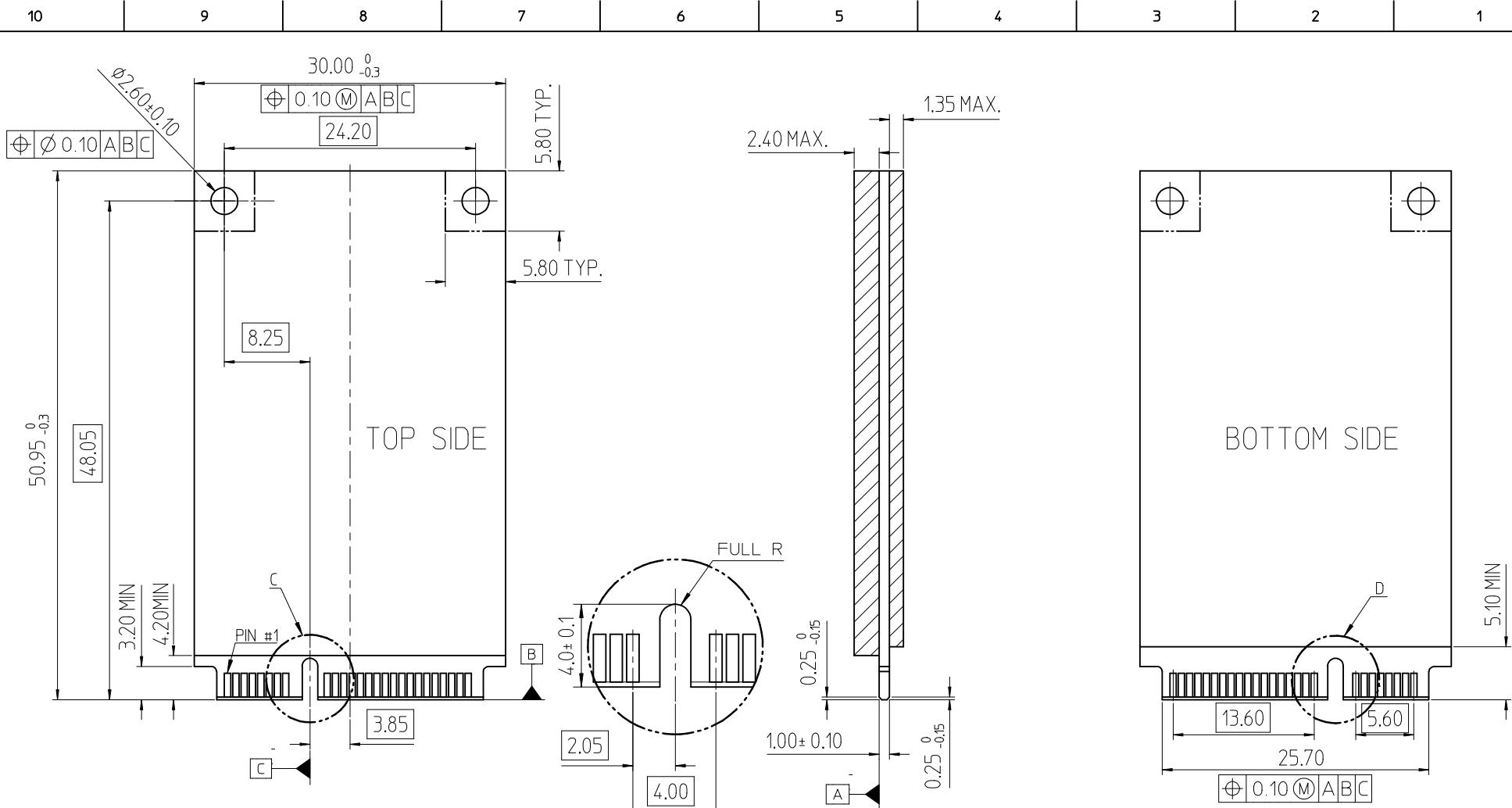


NEW PRODUCT EC NO: SH2009-0617 DRWR:ZHANG CHKD: APPR:HWANG 2009/04/03 2009/04/07 2009/04/13	QUALITY SYMBOLS ▽=0 ◻=0	GENERAL TOLERANCES (UNLESS SPECIFIED)		DIMENSION STYLE	SCALE	DESIGN UNITS	THIRD ANGLE PROJECTION	
				MM ONLY	1:1	METRIC		
				DRAWN BY	DATE	TITLE		
				E.K.	2008/10/21	MINI PCI EXP. 0.8 PITCH H=9.00MM		
A	DESCRIPTION REV	4 PLACES	± ---	± ---	CHECKED BY	DATE	MOLEX INCORPORATED DOCUMENT NO. SD-48338-001 SHEET NO. 1 OF 3	
		3 PLACES	± ---	± ---	DAVID ZHANG	2008/10/21		
		2 PLACES	± 0.25	± ---	APPROVED BY	DATE		
		1 PLACE	± 0.25	± ---	HWANG	2008/10/21		
		ANGULAR ± 3 °		MATERIAL NO.				
		DRAFT WHERE APPLICABLE MUST REMAIN WITHIN DIMENSIONS		483380001				
				SIZE	THIS DRAWING CONTAINS INFORMATION THAT IS PROPRIETARY TO MOLEX INCORPORATED AND SHOULD NOT BE USED WITHOUT WRITTEN PERMISSION			
				A3				

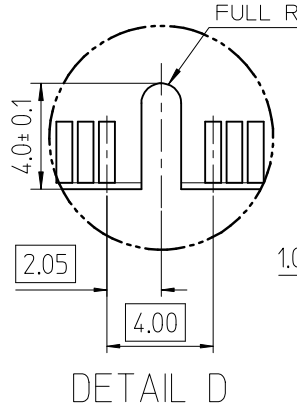
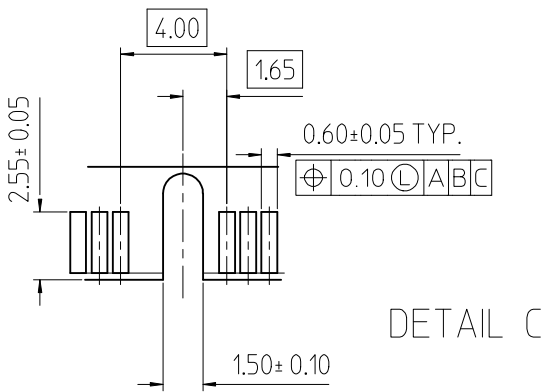
9 8 7 6 5 4 3 2 1



SEE SHEET 1 EC NO: SHZ009-0617 DRWR:ZHANG CHKD: APPR:HWANG 2009/04/03 2009/04/07 2009/04/13	QUALITY SYMBOLS	GENERAL TOLERANCES (UNLESS SPECIFIED)	DIMENSION STYLE	SCALE	DESIGN UNITS	THIRD ANGLE PROJECTION
	$\nabla=0$ $\triangle=0$	mm INCH 4 PLACES ± --- ± --- 3 PLACES ± --- ± --- 2 PLACES ± 0.25 ± --- 1 PLACE ± 0.25 ± --- ANGULAR ± 3 °	MM ONLY	1:1	METRIC	
	DESCRIPTION	DRAWN BY DATE	DATE	TITLE	MINI PCI EXP. 0.8 PITCH H=9.00MM	
	REV	E. K. 2008/10/21	2008/10/21	DAVID ZHANG 2008/10/21	MOLEX INCORPORATED SD-48338-001	
	DRAFT WHERE APPLICABLE MUST REMAIN WITHIN DIMENSIONS	APPROVED BY DATE	DATE	DOCUMENT NO.	SHEET NO.	
		HWANG 2008/10/21	2008/10/21	SEE SHEET 1	2 OF 3	
		MATERIAL NO.		THIS DRAWING CONTAINS INFORMATION THAT IS PROPRIETARY TO MOLEX INCORPORATED AND SHOULD NOT BE USED WITHOUT WRITTEN PERMISSION		



NOTES:
 1. PIN NUMBERING REFERENCE:
 ODD PINS: TOP SIDE
 EVEN PINS: BOTTOM SIDE



SEE SHEET 1 EC NO: SH2009-0617 DRW: RZHANG CHKD: APPR: HWANG 2009/04/03 2009/04/07 2009/04/13	QUALITY SYMBOLS $\nabla = 0$ $\sphericalcap = 0$	GENERAL TOLERANCES (UNLESS SPECIFIED) mm INCH 4 PLACES ± --- ± --- 3 PLACES ± --- ± --- 2 PLACES ± 0.25 ± --- 1 PLACE ± 0.25 ± --- ANGULAR ± 3 °	DIMENSION STYLE MM ONLY DRAWN BY DATE E. K. 2008/10/21 CHECKED BY DATE DAVID ZHANG 2008/10/21 APPROVED BY DATE HWANG 2008/10/21 MATERIAL NO.	SCALE 1:1 DESIGN UNITS METRIC THIRD ANGLE PROJECTION	TITLE MINI PCI EXP. 0.8 PITCH H=9.00mm MOLEX INCORPORATED DOCUMENT NO. SD-48338-001 SHEET NO. 3 OF 3
	DRAFT WHERE APPLICABLE MUST REMAIN WITHIN DIMENSIONS	SEE SHEET 1	THIS DRAWING CONTAINS INFORMATION THAT IS PROPRIETARY TO MOLEX INCORPORATED AND SHOULD NOT BE USED WITHOUT WRITTEN PERMISSION		
	SIZE A3	SEE SHEET 1	THIS DRAWING CONTAINS INFORMATION THAT IS PROPRIETARY TO MOLEX INCORPORATED AND SHOULD NOT BE USED WITHOUT WRITTEN PERMISSION		
	SEE SHEET 1	SEE SHEET 1	THIS DRAWING CONTAINS INFORMATION THAT IS PROPRIETARY TO MOLEX INCORPORATED AND SHOULD NOT BE USED WITHOUT WRITTEN PERMISSION		

10 9 8 7 6 5 4 3 2 1

F

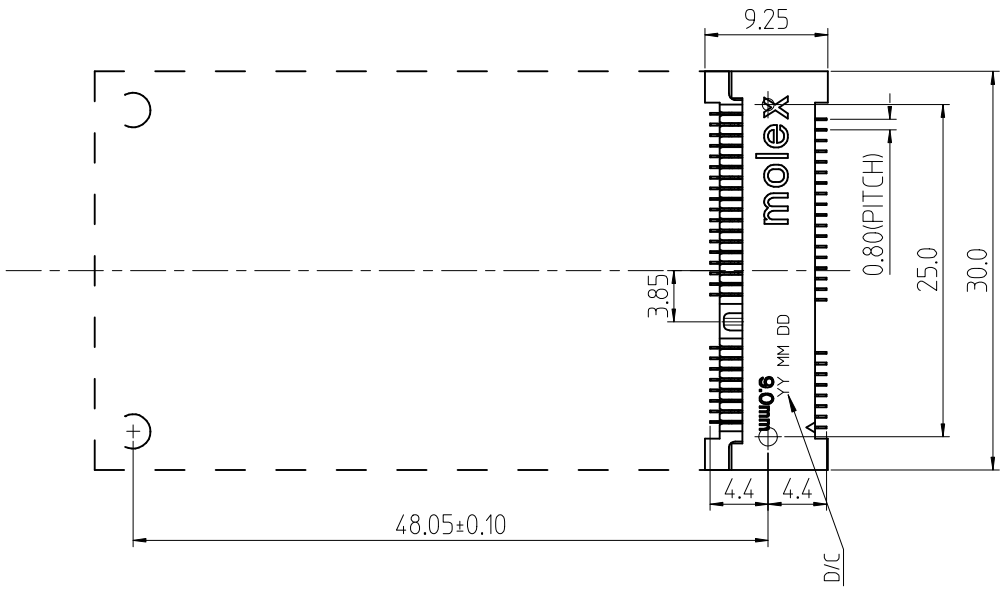
E

D

C

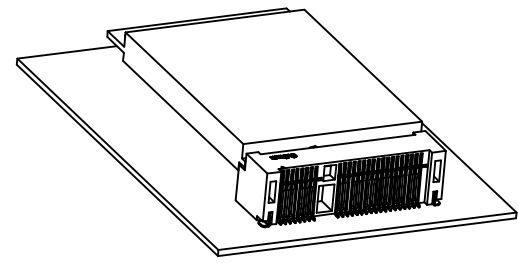
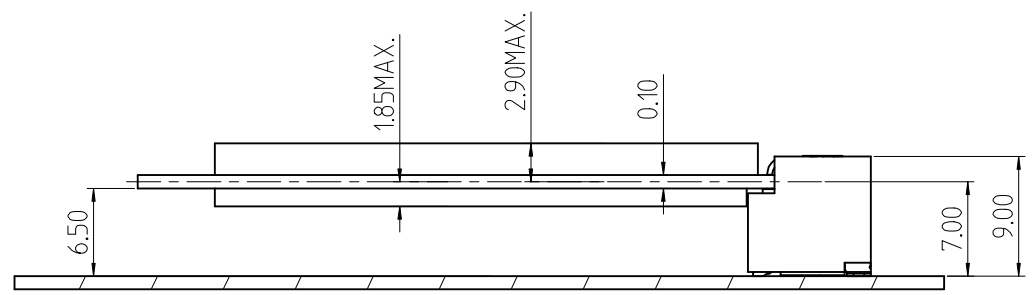
B

A



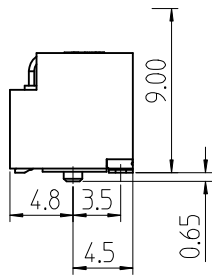
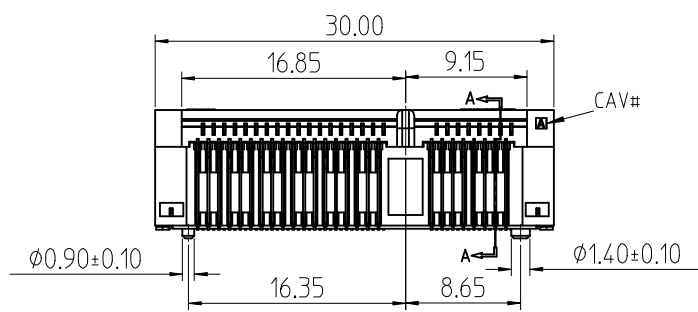
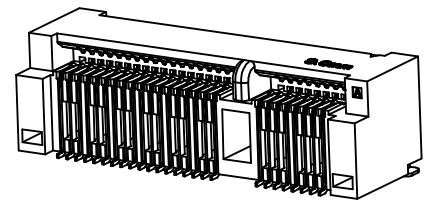
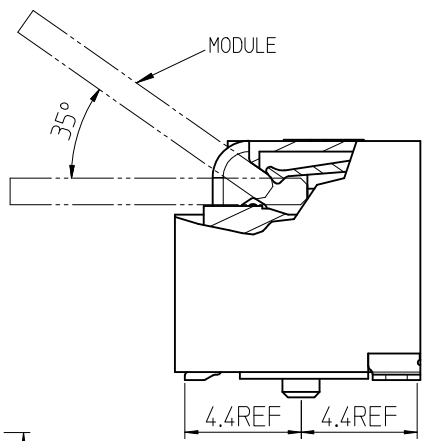
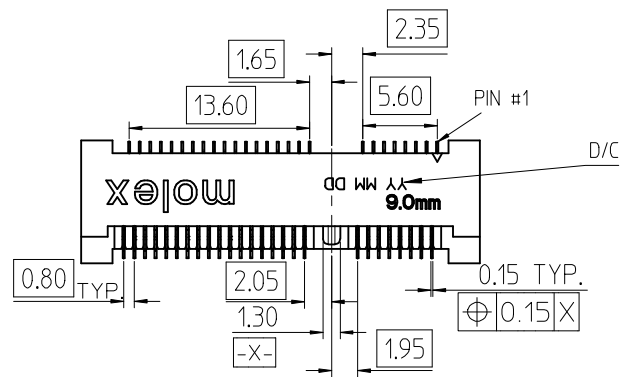
NOTES:

1. MATERIAL:
 - 1.1 HOUSING: THERMOPLASTIC, HIGH TEMP., UL94V-0; COLOR:NATURE(WHITE).
 - 1.2 CONTACT: COPPER ALLOY
 - 1.3 FITTING NAIL: COPPER ALLOY
2. FINISH:
 - 2.1 CONTACT:
 - GOLD PLATING 30 MICROINCH MINIMUM ON CONTACT AREA
 - GOLD FLASH OVERALL
 - NICKEL UNDERPLATING OVERALL.
 - 2.2 FITTING NAIL:
 - 100µ" MIN. TIN PLATING ON SOLDER TAILS.
 - NICKEL UNDERPLATING OVERALL.
- 3.PRODUCT SPECIFICATION REFER TO PS-48338-001
- 4.PACKAGING DRAWING REFER TO PK-48338-001
- 5.TEST SUMMARY REFER TO TS-48338-001
- 6.LEAD FREE AND ROHS COMPLIANT PRODUCT

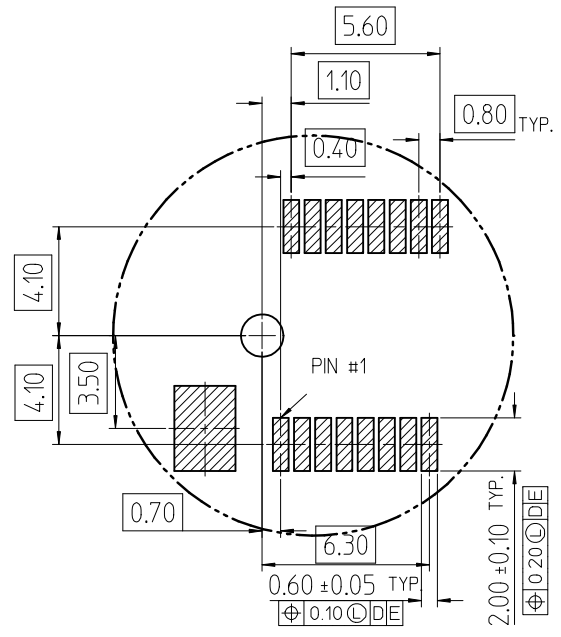


NEW PRODUCT EC NO: SH2009-0617 DRWR:ZHANG CHKD: APPR:HWANG 2009/04/03 2009/04/07 2009/04/13	QUALITY SYMBOLS ▽=0 ◻=0	GENERAL TOLERANCES (UNLESS SPECIFIED)		DIMENSION STYLE	SCALE	DESIGN UNITS	THIRD ANGLE PROJECTION		
				MM ONLY	1:1	METRIC			
				DRAWN BY	DATE	TITLE			
				E.K.	2008/10/21	MINI PCI EXP. 0.8 PITCH H=9.00MM			
		4 PLACES ± --- ± ---		CHECKED BY	DATE	MOLEX MOLEX INCORPORATED			
		3 PLACES ± --- ± ---		DAVID ZHANG	2008/10/21				
		2 PLACES ± 0.25 ± ---		APPROVED BY	DATE	DOCUMENT NO. SHEET NO.			
		1 PLACE ± 0.25 ± ---		HWANG	2008/10/21				
		ANGULAR ± 3 °		MATERIAL NO.		SD-48338-001			
		DRAFT WHERE APPLICABLE MUST REMAIN WITHIN DIMENSIONS		483380001		1 OF 3			
				THIS DRAWING CONTAINS INFORMATION THAT IS PROPRIETARY TO MOLEX INCORPORATED AND SHOULD NOT BE USED WITHOUT WRITTEN PERMISSION					

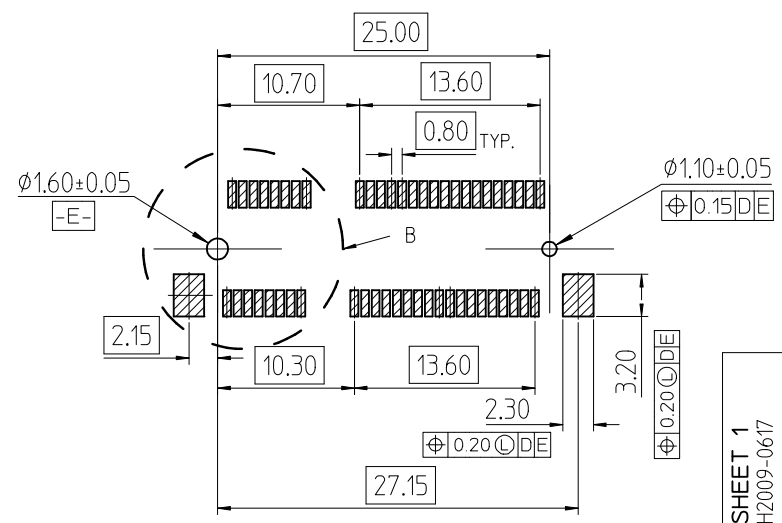
9 8 7 6 5 4 3 2 1



SECTION A-A

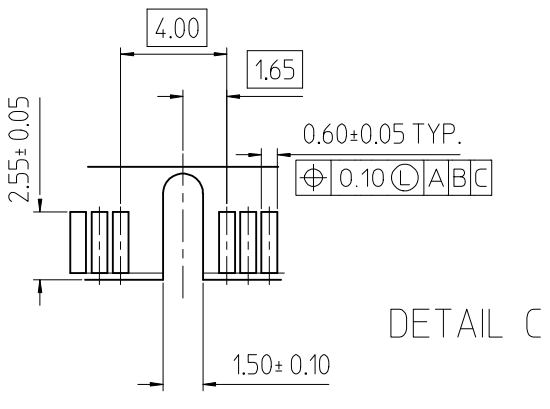
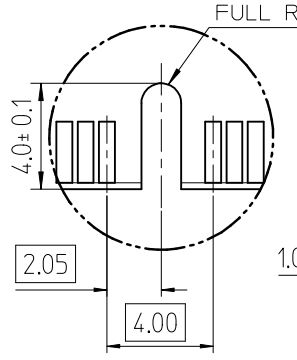
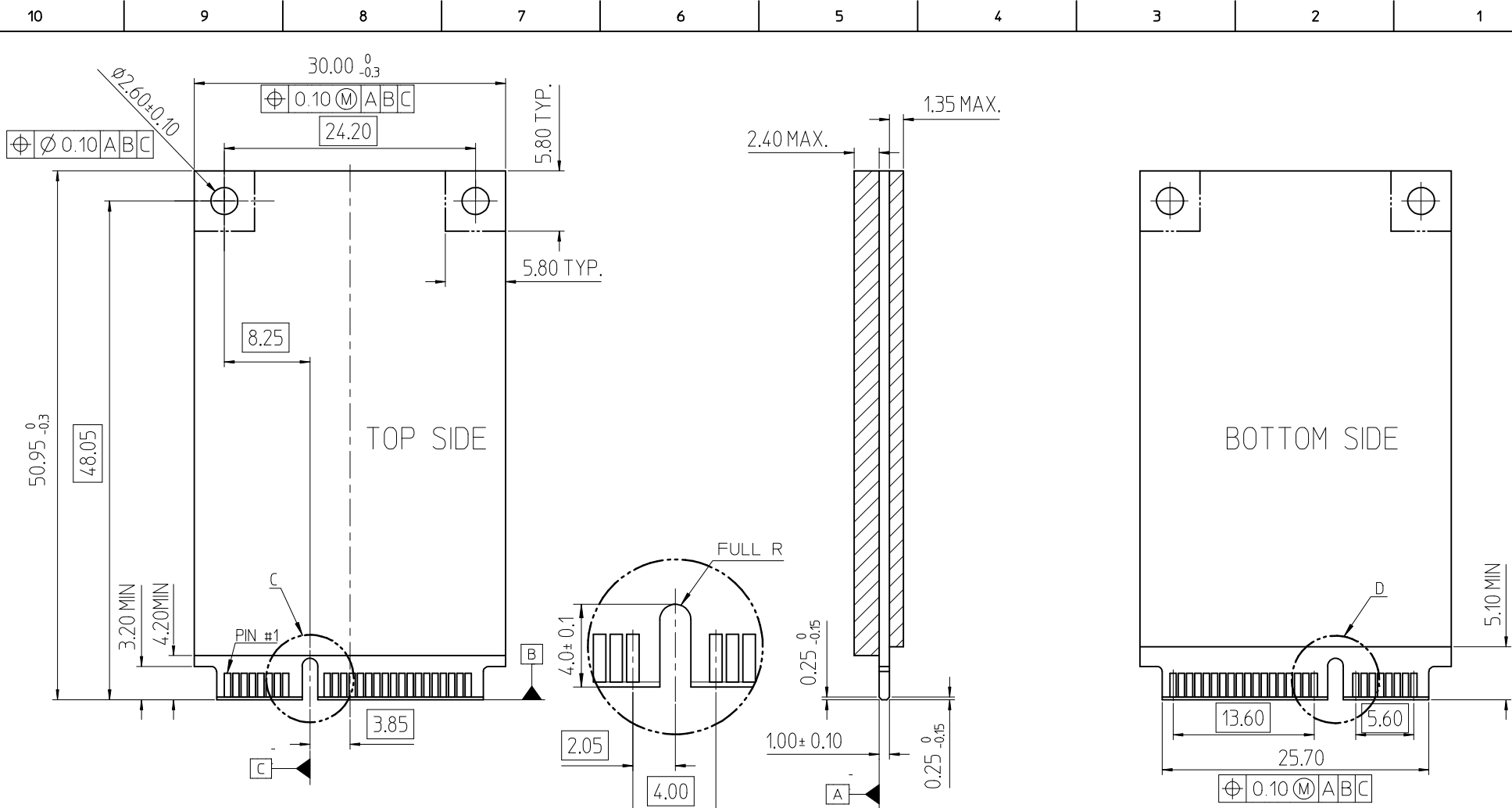


DETAIL B



CONNECTOR LAYOUT

SEE SHEET 1 EC NO: SHZ009-0617 DRWR:ZHANG CHKD: APPR:HWANG 2009/04/03 2009/04/07 2009/04/13	QUALITY SYMBOLS ▽=0 ◻=0	GENERAL TOLERANCES (UNLESS SPECIFIED)		DIMENSION STYLE MM ONLY		SCALE 1:1	DESIGN UNITS METRIC	THIRD ANGLE PROJECTION			
		4 PLACES ± --- ± ---	3 PLACES ± --- ± ---	2 PLACES ± 0.25 ± ---	1 PLACE ± 0.25 ± ---	ANGULAR ± 3 °	DRAWN BY E. K.	DATE 2008/10/21	TITLE MINI PCI EXP. 0.8 PITCH H=9.00MM		
		DRAFT WHERE APPLICABLE MUST REMAIN WITHIN DIMENSIONS					CHECKED BY DAVID ZHANG	DATE 2008/10/21	MOLEX INCORPORATED		
		SEE SHEET 1					APPROVED BY HWANG	DATE 2008/10/21	MATERIAL NO. SD-48338-001	DOCUMENT NO.	SHEET NO. 2 OF 3



NOTES:
 1. PIN NUMBERING REFERENCE:
 ODD PINS: TOP SIDE
 EVEN PINS: BOTTOM SIDE

SEE SHEET 1 EC NO: SH2009-0617 DRWR:RZHANG CHKD: APPR:HWANG	2009/04/03 2009/04/07 2009/04/13	DESCRIPTION	QUALITY SYMBOLS	GENERAL TOLERANCES (UNLESS SPECIFIED)	DIMENSION STYLE	SCALE	DESIGN UNITS	THIRD ANGLE PROJECTION
			▽=0 ∇=0	mm INCH	MM ONLY	1:1	METRIC	⊕ □
				4 PLACES ± --- ± --- 3 PLACES ± --- ± --- 2 PLACES ± 0.25 ± --- 1 PLACE ± 0.25 ± ---	DRAWN BY DATE E. K. 2008/10/21	TITLE MINI PCI EXP. 0.8 PITCH H=9.00mm		
			ANGULAR ± 3 °	CHECKED BY DATE DAVID ZHANG 2008/10/21	APPROVED BY DATE HWANG 2008/10/21	molex MOLEX INCORPORATED		
A	REV	DRAFT WHERE APPLICABLE MUST REMAIN WITHIN DIMENSIONS	SIZE A3	MATERIAL NO. SEE SHEET 1	DOCUMENT NO. SD-48338-001	SHEET NO. 3 OF 3		