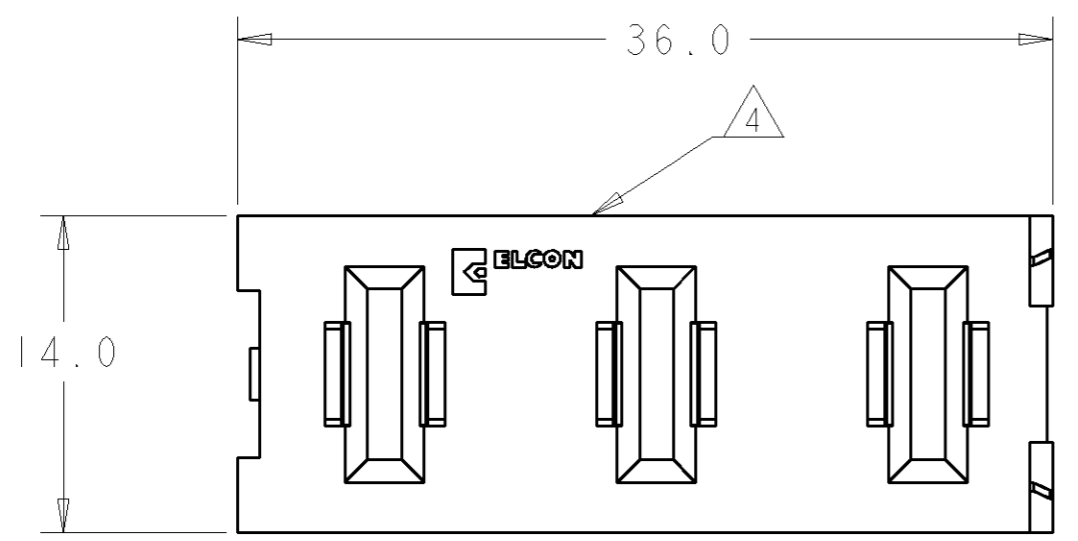


THIS DRAWING IS UNPUBLISHED. RELEASED FOR PUBLICATION 20
 © COPYRIGHT 20 BY TYCO ELECTRONICS CORPORATION. ALL RIGHTS RESERVED.

LOC	DIST	REVISIONS					
GP	00	P	LTR	DESCRIPTION	DATE	DWN	APVD
			A	NEW RELEASE	07AUG2007	RG	PD



1. PART NUMBER CHANGES AND OR DESIGN CHANGES AFFECTING ITEM INTERCHANGEABILITY REQUIRE PRIOR TYCO ELECTRONICS APPROVAL AND AUTHORIZATION BY REVISION TO THIS DRAWING.

2 MATERIAL:
 INSULATORS - THERMOPLASTIC, GLASS REINFORCED, COLOR: BLACK
 UL94V-0 FLAMMABILITY RATED.
 POWER CONTACTS - PHOSPHOR BRONZE,
 COPPER ALLOY
 CROWN BAND - BERYLLIUM COPPER ALLOY
 GUIDE PIN-BRASS ALLOY

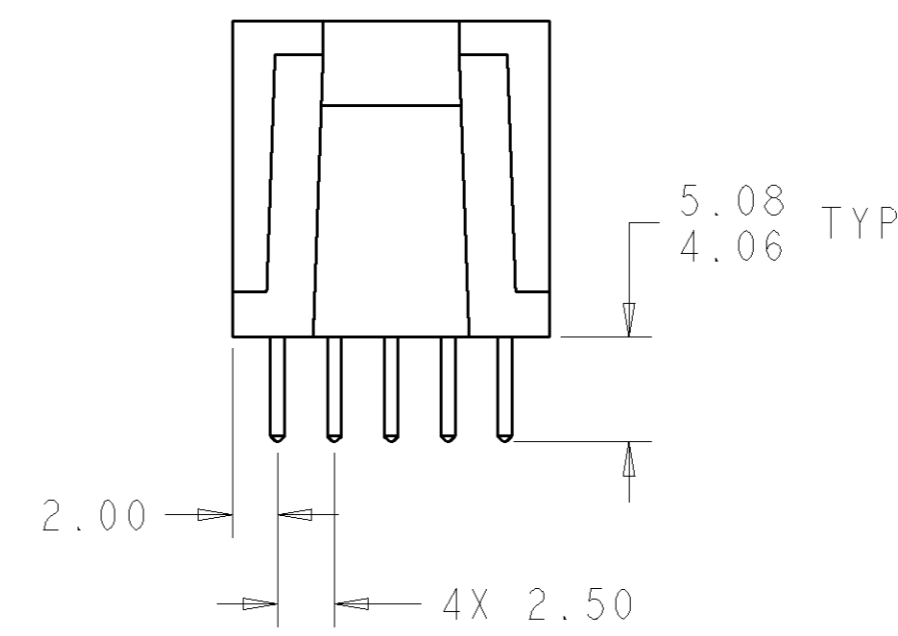
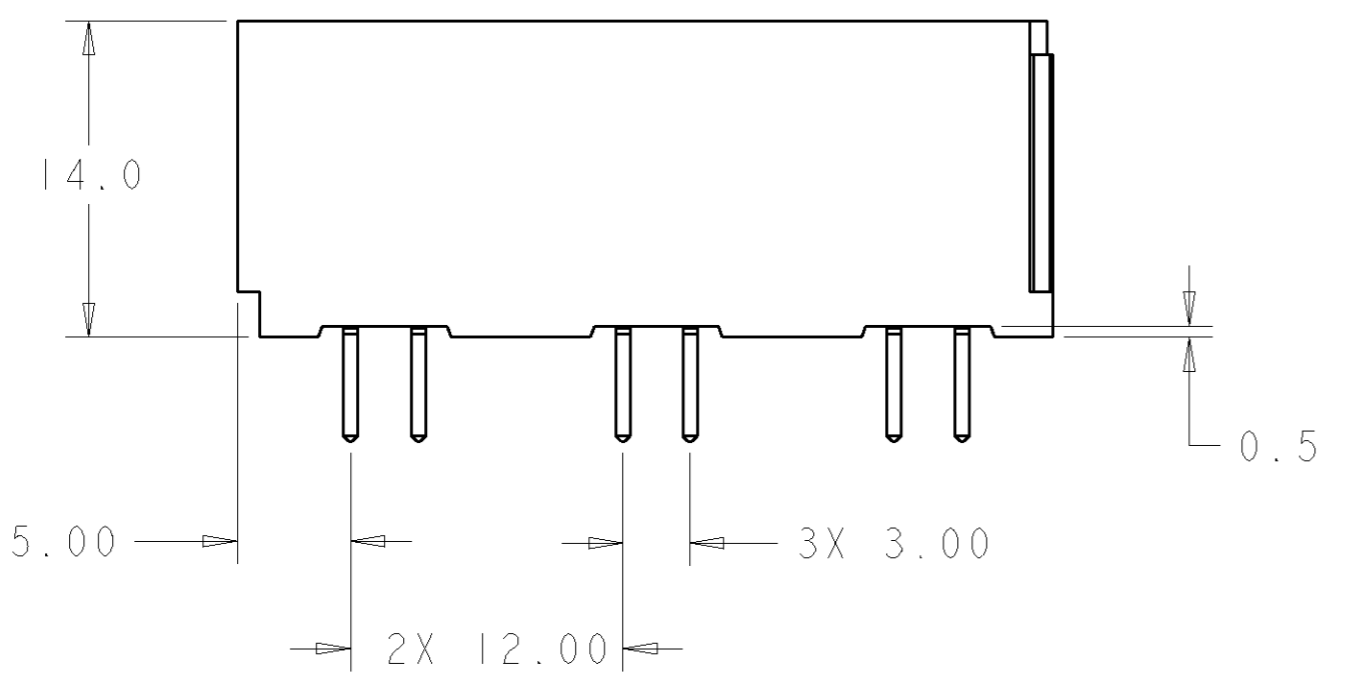
3 FINISH:
 CONTACTS - GOLD PLATE 0.76µm MIN. THK., OVER
 NICKEL 1.27µm MIN. THK
 SOLDER TAILS, TIN 3.05µm MIN. THK.
 OVER NICKEL 1.27µm MIN. THK

4 ITEMS PROVIDED TO THIS SPECIFICATION TO BE PERMANENTLY IDENTIFIED PER THE FOLLOWING IDENTIFIER LABEL

TYCO ELECTRONICS P/N
 XXXXXXXX-X

DATE CODE (e.g. 0106)
 XXXX

YEAR WEEK

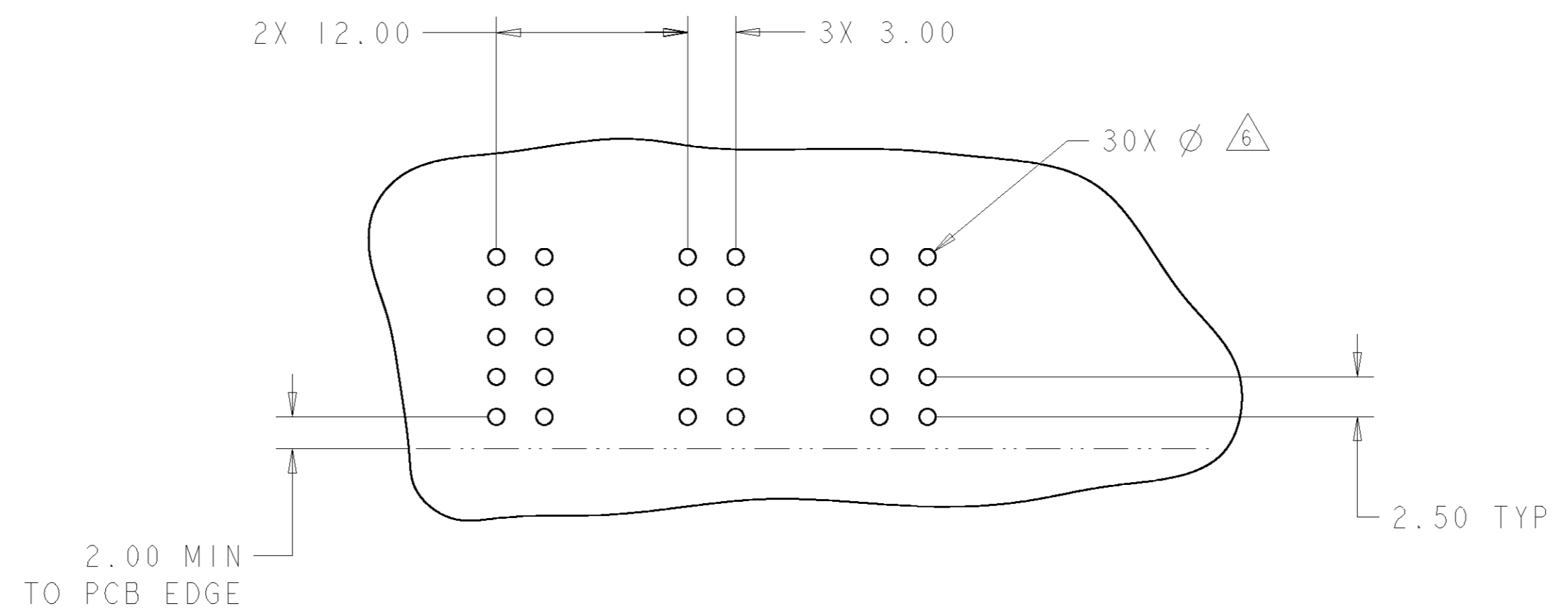


ELCON **FLATPAQ**

THIS DRAWING IS A CONTROLLED DOCUMENT FOR TYCO ELECTRONICS CORPORATION. IT IS SUBJECT TO CHANGE AND THE CONTROLLING ENGINEERING ORGANIZATION SHOULD BE CONTACTED FOR THE LATEST REVISION.		DWN R. GRZYBOWSKI 07AUG2007	AS SHOWN		6646440-1
DIMENSIONS: mm		CHK P. DAMATO 07AUG2007	DESCRIPTION		PART NUMBER
TOLERANCES UNLESS OTHERWISE SPECIFIED: 0 PLC ±.5 1 PLC ±.5 2 PLC ±.25 3 PLC ±0 4 PLC ±0 ANGLES ±3 FINISH		APVD S. FLICKINGER 07AUG2007	Tyco Electronics Harrisburg, PA 17105-3608		
MATERIAL		PRODUCT SPEC -	NAME		SOCKET CONNECTOR, STRAIGHT COMPLIANT TAIL FLATPAQ
2 -		APPLICATION SPEC -	SIZE	CAGE CODE	DRAWING NO
3 -		WEIGHT -	A2	00779	6646440
CUSTOMER DRAWING		RESTRICTED TO -	SCALE	SHEET	OF
			3:1	1	3
				REV	A

THIS DRAWING IS UNPUBLISHED. RELEASED FOR PUBLICATION 20
 © COPYRIGHT 20 BY TYCO ELECTRONICS CORPORATION. ALL RIGHTS RESERVED.

LOC	DIST	REVISIONS					
		P	LTR	DESCRIPTION	DATE	DWN	APVD
GP	00	-		SEE SHEET 1	-	-	-



PRINTED CIRCUIT LAYOUT
 COMPONENT SIDE

CONNECTOR	CATALOG MODULE #	QTY	SIZE NO.	CONTACT QTY	MATING PIN	MAX. CURRENT (PER CONTACT)	CONTACT SPACING	VOLTAGE RATING
SOCKET	FPI16	3	8	3	1.25 X 7.00 [.049 X .276]	35 amps	7.50 [.2953]	250 VOLTS

THIS DRAWING IS A CONTROLLED DOCUMENT FOR TYCO ELECTRONICS CORPORATION. IT IS SUBJECT TO CHANGE AND THE CONTROLLING ENGINEERING ORGANIZATION SHOULD BE CONTACTED FOR THE LATEST REVISION.

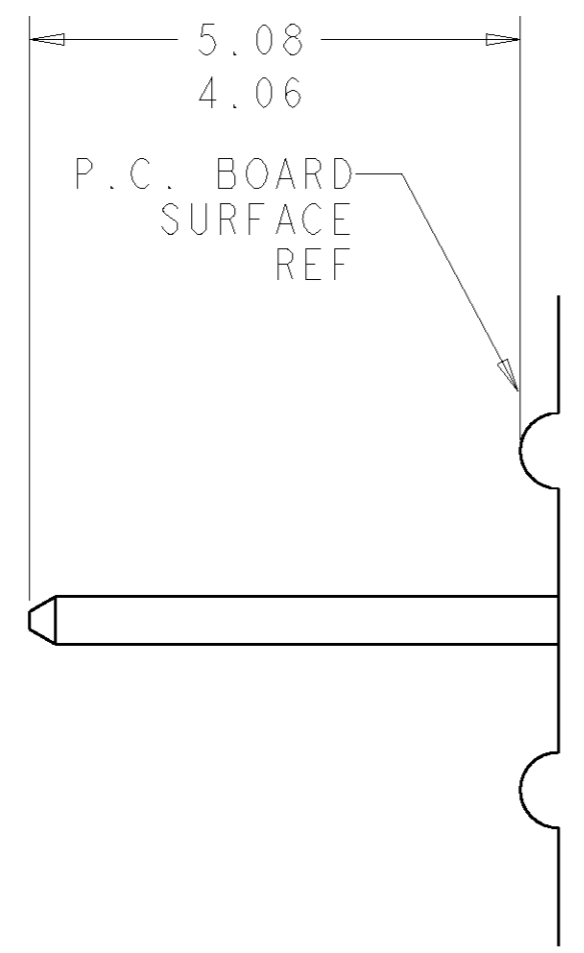
DWN	R. GRZYBOWSKI	07AUG2007	Tyco Electronics Harrisburg, PA 17105-3608			
CHK	P. DAMATO	07AUG2007				
APVD	S. FLICKINGER	07AUG2007				
NAME	SOCKET CONNECTOR, STRAIGHT COMPLIANT TAIL FLATPAQ					
DIMENSIONS:	mm	TOLERANCES UNLESS OTHERWISE SPECIFIED:	SIZE	CAGE CODE	DRAWING NO.	RESTRICTED TO
		0 PLC ±.5	A2	00779	C-6646440	-
		1 PLC ±.5	SCALE	3:1	SHEET	2 OF 3
		2 PLC ±.25				REV
		3 PLC ±0				A
		4 PLC ±0				
		ANGLES ±3				
MATERIAL		FINISH				

CUSTOMER DRAWING

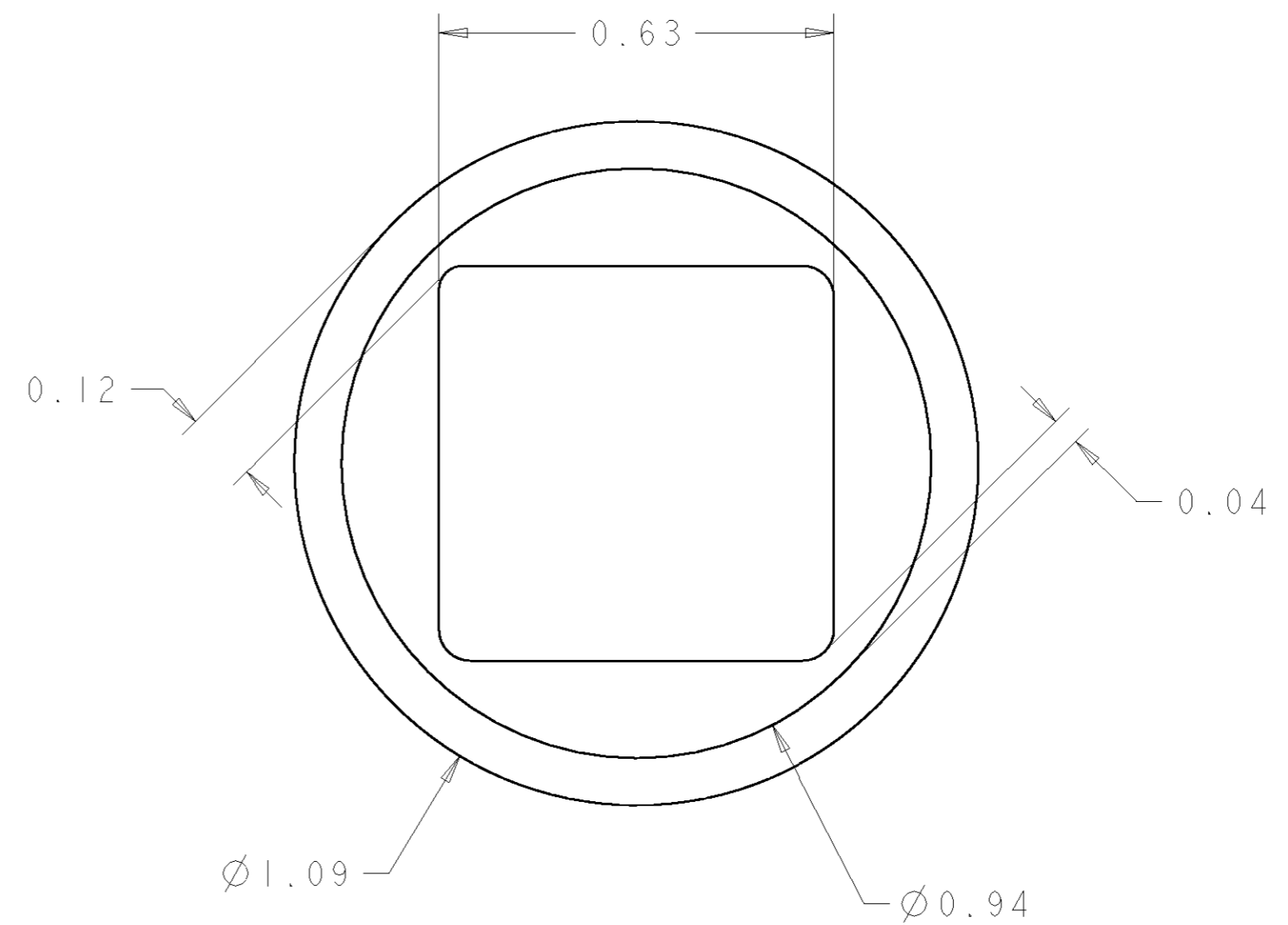
ELCON FLATPAQ

THIS DRAWING IS UNPUBLISHED. RELEASED FOR PUBLICATION 20
 © COPYRIGHT 20 BY TYCO ELECTRONICS CORPORATION. ALL RIGHTS RESERVED.

LOC	DIST	REVISIONS			
P	LTR	DESCRIPTION	DATE	DWN	APVD
GP	00	-	SEE SHEET 1	-	-



5. SOLDER PIN DETAIL
SCALE 10 : 1



6. SOLDER TERMINATION AREA
SCALE 40:1
 RECOMMENDED PRINTED CIRCUIT SOLDER HOLE
 FINISHED HOLE: Ø1.02 [.040] ±.08 [.003]
 DRILLED HOLE: Ø1.15 [.0453] ±.013 [.0005]
 COPPER PLATE: .025 [.0010] MIN
 TIN PLATE: .008 [.0003] MIN. (PER SURFACE)

ELCON **FLATPAQ**

THIS DRAWING IS A CONTROLLED DOCUMENT FOR TYCO ELECTRONICS CORPORATION IT IS SUBJECT TO CHANGE AND THE CONTROLLING ENGINEERING ORGANIZATION SHOULD BE CONTACTED FOR THE LATEST REVISION.		DWN R. GRZYBOWSKI 07AUG2007	Tyco Electronics Harrisburg, PA 17105-3608	
DIMENSIONS: mm		CHK P. DAMATO 07AUG2007	NAME SOCKET CONNECTOR, STRAIGHT COMPLIANT TAIL FLATPAQ	
TOLERANCES UNLESS OTHERWISE SPECIFIED: 0 PLC ±.5 1 PLC ±.5 2 PLC ±.25 3 PLC ±0 4 PLC ±0 ANGLES ±3 FINISH		APVD S. FLICKINGER 07AUG2007	SIZE A200779	DRAWING NO G-6646440
MATERIAL		PRODUCT SPEC -	CAGE CODE -	RESTRICTED TO -
		APPLICATION SPEC -	SCALE 3:1	SHEET 3 OF 3
		WEIGHT -	REV A	
		CUSTOMER DRAWING		