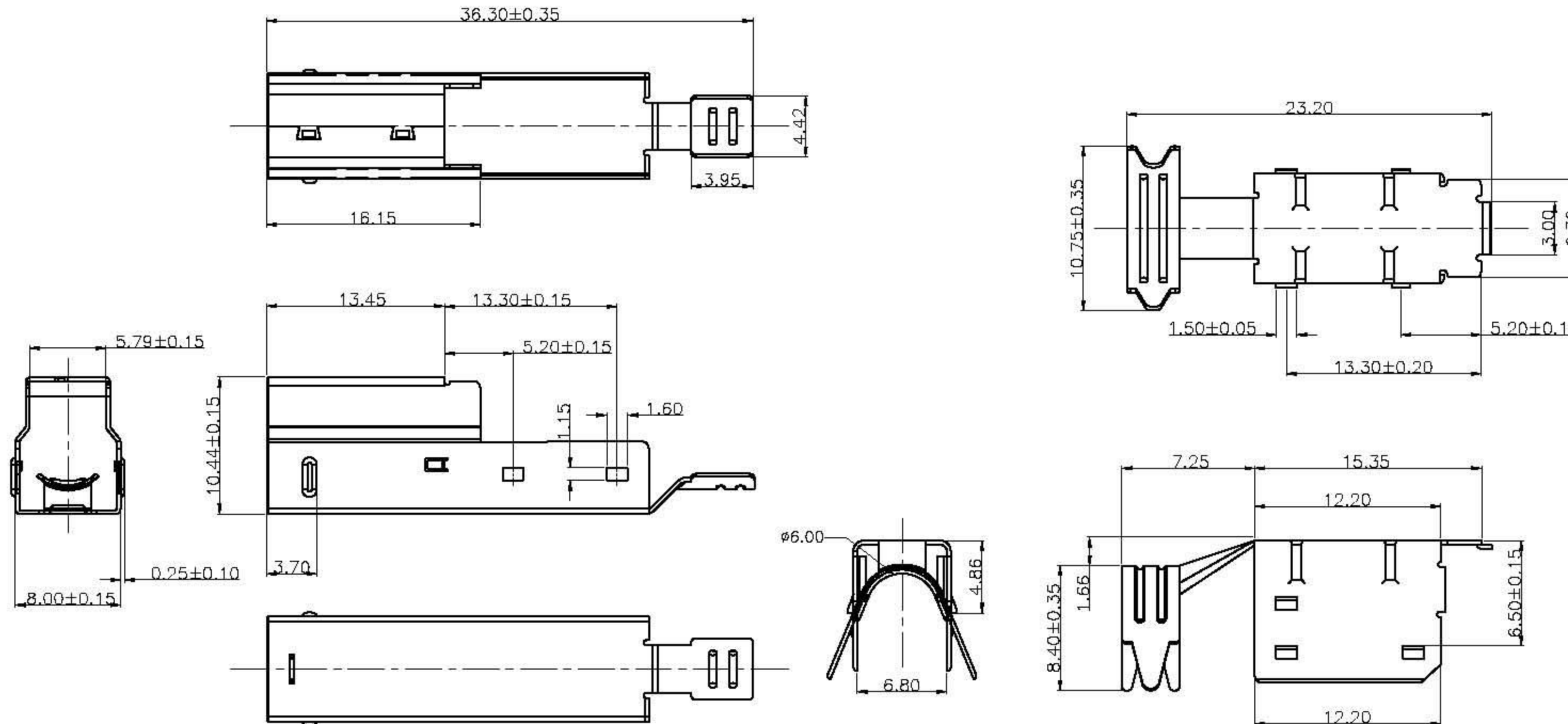
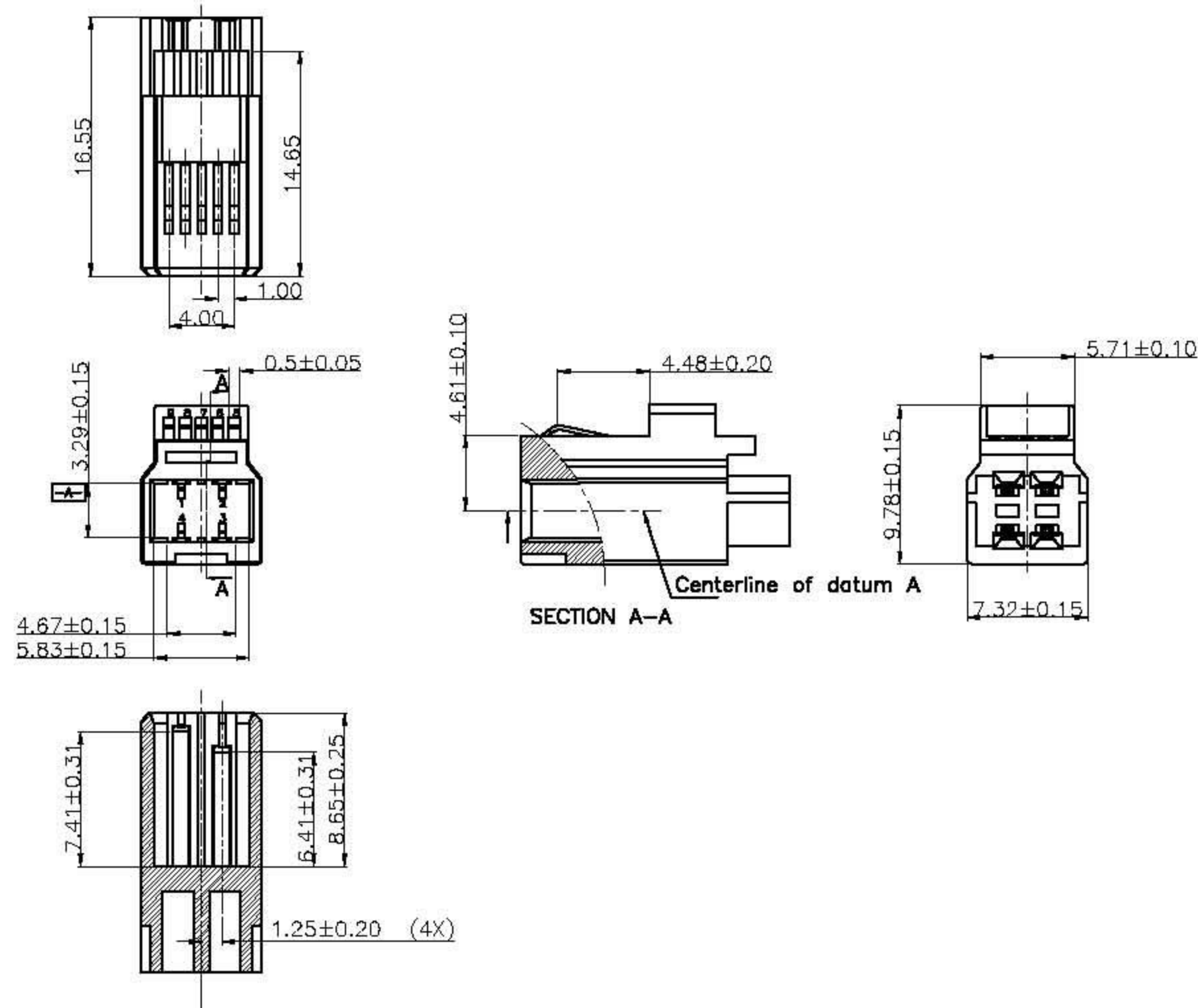


REV	ECN.NO:	B Y	DATE
A0	NEW DWG	ING	10/10/15



NOTE
MATERIAL
NOTE:
HOUSING:PBT,UL94V-0.
SHELL:SPCC,T=0.30mm
CONTACT:C2680 T=0.20mm 4PCS
C5210 T=0.25mm 5PCS
CONTACT PLATE WITH GOLD PLATE 15U"
SHELL:NICKEL OVER ALL PLATING
DIELECTRIC WITHSTANDING VOLTAGE:100V AC(RMS)
CONTACT RESISTANCE:
30MΩ MAX For Pin1&Pin4;
50MΩ MAX For Other contacts.
INSULATION RESISTANCE:100MΩ MIN
TEMPERATURE RANGE: -20°C~+85°C.
MECHANICAL CHARACTERISTICS:
INSERTION FORCE: 35 NEWTONS MAXIMUM
EXTRACTION FORCE: 10 NEWTONS MINIMUM



-TOLERANCES- UNLESS OTHERWISE SPECIFIED		CnC Tech . LLC							
				TITLE: USB 3.0 B/M ASSY TYPE 15U"					
X.X	±0.25	X.X"	±3.00"	APPD:	PRODUCT NO: 1003-025-02300				
X.XX	±0.20	X.XX"	±1.00"	CHECK:	DATE	SCALE	UNIT	TYPE	PAGE
X.XXX	±0.15	X.XXX"	±0.05"	DRAW:	2010.10.15	FREE	MM	Z	1