

GlobTek, Inc. www.globtek.com 186 Veterans Drive, Northvale, NJ 07647 Tel. (201) 784-1000 Fax (201) 784-0111	Drawing Title: Power Din Inline Jack, 4P, Snap and Lock, Black, supplied in kit, ready to assemble	
	Model No. <a href="#">High Power DC Connectors</a>	Part No./Ordering No. <a href="#">GTPWRDIN4LBFEM</a>
		Rev A

In Addition to GlobTek Inc.'s renewed ISO9001:2008 - Quality Management System Certification, GlobTek Inc. is now certified to:

ISO13485:2003 - Medical Devices Quality Management System Certification  
ISO14001:2004 - Environmental Management System Certification

ISO Certificates are available online at <http://www.globtek.com/iso-certificates/>

The acceptance of this specification and use of the product described in this document indicates the acceptance and binding of the customer to Globtek TERMS AND CONDITIONS (attached to the end of this document), which supersede all other agreements, terms, and conditions (<http://en.globtek.com/terms-and-conditions/>).

Prop 65 Statement:<https://en.globtek.com/prop-65-statement.pdf>

Footnote:

GlobTek Inc. will not be liable for the safety and performance of these power supplies if unauthorized access and repair occurs. End user should consult applicable UL, CSA or EN standards for proper installation instruction.

Limitation of Use:

GlobTek products are intended for use with commercial, medical, and/or industrial equipment only. GlobTek product are not authorized for use as mission critical components in life support hazardous environment, nuclear or aircraft applications without prior written approval from the CEO of GlobTek Inc.

Contents of this document are subject to change without prior notice.

**Customer Approval of Specification:**

Please approve, sign and send back to GlobTek so we can complete order processing.

A delay in receipt of this form will delay delivery schedule.

Company Name: _____	Customer P/N: _____
Quote Number: _____	Date: _____
Authorized Representative Name: _____	Authorized Representative Signature: _____

GlobTek, Inc. www.globtek.com 186 Veterans Drive, Northvale, NJ 07647 Tel. (201) 784-1000 Fax (201) 784-0111	Drawing Title: Power Din Inline Jack, 4P, Snap and Lock, Black, supplied in kit, ready to assemble	
	Model No. <a href="#">High Power DC Connectors</a>	Part No./Ordering No. <a href="#">GTPWRDIN4LBFEM</a>
		Rev A

## REVISION HISTORY

REV	DESCRIPTION	SUB	DATE	APPROVED
A	Initial release	DR	08/21/2020	DAVID

### AGENCY ONLINE DOCUMENTS

RoHS/RoHS3 Declaration [https://www.globtek.com/pdf/rohs\\_cert/01t3a000004vne3AAA](https://www.globtek.com/pdf/rohs_cert/01t3a000004vne3AAA)

REACH Declaration [https://www.globtek.com/pdf/iso\\_certificates/REACH.pdf](https://www.globtek.com/pdf/iso_certificates/REACH.pdf)

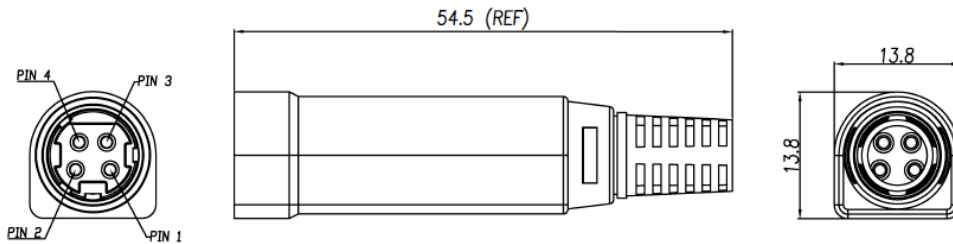
Conflict Minerals Declaration <https://www.globtek.com/pdf/conflict-minerals.pdf>

Prop 65 Statement <https://en.globtek.com/prop-65-statement.pdf>

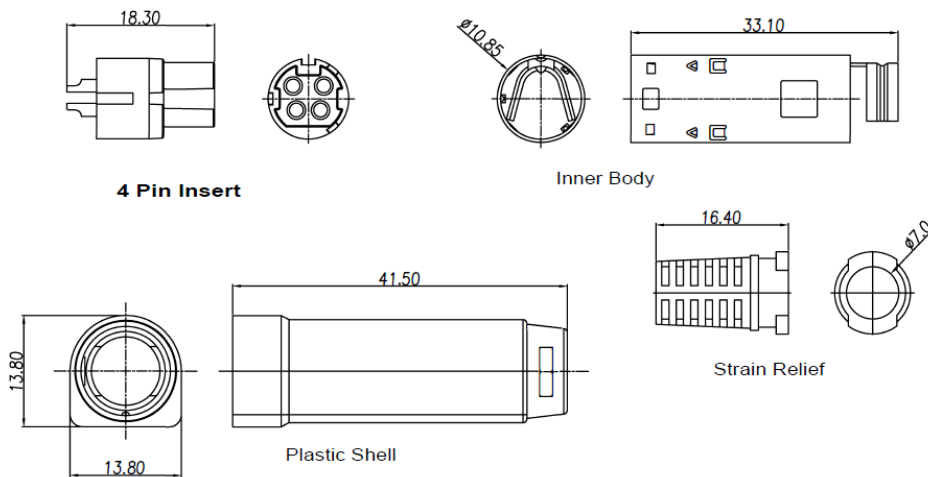
IPXY rating is based on 3rd party testing and customers should check suitability and test system level IPXY rating before ordering.

This inline female mating jack for 4 PIN Power Din plugs comes disassembled in 4 parts

Assembled View:



Parts View:



Electrical Specification:

Pin 1, 2, 3, 4 : 7.5Amax/54VDC

GlobTek, Inc. www.globtek.com 186 Veterans Drive, Northvale, NJ 07647 Tel. (201) 784-1000 Fax (201) 784-0111	Drawing Title: Power Din Inline Jack, 4P, Snap and Lock, Black, supplied in kit, ready to assemble	
	Model No. <a href="#">High Power DC Connectors</a>	Part No./Ordering No. <a href="#">GTPWRDIN4LBFEM</a>
		Rev A

<b>Current /Voltage</b>	contacts designed for AWG18 max wire
<b>Insulation resistance</b>	≥50M OHM 250VDC
<b>Contact resistance</b>	≤30 m OHM
<b>Withstand voltage (pin to pin)</b>	250VAC / 1min
<b>Lifetime</b>	≥5000
<b>Operation Temperature</b>	-20°C- 50°C
Mechanical Specification: Body: ABS, UL 94HB Rated Insert: Nylon, UL 94V-2 Rated Inner Shield: Copper Alloy, Nickel Plated Contacts: PHOSPHOR BRONZE, Tin plated Nickel finish Insertion Force: 4.5KG Max Pull Force: 1.0-4.5KG unlocked, 4.5KG Min locked. Durability: 5000 cycles Color: GlobTek Black  Pin contacts designed for AWG18 max wire.  Each set is individually bagged.  Mates with: KPPX-4P, KPPX-4P-SR7DI, PDP-40	

GlobTek, Inc. www.globtek.com 186 Veterans Drive, Northvale, NJ 07647 Tel. (201) 784-1000 Fax (201) 784-0111	Drawing Title: Power Din Inline Jack, 4P, Snap and Lock, Black, supplied in kit, ready to assemble	
	Model No. <a href="#">High Power DC Connectors</a>	
	Part No./Ordering No. <a href="#">GTPWRDIN4LBFEM</a>	Rev A

**PACKAGING**

Packing Spec P/N:

Box Qty: 1000

Gift Box Size (mm):

Gift Box Color: White

Master Carton Size (mm): TBD

Master Carton Cubic Volume (m³): 0.00

Master GW (Kg): kg

wt Ea. (Kg): kg

wt Ea. (Kg): kg

LABEL SPECS: ,

PACK SPEC: