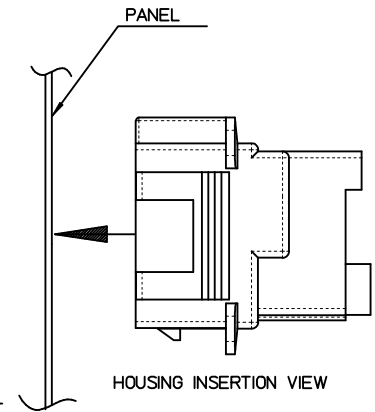
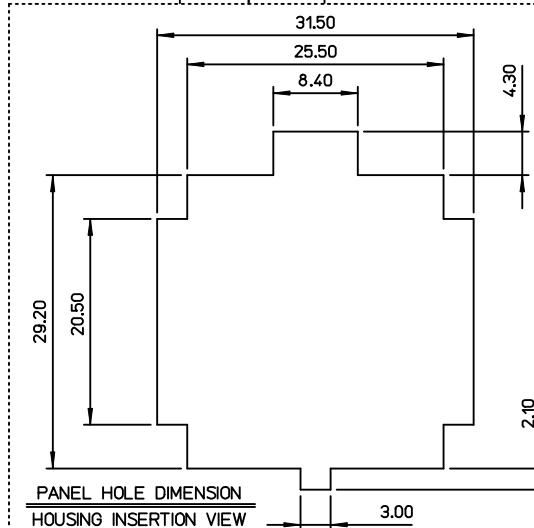
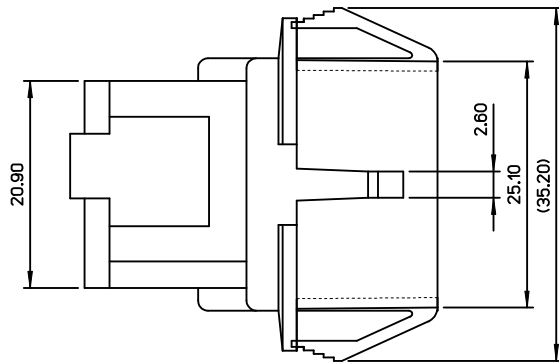
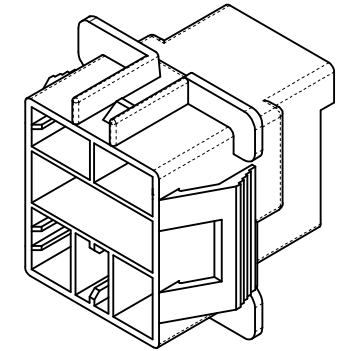
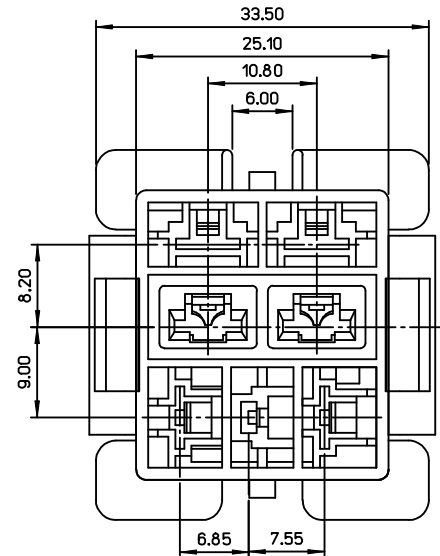
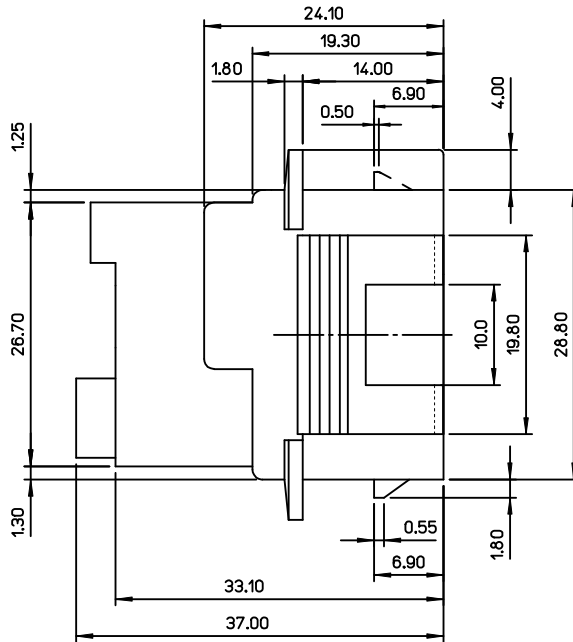


M1 TERMINAL : 35453-9*02
M2 TERMINAL : 35452-9*02
M3 TERMINAL : 35725-1810/1910/3010
M4 TERMINAL : 35765-0110/0210
F1 TERMINAL : 35725-5*10
M = MALE TERMINAL
F = FEMALE TERMINAL



NOTES

- MATERIAL : PET/PC, NO GLASS FILLED, UL94V-0; COLOR : NATURAL
- PRODUCT SPECIFICATION : PS-35546-001
- PACKING SPECIFICATION : PK-35546-001
- MATED HOUSING : 35547-0309
35547-0409

REVISED	IEC NO: KOR2015-0152	2015/06/23	QUALITY SYMBOLS
	DRWN: SCHONG03	2015/06/23	
	CHKD: SHCHU	2015/06/23	
	APPR: YSKIM02	2015/06/30	
REV	DESCRIPTION		

GENERAL TOLERANCES (UNLESS SPECIFIED)	mm	INCH	
	4 PLACES	± ---	± ---
	3 PLACES	± ---	± ---
	2 PLACES	± 0.30	± ---
	1 PLACE	± 0.30	± ---
	0 PLACE	± ---	± ---
ANGULAR ± 3 °			
DRAFT WHERE APPLICABLE MUST REMAIN WITHIN DIMENSIONS			

DIMENSION STYLE		SCALE	DESIGN UNITS	THIRD ANGLE PROJECTION
MM ONLY		2:1	METRIC	
DRAWN BY	DATE	TITLE		
JB. JIN	2012/10/25	.250 MULTI W-T-W CONN. RECEPTACLE HOUSING 7P (FOR GWIT)		
CHECKED BY	DATE			
SH. CHU	2012/10/25			
APPROVED BY	DATE			
YSKIM02	2012/12/27	molex		
MATERIAL NO.	DOCUMENT NO.	SHEET NO.		
355460709	SD-35546-003	1 OF 1		

THIS DRAWING CONTAINS INFORMATION THAT IS PROPRIETARY TO MOLEX INCORPORATED AND SHOULD NOT BE USED WITHOUT WRITTEN PERMISSION