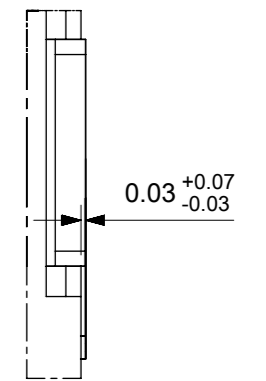
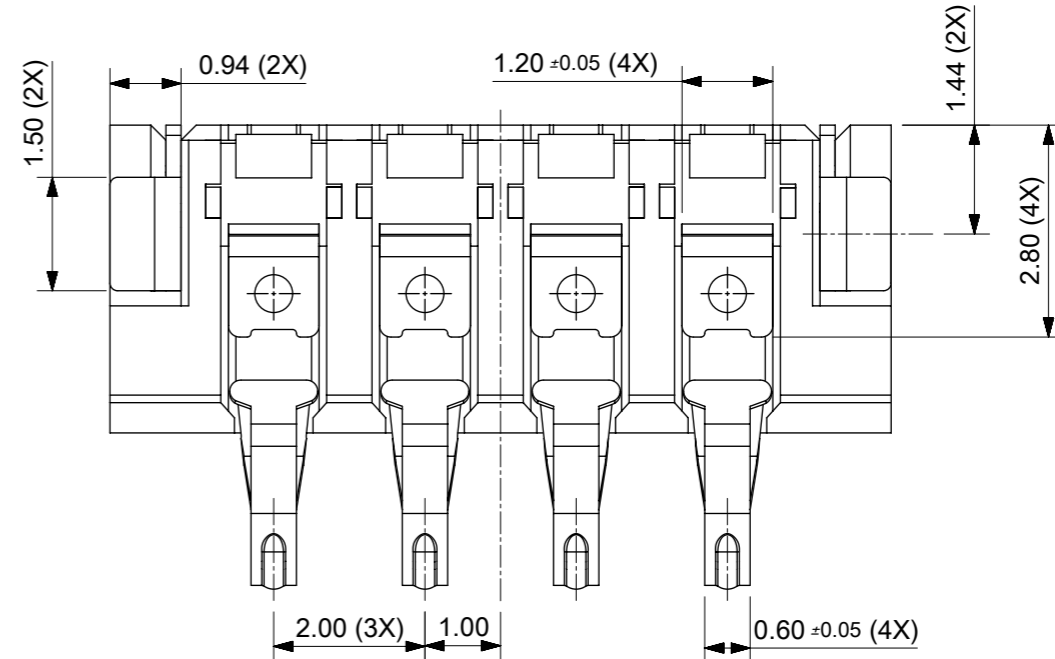
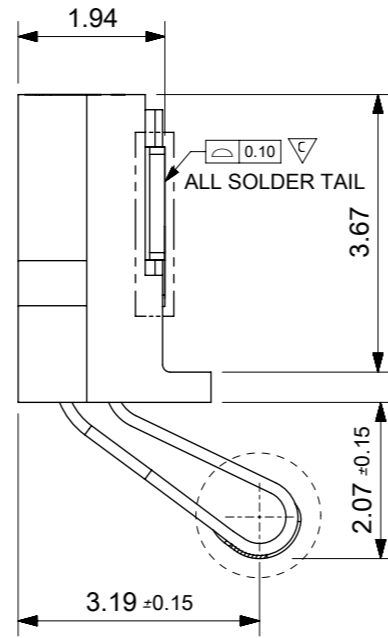
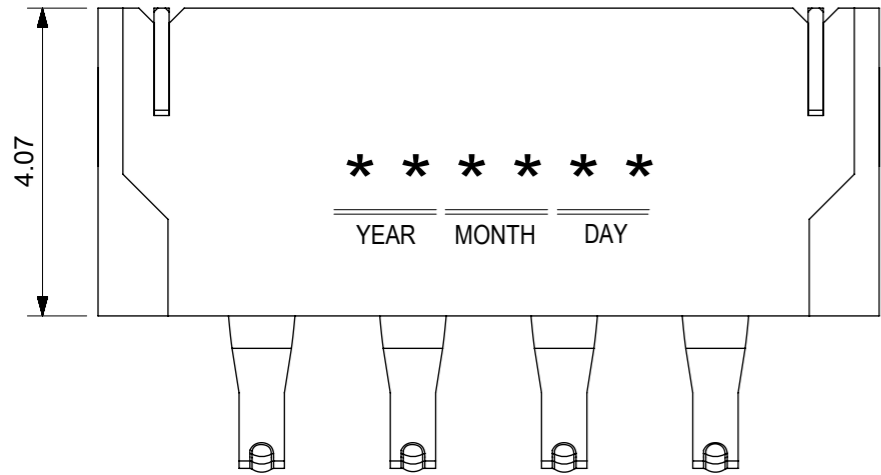
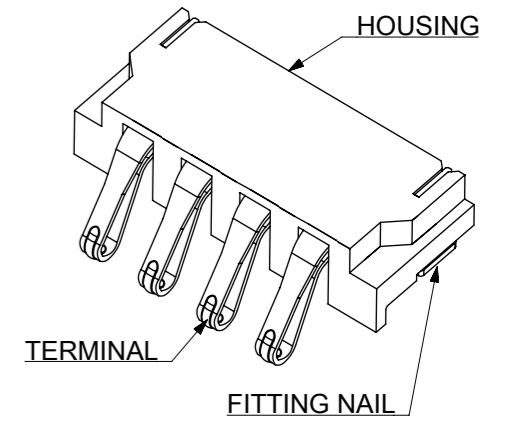
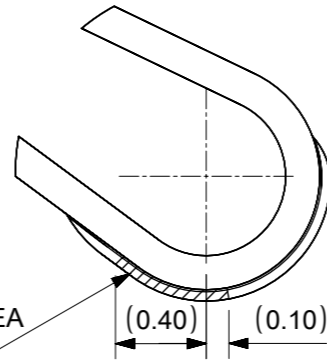


RECOMMENDED PCB LAYOUT
DEFAULT TOLERANCE : +/-0.05MM



DETAIL 1



DETAIL 2

NOTES:

- MATERIAL:
TERMINAL : BERYLLIUMCOPPER
HOUSING : HIGH TEMPERATURE THERMAL PLASTIC
FITTING NAIL : BRASS
- FINISH:
TERMINAL : 50u" Min NICKEL UNDER PLATED
30u" Min GOLD PLATING ON CONTACT AREA
GOLD FLASH ON SOLDERING AREA
FITTING NAIL : 100u" Min TIN ALLOY OVER 50u" Min NICKEL OVERALL
- PRODUCT SPECIFICATION : PS-105080-001
- PACKAGEING SPECIFICATION : PK-47618-001
- NORMAL FORCE SPEC:
COMPRESS 1.37MM, READING DATA AT LOADING CURVE
45+/-25gf AT 0.63mm DEFLECTION
70+/-25gf AT 1.0mm DEFLECTION
210gf MAX AT 1.37mm DEFLECTION
- COMPLIANT TO RoHS DIRECTIVE 2011/65/EU
AND ELV DIRECTIVE 2000/53/EC

THIS DRAWING CONTAINS INFORMATION THAT IS PROPRIETARY TO MOLEX ELECTRONIC TECHNOLOGIES, LLC AND SHOULD NOT BE USED WITHOUT WRITTEN PERMISSION

CORRECT PCB EDGE	EC NO: 113907	DRWN: AWANG17	CHK'D: XQZHANG	2017/02/20	2017/02/27	GENERAL TOLERANCES (UNLESS SPECIFIED)	DIMENSION UNITS	SCALE	
	4 PLACES		±	YPWU		2009/04/10	MM		
	3 PLACES		±	CHK'D BY		DATE			
	2 PLACES		± 0.13	HWWANG		2009/04/13			
1 PLACE		±	DRAWING SIZE		THIRD ANGLE PROJECTION				
0 PLACES		±	A3						
DRAFT WHERE APPLICABLE MUST REMAIN WITHIN DIMENSIONS									
SALES DRAWING			4 PIN 2.0MM PITCH BATTERY CONNECTOR			PRODUCT CUSTOMER DRAWING			
SERIES	MATERIAL NUMBER	CUSTOMER							
105080	1050801001	GENERAL MARKET							
DOCUMENT NUMBER			DOC TYPE	DOC PART	SHEET NUMBER				
SD-105080-001			PSD	000	1 OF 1				