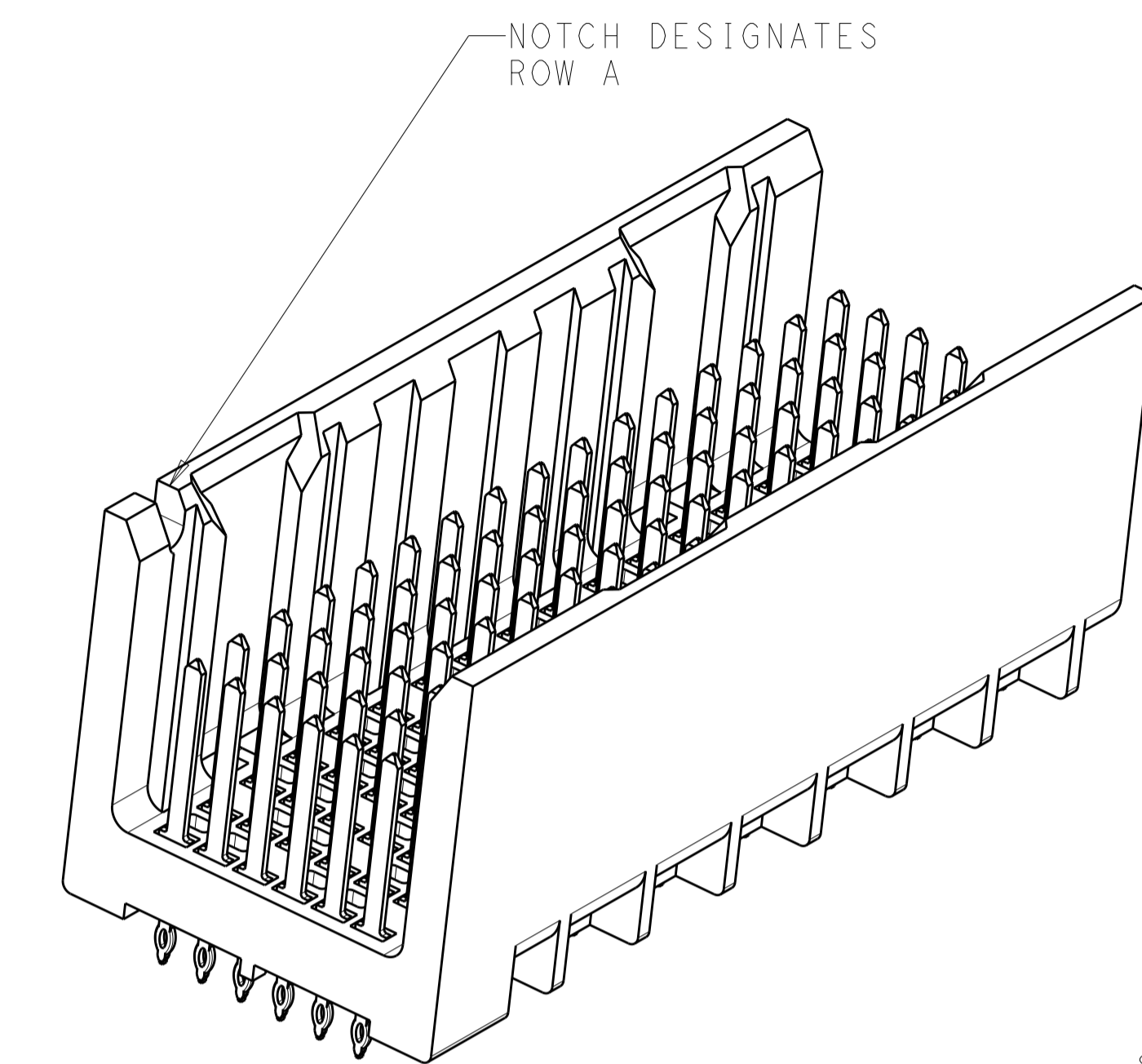
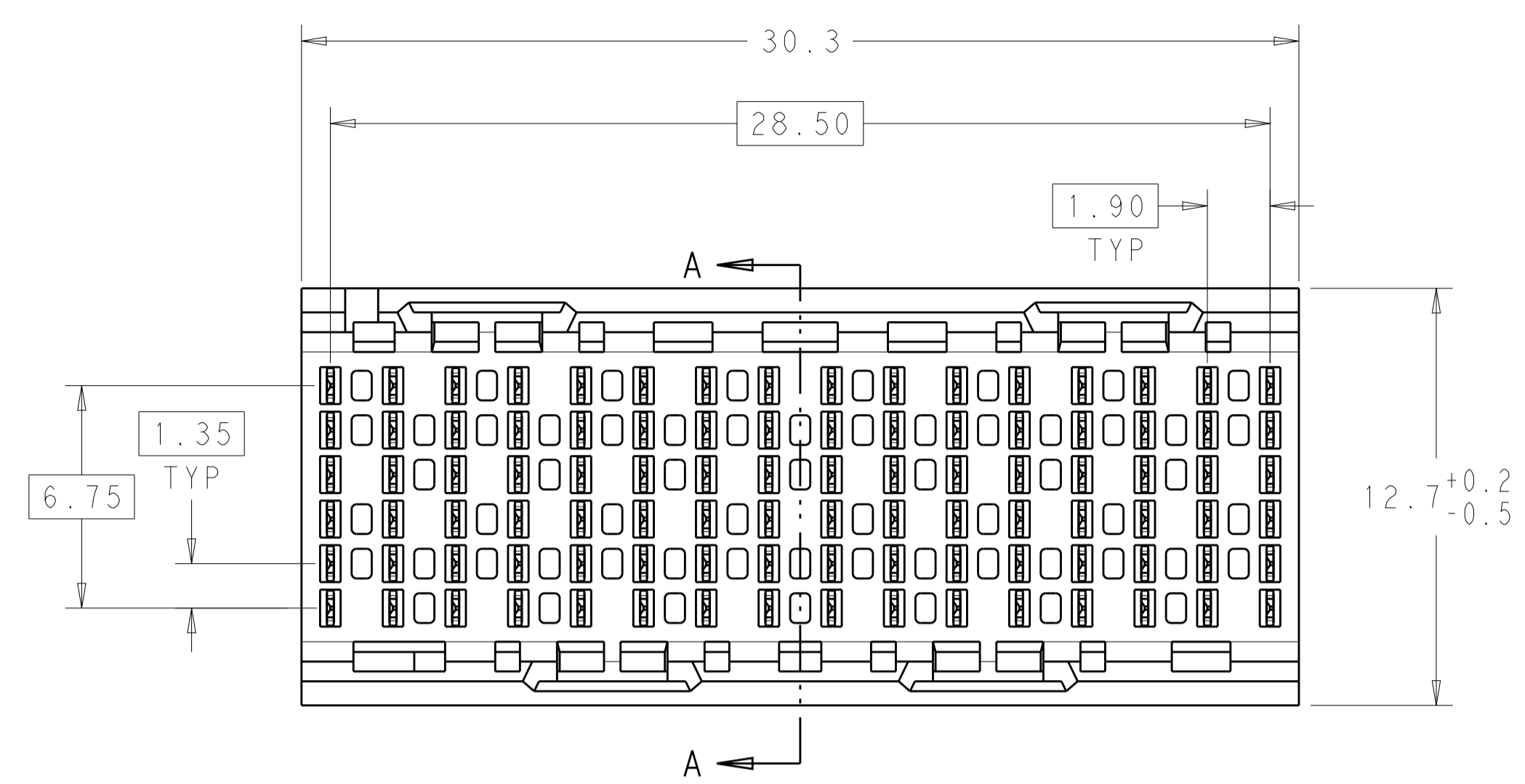
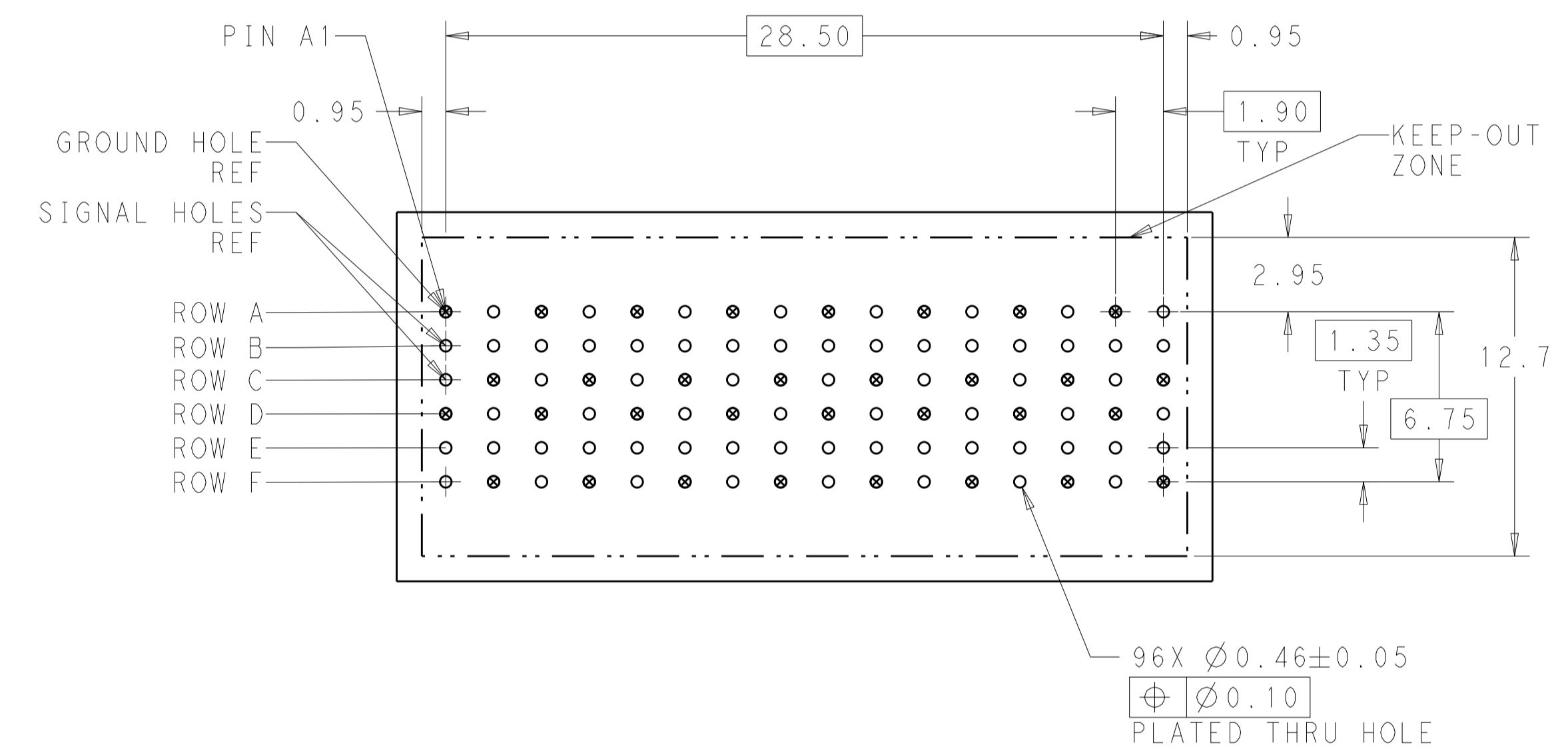


LOC		DIST		REVISIONS			
P	LTN	DESCRIPTION	DATE	DWN	APVD		
A		REVISED PER ECO-15-001498	02FEB2015	AP	DD		

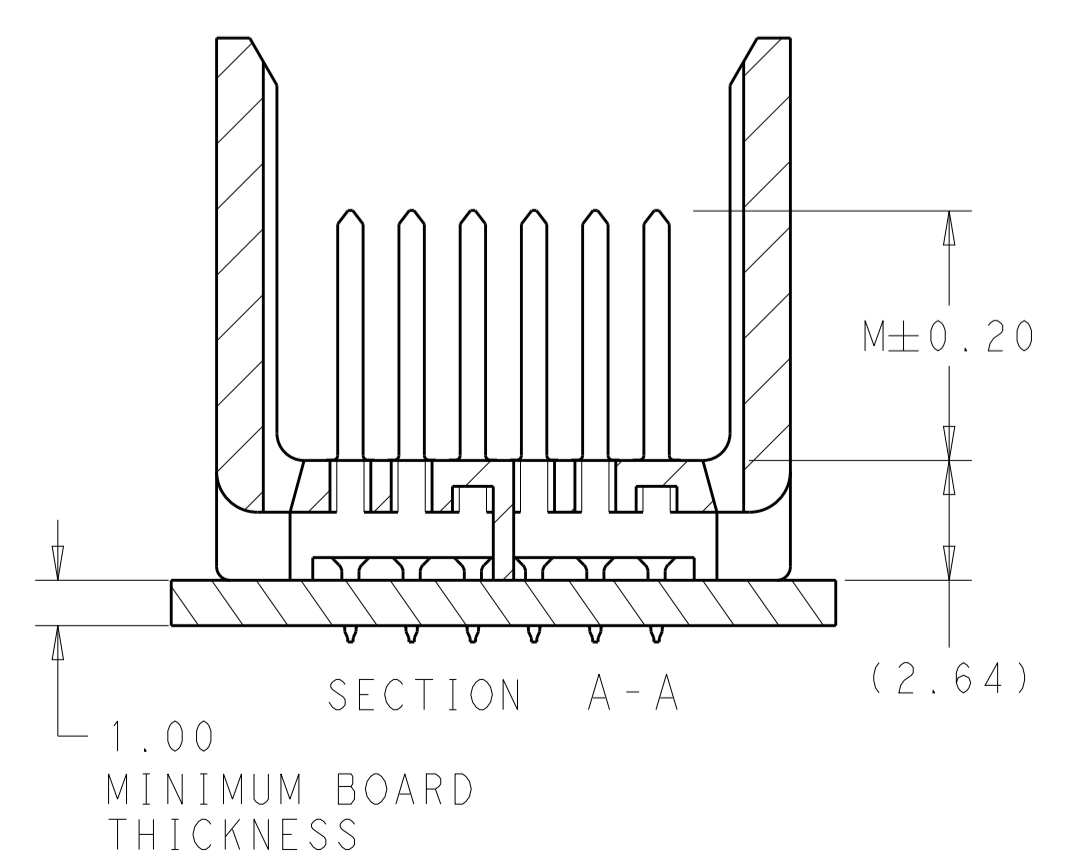
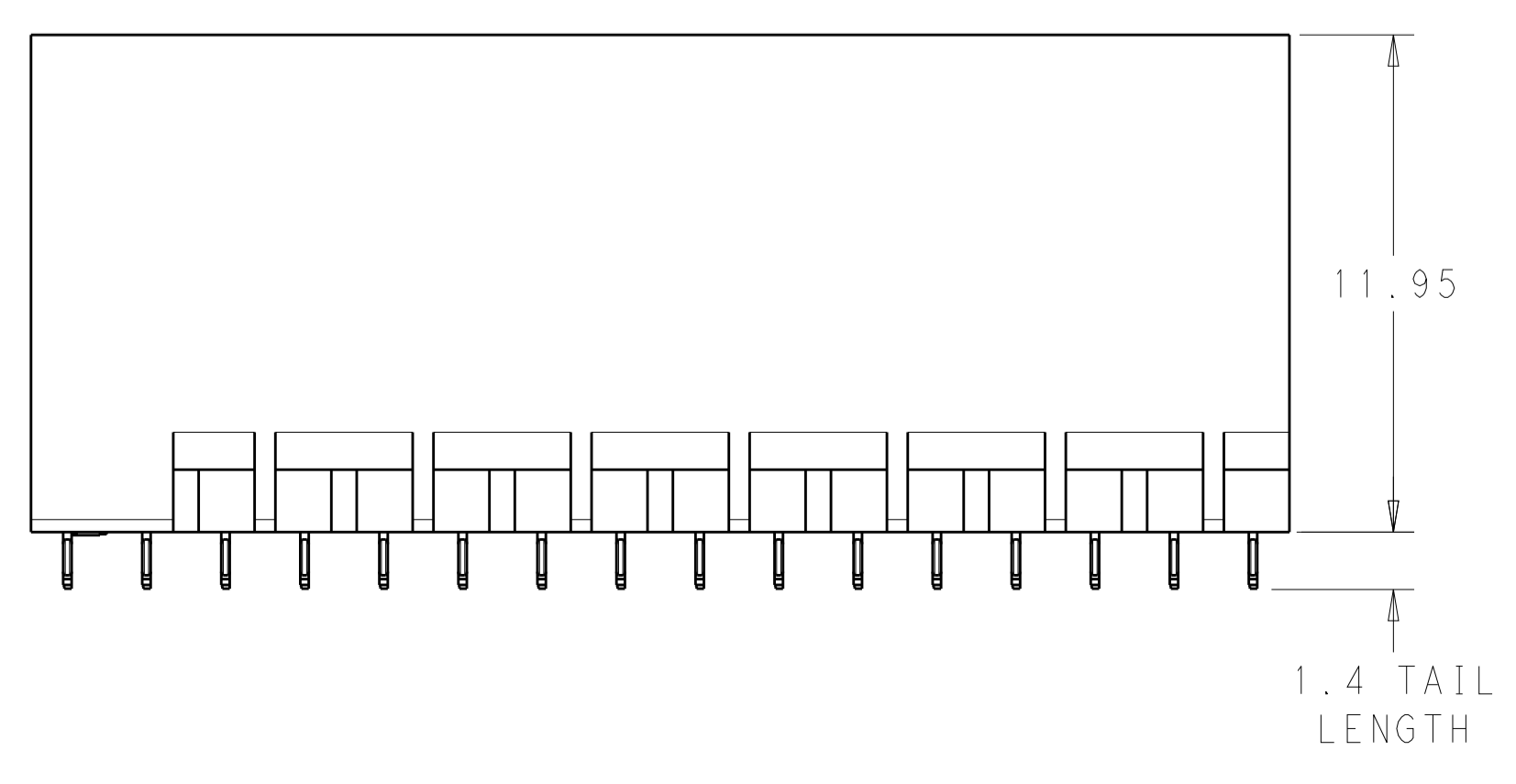


⚠ MATERIAL:
 HOUSING: LCP, GLASS FILLED, UL94V-0.
 TERMINALS: HIGH PERFORMANCE COPPER ALLOY.

⚠ FINISH:
 30μ" MIN GOLD IN CONTACT AREA. SELECTIVE TIN
 ON PCB TAILS, NICKEL OVERALL.



UNGUIDED
 BACKPLANE HOLE PATTERN
 (CONNECTOR SIDE)



THIS DRAWING IS A CONTROLLED DOCUMENT.		DWN: KIRAN HOLH 08NOV2012	TE Connectivity
DIMENSIONS: mm		CHK: D. DIXON 08NOV2012	
TOLERANCES UNLESS OTHERWISE SPECIFIED:		APVD: D. DIXON 08NOV2012	NAME: IMPACT, 2 PAIR, 16 COLUMN, HEADER
0 PLC ±	1 PLC ±0.25	PRODUCT SPEC	UNGUIDED, OPEN END WALL
2 PLC ±0.13	3 PLC ±	APPLICATION SPEC	SIGNAL MODULE, 0.46 PTH
4 PLC ±	ANGLES ±	WEIGHT	SIZE: CAGE CODE DRAWING NO
FINISH: SEE TABLE	SEE TABLE	Customer Drawing	A100779C=2057744
RESTRICTED TO		SCALE: 6:1	SHEET 1 OF 2 REV A

THIS DRAWING IS UNPUBLISHED. RELEASED FOR PUBLICATION 20
 © COPYRIGHT 20 BY ALL RIGHTS RESERVED.

LOC		DIST		REVISIONS			
P	LTN	DESCRIPTION	DATE	DMN	APVD		
-	-	SEE SHEET 1	-	-	-		

	5.5	2057744-3
	4.9	2057744-2
	4.5	2057744-1
FINISH	DIM M	PART NUMBER

REFER TO WWW.TE.COM
FOR PRODUCT AVAILABILITY

THIS DRAWING IS A CONTROLLED DOCUMENT.		DMN KIRAN HOLHL 08NOV2012	
		CHK D.DIXON 08NOV2012	
DIMENSIONS:		APVD D.DIXON 08NOV2012	NAME
mm	TOLERANCES UNLESS OTHERWISE SPECIFIED:	PRODUCT SPEC	IMPACT, 2 PAIR, 16 COLUMN, HEADER
	0 PLC ±	APPLICATION SPEC	UNGUIDED, OPEN END WALL
	1 PLC ±0.25		SIGNAL MODULE, 0.46 PTH
	2 PLC ±0.13		SIZE CAGE CODE DRAWING NO RESTRICTED TO
	3 PLC ±		A100779C=2057744
	4 PLC ±		Customer Drawing
	ANGLES ±	WEIGHT	SCALE 5:1 SHEET 2 OF 2 REV A
MATERIAL	FINISH SEE TABLE		