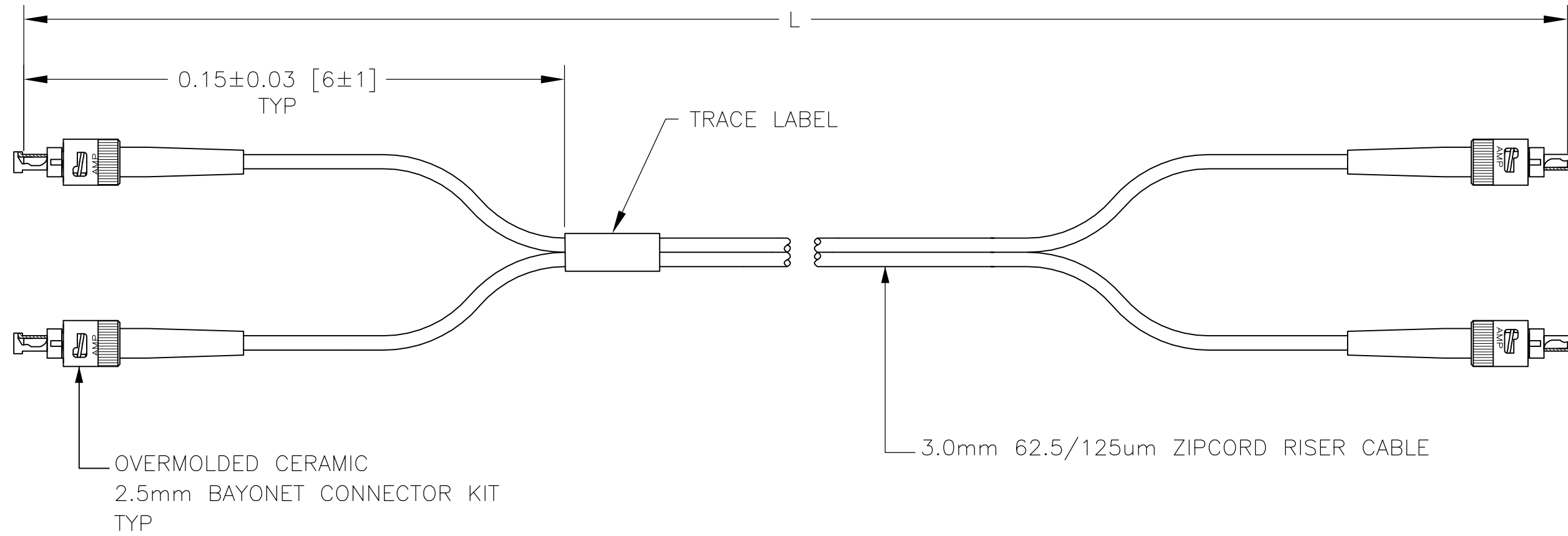


THIS DRAWING IS UNPUBLISHED. RELEASED FOR PUBLICATION
 © COPYRIGHT - By - ALL RIGHTS RESERVED.

LOC	DIST	REVISIONS					
		P	LTR	DESCRIPTION	DATE	DWN	APVD
CE	16	A2		REVISED PER ECO-11-005139	25MAR11	RK	HMR

- 1. MAXIMUM INSERTION LOSS IS 0.5dB PLUS CABLE ATTENUATION OF 1.5dB/km AT 1300nm. (SEE TABLE)
- 2. PRODUCT AND PROCESSING MUST MEET REQUIREMENTS OF TE CONNECTIVITY STANDARD 230-702



0.63	91.00±0.91 [3582.6±35.8]	9-5503995-1
0.58	50.0±0.50 [1969.0±20.00]	5-5503995-0
0.55	30.0±0.30 [1181.0±12.00]	3-5503995-0
0.80	200.0±2.00 [7874.0±79.0]	2-5503995-2
0.53	20.0±0.30 [787.0±12.00]	2-5503995-1
0.51	4.00±0.08 [157.5±3.00]	2-5503995-0
0.53	18.29±0.30 [720.00±12.00]	1-5503995-9
0.52	14±0.15 [551±6]	1-5503995-8
0.52	13±0.15 [512±6]	1-5503995-7
0.52	11±0.15 [433±6]	1-5503995-6
0.52	15.24±0.30 [600±12]	1-5503995-5
0.52	12.19±0.15 [480±6]	1-5503995-4
0.51	7.92±0.15 [312±6]	1-5503995-3
0.51	6.10±0.08 [240.0±3.0]	1-5503995-2
0.50	3.66±0.08 [144.0±3.0]	1-5503995-1
0.50	1.22±0.05 [48.0±2.0]	1-5503995-0
0.50	0.91±0.05 [36.0±2.0]	5503995-9
0.50	0.61±0.03 [24.0±1.0]	5503995-8
0.51	0.30±0.03 [12.0±1.0]	5503995-7
0.51	7.5±0.08 [295±3]	5503995-6
0.51	10±0.15 [394±6]	5503995-5
0.51	5±0.08 [197±3]	5503995-4
0.50	3±0.05 [118±2]	5503995-3
0.50	2±0.05 [79±2]	5503995-2
0.50	1±0.05 [39±2]	5503995-1
MAX IL (dB)	L METERS [INCHES]	PART NUMBER

THIS DRAWING IS A CONTROLLED DOCUMENT.		DWN C.S.VASU 14 NOV 05		
DIMENSIONS: METERS[INCHES]		CHK J.DUNCAN 14 NOV 05		
TOLERANCES UNLESS OTHERWISE SPECIFIED:		APVD J.DUNCAN 14 NOV 05	NAME CABLE ASSY, FIBER OPTIC, 62.5/125um ZIP RISER, OVERMOLDED CERAMIC 2.5mm BAYONET, OPTIMATE	
0 PLC ± - 1 PLC ± - 2 PLC ± - 3 PLC ± - 4 PLC ± - ANGLES ± -		PRODUCT SPEC -	RESTRICTED TO -	
MATERIAL -		FINISH -	WEIGHT -	SIZE A2
		CUSTOMER DRAWING		CAGE CODE 00779
		DRAWING NO 5503995		SCALE NTS
		SHEET 1 of 1		REV A2