

# FIBER MANAGEMENT

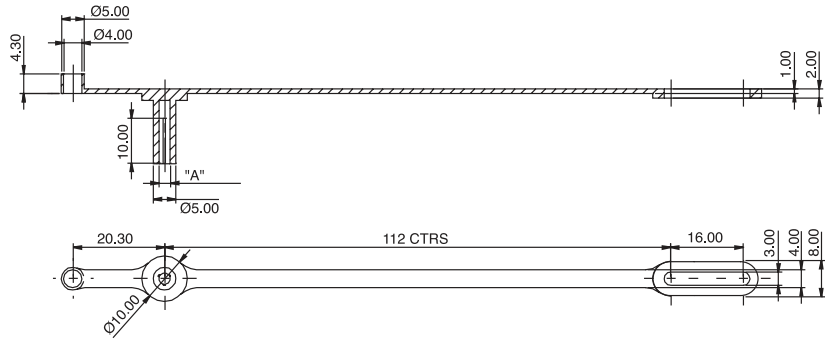
## EFA02 50 XXX

### Ferrule Dust Cap and Tie



#### Features

- Provides environmental protection for Ø2.5mm and Ø1.25mm ferrules with molded-on retaining tie



A Europlus/Richco Product	
<b>Material: TPE, RMS-185; Color: Black</b>	
<b>Standard Pack: 500 per bag</b>	
<b>Part Number</b>	<b>"A"</b>
EFA02 50 001	2.50/2.45
EFA02 50 002	1.25/1.20
<b>All dimensions in millimeters</b>	

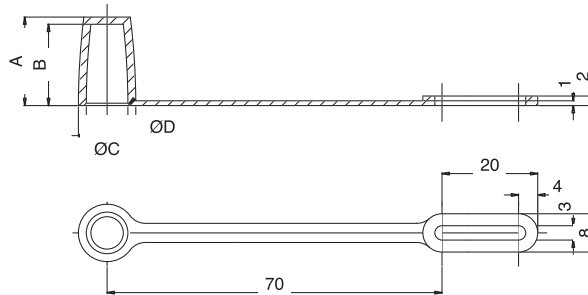
## EFA02

### One-Piece Dust Cap and Tie



#### Features

- Provides environmental protection various connectors with molded-on retaining tie



A Europlus/Richco Product						
<b>Material: PVC, RMS-186; Color: Black</b>						
<b>Standard Pack: 250 per bag</b>						
<b>Part No.</b>	<b>Contents</b>	<b>"A"</b>	<b>"B"</b>	<b>"C"</b>	<b>"D"</b>	
EFA02 08 ASS	One-Piece Biconic Dust Cap & Tie	23.5	22.0	13.0	10.4	
EFA02 11 ASS	One-Piece FC/ST Dust Cap & Tie	18.5	17.0	12.0	8.7	
EFA02 13 ASS	One-Piece ST Connector Dust Cap & Tie			15.3	12.0	
<b>Parts are available by special order only. 500 piece minimum.</b>						
<b>All dimensions in millimeters</b>						

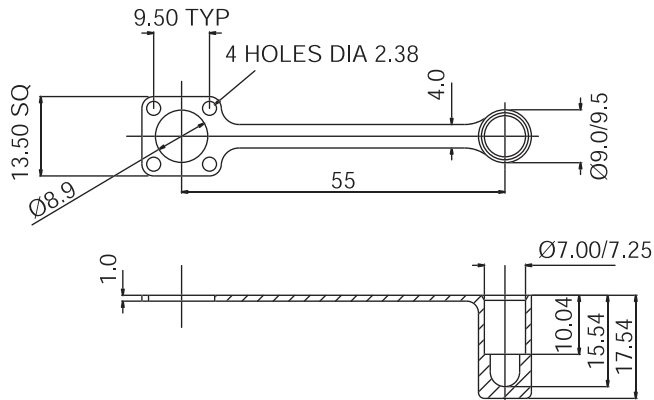
## EFA02 35 001

### One-Piece ST Adapter Dust Cap and Tie



#### Features

- Provides environmental protection to an ST adapter with molded-on retaining tie



A Europlus/Richco Product	
<b>Material: TPE, RMS-185; Color: Black</b>	
<b>Standard Pack: 250 per bag</b>	
EFA02 35 001	
<b>All dimensions in millimeters</b>	