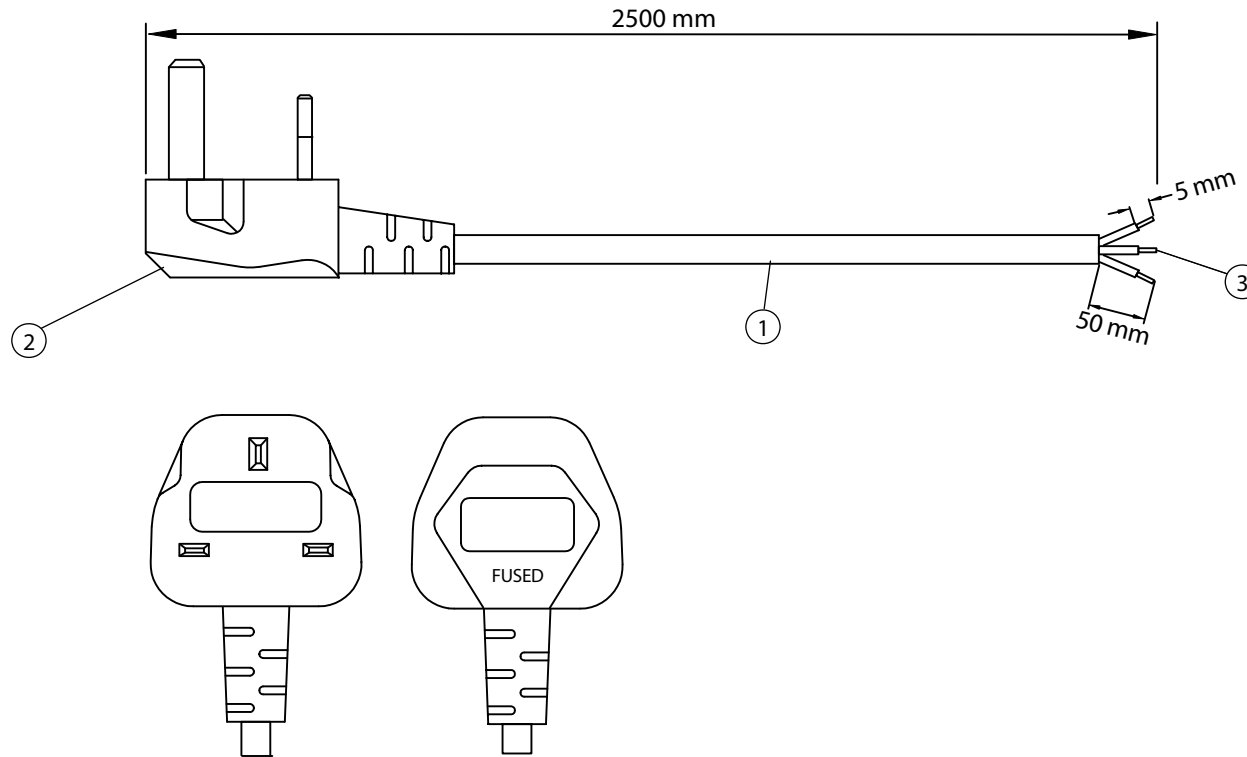


THESE DRAWINGS ARE THE PROPERTY OF QUALTEK ELECTRONICS AND NOT TO BE REPRODUCED FOR OR COMMUNICATED TO A THIRD PARTY WITHOUT THE EXPRESS WRITTEN PERMISSION OF AN OFFICER OF QUALTEK ELECTRONICS.

REVISION			
REV.	DESCRIPTION	DATE	APPROVED



**CONTROLLED**

NOTES:

- CORDAGE: HO5VV-F, 3x1.50mm, UNSHIELDED  
CEE COLOR CODE, TEMP. RATING 70°C  
RATING: 250V 16A, JACKET COLOR: BLACK
- PLUG: UNITED KINGDOM BS1363A WITH 13 AMP FUSE
- OTHER END: ROJ 50mm, STRIP 5mm
- APPROVALS: UNITED KINGDOM, BSI
- ROHS COMPLIANT

Dim range (mm)	Tolerance +/- (mm)	Qualtek Electronics Corp. PPC DIVISION		
0-1	0.15	Part Number: 369004-E01		RoHS Compliant
1-6	0.20	Description: POWER CORD		
6-18	0.30	UNIT: mm		
18-50	0.50	Drawn / Date	Checked / Date	Approved / Date
50-120	0.70	R.Nuti 09-26-07	09-26-07	JJH / 09-26-07
120-250	0.90			
250-500	1.20			