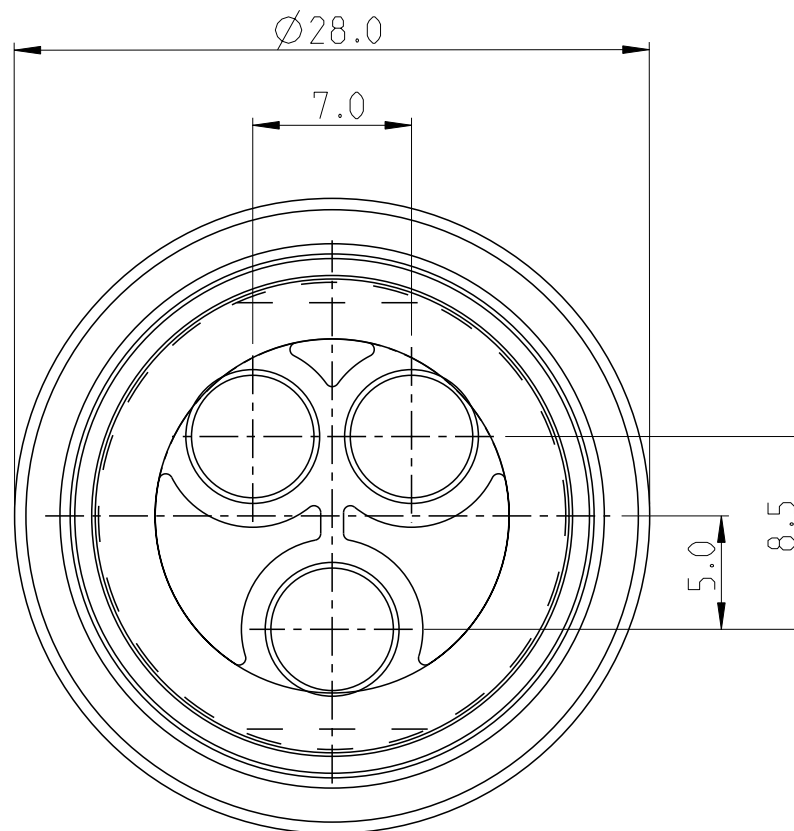
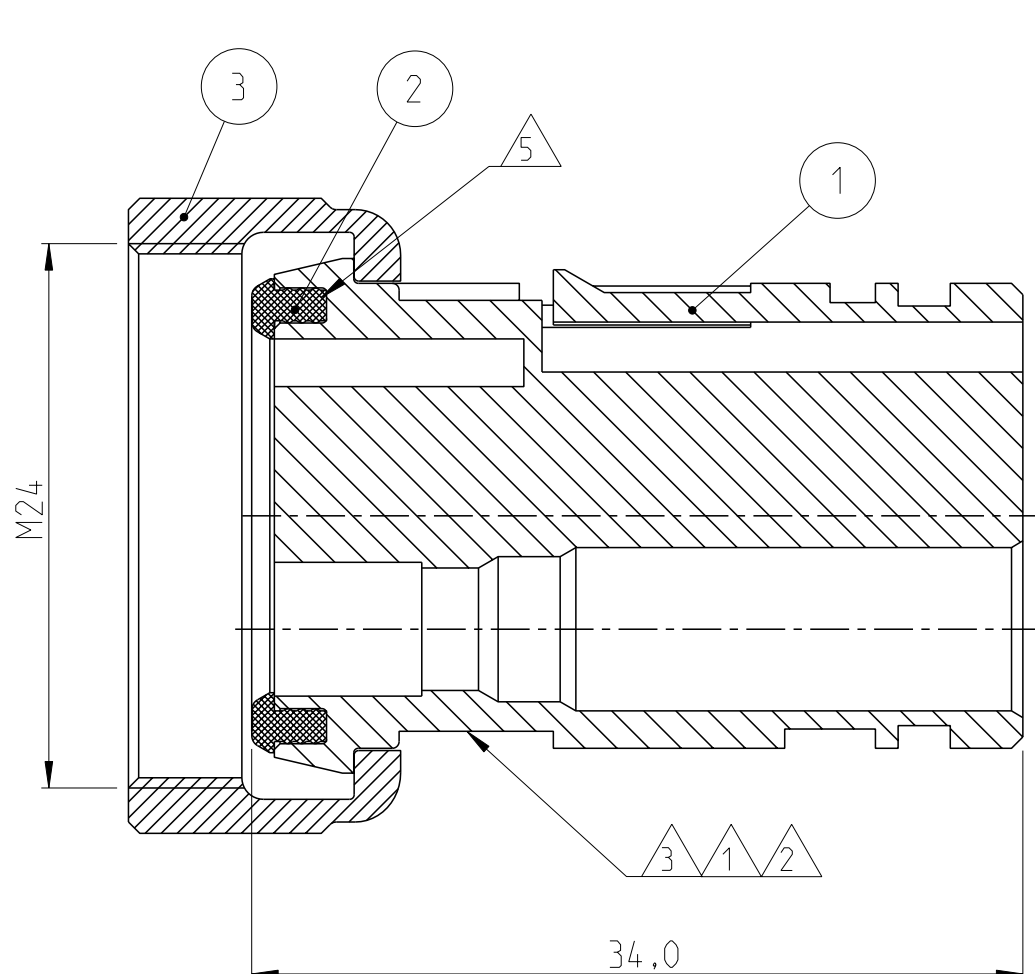


REVISIONS

P	LTR	DESCRIPTION	DATE	DWN	APVD
0	H-9527		10-02-92	JvL	RotB
A	H-9765		13MAY92	LvdH	RotB
B	EH-0896-93		18-11-93	DK	RotB
B1	ECR-13-014597		01JAN2014	JBH	GB



NOTES:

- 1 TE-TRADEMARK PER SPEC.
- 2 TE-IDENTIFICATION NUMBER ACC. DIN 1451 MITTLESCHR. HEIGHT 1.2
- 3 TE-MOLD IDENTIFICATION NUMBER
- 4 CAVITY FOR:
 - 1 4mm. SOCKET CONTACT WIRE SIZE 0.5-4mm² SEE DRAWING NR. 962952-1 NR. 962954-1 NR. 962956-1
 - 2 SCAT SEE DRAWING NR. 963243-1 NR. 963244-1
- 5 SEAL BONDED IN INSERT.

-1 AS SHOWN

BRASS	NUT M24	BRASS	100296-1	3
SILICON RUBBER	SEALING RING	BLACK	100294-1	2
PBT	3-POS. HOUSING	BLACK	100289-1	1
MATERIAL	DESCRIPTION	COLOUR/FINISH ^(B1)	PART NUMBER	ITEM

THIS DRAWING IS A CONTROLLED DOCUMENT.		DWN	01JAN2001	 TE Connectivity	
		CHK	01JAN2001		
		APVD	01JAN2001		
		PRODUCT SPEC			
DIMENSIONS: mm		TOLERANCES UNLESS OTHERWISE SPECIFIED:		NAME	
		0 PLC ± 1 PLC ±0.2 2 PLC ±0.02 3 PLC ±0.005 4 PLC ± ANGLES ±°		ASSY 3 POS HOUSING FOR 4mm. SOCKET CONTACT M24 VERSION	
MATERIAL		FINISH		SIZE	RESTRICTED TO
-		-		A3	-
				CAGE CODE	DRAWING NO
				00779	©=100285
				SCALE 5:1 SHEET 1 OF 1 REV B1	
				CUSTOMER DRAWING	