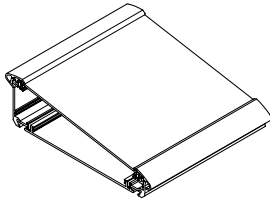
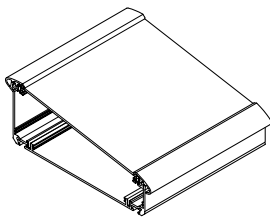


## Cross-sections

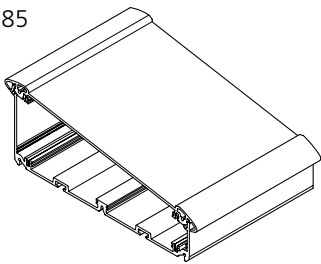
ATPH 1850



ATPH 1865

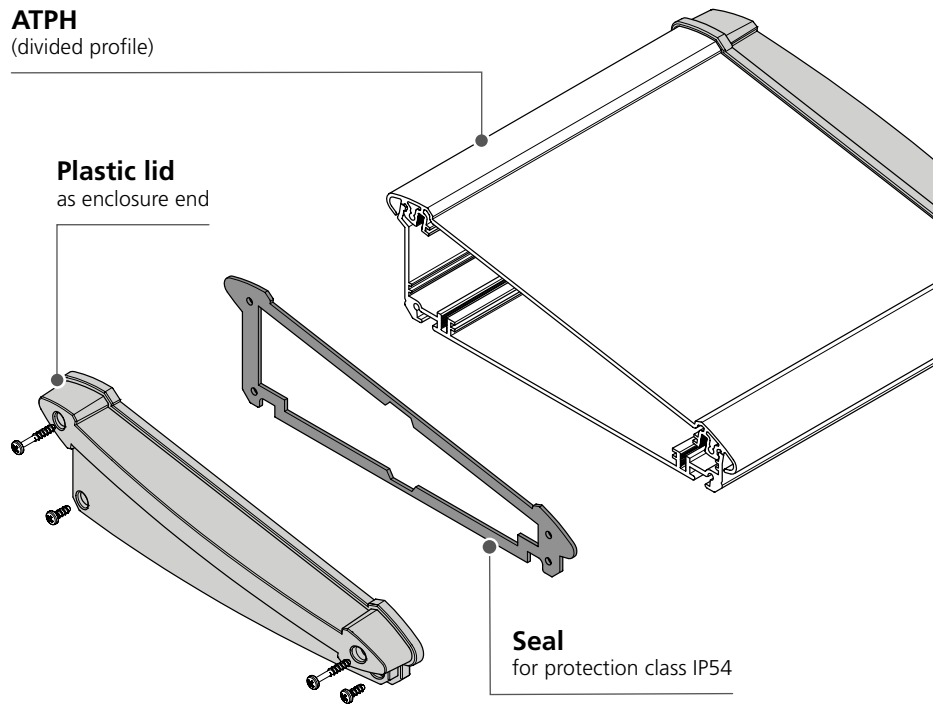


ATPH-IP 2385

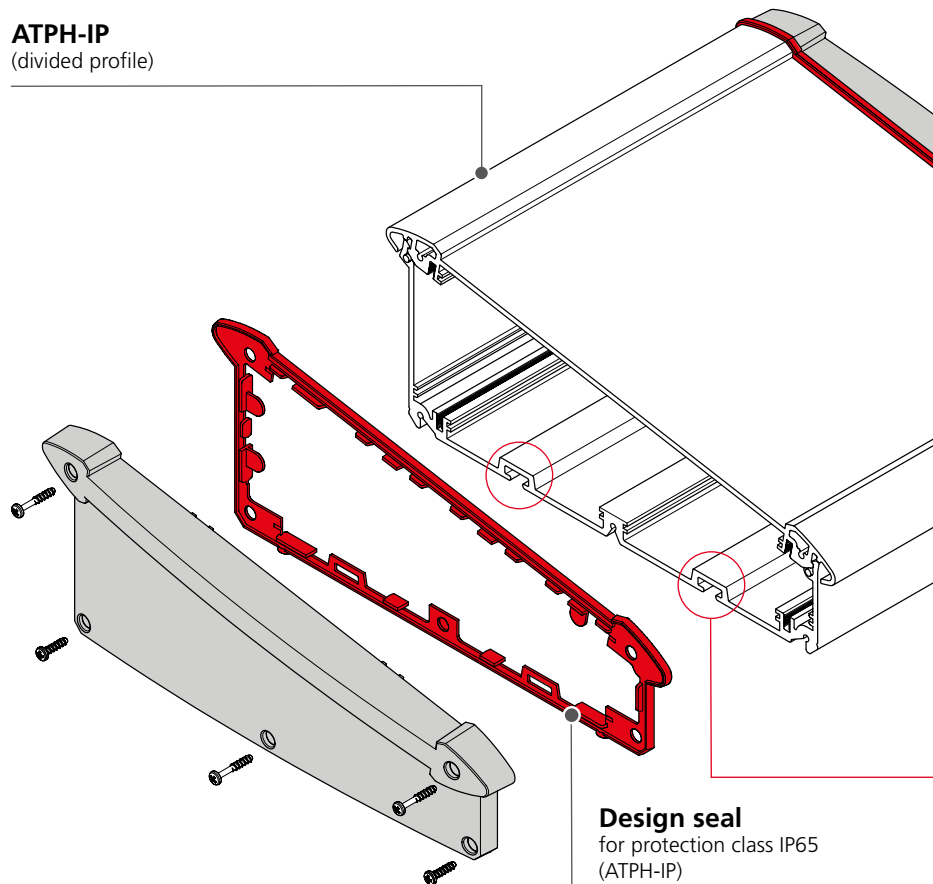


## Enclosure versions

**ATPH**  
(divided profile)



**ATPH-IP**  
(divided profile)





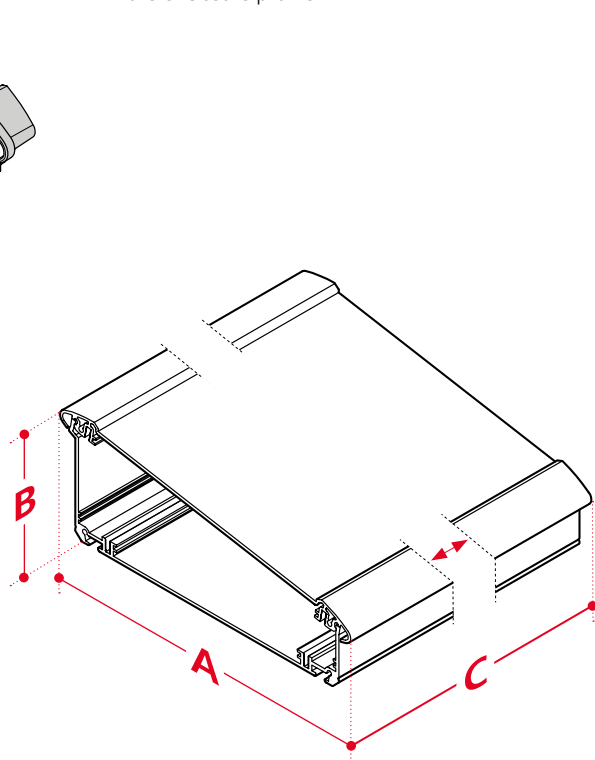
**BOPLA**

A Phoenix Mecano Company

# Alu-Topline

## ! Note

For protection class IP54, in addition to seal AT...DI – available as an accessory – a round cord seal can be factory-fitted in the enclosure profile.



## Dimensions

Model	A	B	C
ATPH 1850	181.2	53.2	*
ATPH 1865	181.2	68.2	*
ATPH-IP 2385	232,6	86,2	*

\*C = standard lengths: 150 / 200 / 250 / 265 / 300  
Special lengths on request.

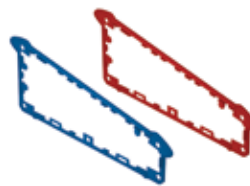
## Accessories



Universal wall fitting



Rubber feet



Design seal for protection class IP65



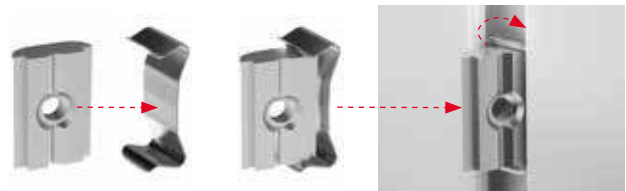
Seal for protection class IP54



Aluminium wall mounting



Insulating strip



Slot nuts, swivellable, for VESA mounting ATPH-IP

## Inserts for slot nuts

e.g. for wall mounting using VESA 100

