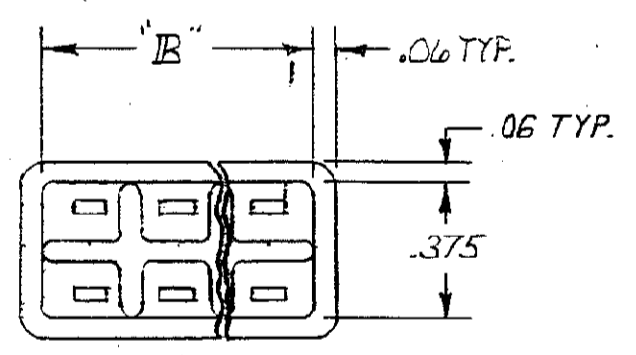
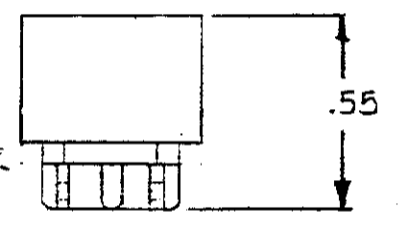
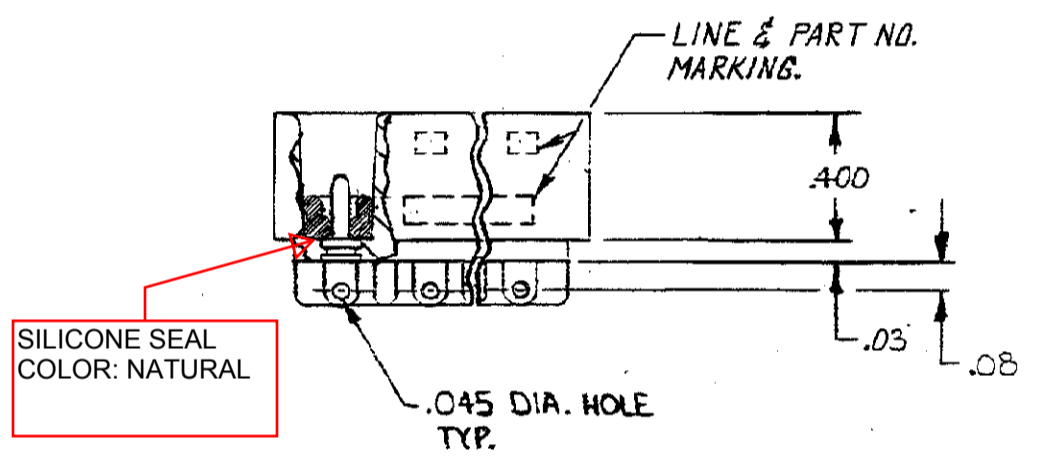
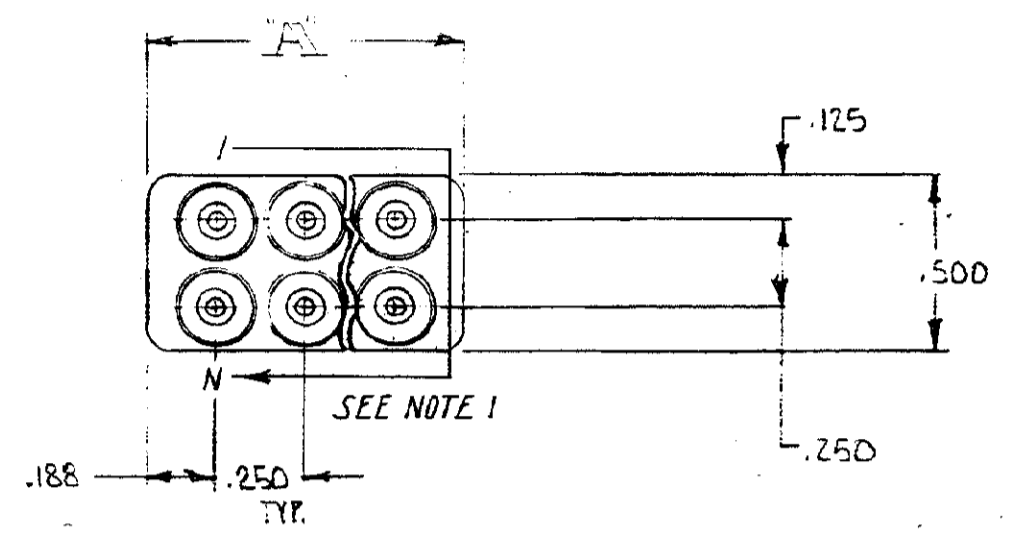


© COPYRIGHT 1977 BY AMP INCORPORATED, HARRISBURG, PA. ALL INTERNATIONAL RIGHTS RESERVED. AMP INCORPORATED PRODUCTS COVERED BY U. S. AND FOREIGN PATENTS AND/OR PATENTS PENDING.

UNPUBLISHED COPY NOT TO BE REPRODUCED NOR PUBLISHED WITHOUT WRITTEN PERMISSION OF AMP INCORPORATED.

REVISIONS					
P	F	ZONE	LTR	DESCRIPTION	DATE APPROVED
				SK-50858C	9-10-77
				RELEASED FOR PROD.	RN 9/21/77
		A		ADDED NOTE I & MARKING ECN 8180	10-28-77
		C-3	B	.400 WAS .370, .03 WAS .06, ECN 8192, DS	11-16-77
			C	REV. PER ECN 8227	RN 2-15-78
			D	UP-DATED ECN 8384	RGR 9-6-78
			E	OBSOLETE -5 ECN L1556 REACTIVATED -5 ECN S 3524	4-7-87
			F	REV PER ECO-10-017059	12-10 DE



AMP P/N	CONTACT	"A" DIM.	"B" DIM.
863773-1	2	.375	.250
863773-2	4	.625	.500
863773-3	6	.875	.750
863773-4	8	1.125	1.000
863773-5	10	1.375	1.250
863773-6	12	1.625	1.500

1. LINE NUMBERS ARE MARKED ON THE SIDES COUNTING FROM 1 TO N AS SHOWN (N=NUMBER OF CONTACTS).

				UNLESS OTHERWISE SPECIFIED DIMENSIONS ARE IN INCHES. TOLERANCES: .00 ± .02, .000 ± .005 ANGLES ±		CONTRACT NO 8-3-77		AMP INCORPORATED E hazlet town, Pa.	
				MATERIAL MOLDED GLASS EPOXY		DR 8-3-77		NAME PIN HOUSING ASSEMBLY	
				FINISH BLACK		CHK		DRAWING NO 863773	
				NEXT ASSY		APPD 8-3-77		SIZE C	
				USED ON		APPD 9-21-77		CODE IDENT NO 00779	
				QTY REQD		DSGN APPD		SHEET 1 OF 1	
				APPLICATION		OTHER APPD		REV F	

UP-DATED