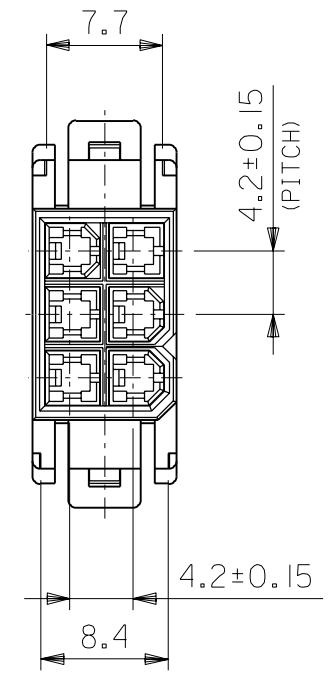
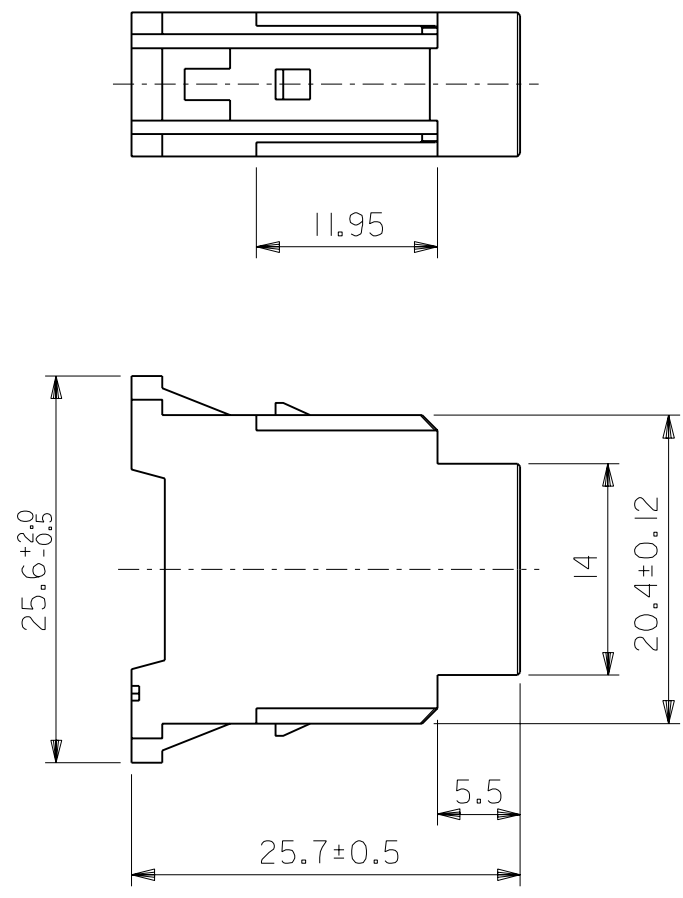
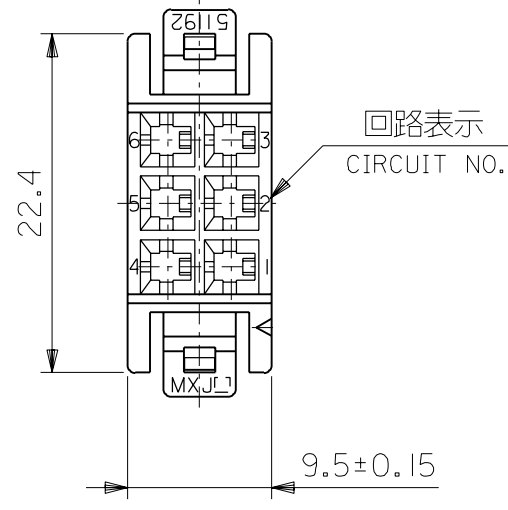


DWG. NO.  
SD-51192-002



注記:  
NOTES:  
1. 適用ターミナル: 5558\*\*\*\*.  
APPLICATION TERMINAL  
2. 指定外公差: ±0.2.  
UNSPECIFIED DIMENSION TOLERANCE

DO NOT SCALE DRAWING

EC NO. DRWN: CHK: APPR:		EC NO. DRWN: CHK: APPR:		EC NO. DRWN: CHK: APPR:		REVISED EC NO. JD90675 '98/11/06 DRWN: Y. TETSUKA CHK: S. AKIYAMA/YO.ITO APPR: H. IKESUGI		RELEASED EC NO. JD81452 '98/04/22 DRWN: M. HOSONO CHK: Y. ITO APPR: H. IKESUGI		MATERIAL 材料 ガラス入ナイロン66 UL94V-0 色: 自然色		GENERAL TOLERANCES: (UNLESS SPECIFIED) 一般公差		SCALE 2-1		DESIGN UNITS <input checked="" type="checkbox"/> mm <input type="checkbox"/> INCH		THIRD ANGLE PROJECTION <input type="checkbox"/> <input checked="" type="checkbox"/>		DIMENSIONS: <input type="checkbox"/> mm <input type="checkbox"/> INCH <input checked="" type="checkbox"/> mm ONLY		SHT REV															
				A		Ø		FINISH 仕上げ —#—		WIRE RANGE 適用電線範囲 —#—		INS. RANGE 被覆外径 —#—		10 UNDER 未満 ±0.2		10 OVER 以上 ±0.25		30 UNDER 未満 ±0.3		30 OVER 以上 ±0.3		ANGLE 角度 ±3°		DRAWN BY & DATE M. HOSONO '98/04/22		CHECKED BY & DATE Y. Ito '98/04/22		APPROVED BY & DATE H. Ikesugi '98/04/22		CAD FILENAME 51192002.S01		MATERIAL NO. SEE CHART		DRAWING NO. SD-51192-002		SHEET NO. 1 OF 1	
																								TITLE: POWER CONN PIN HOUSING (6P)		MOLEX INCORPORATED		THIS DRAWING CONTAINS INFORMATION THAT IS PROPRIETARY TO MOLEX INCORPORATED AND SHOULD NOT BE USED WITHOUT WRITTEN PERMISSION.		SIZE B							

10S-200202.S01