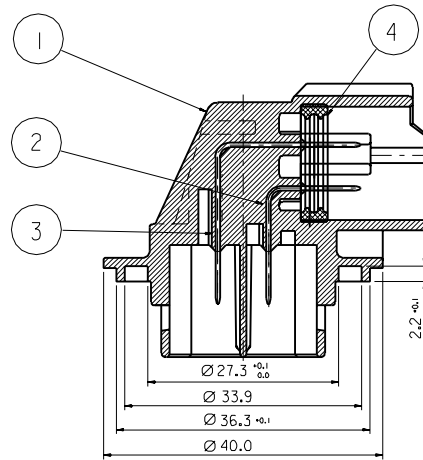
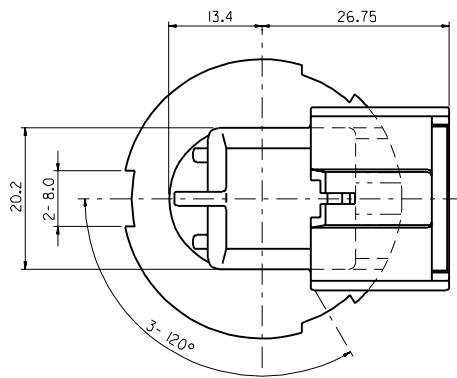
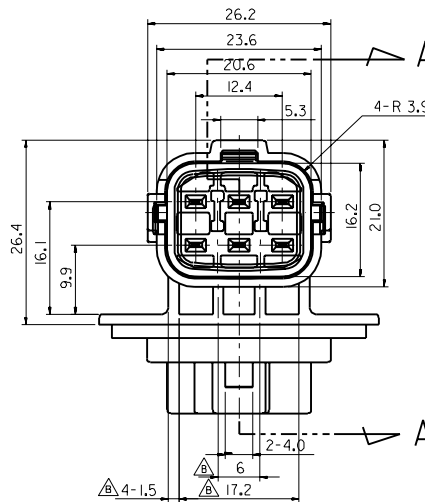
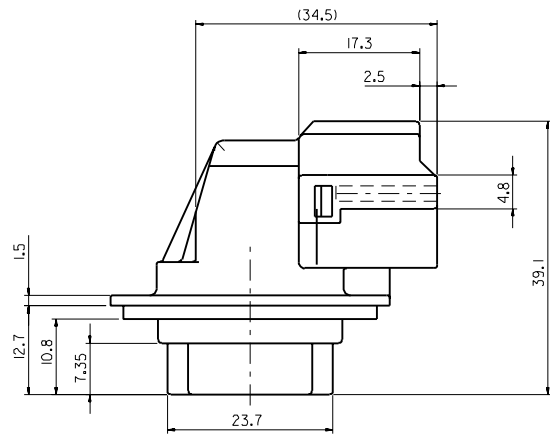


DWG. NO. SD-35365-007  
 PROJECT NO. 35365-0610  
 SIMILAR ITEM  
 DO NOT SCALE DRAWING DIMENSION IN METRIC



SECTION A-A



NOTES

1. MUST BE FREE OF FLASH, SINK AND IMPERFECTIONS THAT AFFECT FUNCTION.
2. THE DRAFT SHALL BE WITHIN TOLERANCE.
3. IN AREAS MARKED FOR FINISHING THE DIE SHALL HAVE FLAT SURFACE.
4. SEALING PARTS SHALL NOT LEAK MORE THAN 0.5kgf/cm<sup>2</sup> PRESSURE APPLIED.

NO	PART NAME	ENG. NO.	Q'TY	MATERIAL /FINISH
1	6P MALE HEADER ASS'Y	35365-0690	1	POLYESTR(PBT),BLK UL94HB
2	MALE TERMINAL(S)	35678-1702	3	BRASS,TIN PLATING
3	MALE TERMINAL(L)	35678-2302	3	BRASS,TIN PLATING
4	INNER SEAL	35903-0016	1	SILICONE-BROWN

REVISIONS EC NO. KOR2004-0064 DRWG. S.M.KIM 03/09/29 CHK. B.C.YOON 03/09/29 APPR. C.W.LEE	QUALITY SYMBOLS MAJOR $\nabla$ 0 CRITICAL $\nabla$ 0	GENERAL TOLERANCES (UNLESS SPECIFIED) <table border="1"> <tr> <th></th> <th>mm</th> <th>INCH</th> </tr> <tr> <td>4 PLACES</td> <td><math>\pm 0.</math></td> <td><math>\pm .</math></td> </tr> <tr> <td>3 PLACES</td> <td><math>\pm 0.</math></td> <td><math>\pm .</math></td> </tr> <tr> <td>2 PLACES</td> <td><math>\pm 0.15</math></td> <td><math>\pm .</math></td> </tr> <tr> <td>1 PLACE</td> <td><math>\pm 0.25</math></td> <td><math>\pm .</math></td> </tr> </table>		mm	INCH	4 PLACES	$\pm 0.$	$\pm .$	3 PLACES	$\pm 0.$	$\pm .$	2 PLACES	$\pm 0.15$	$\pm .$	1 PLACE	$\pm 0.25$	$\pm .$	SCALE 2:1 DESIGN UNITS $\square$ mm $\square$ INCH DRAWN BY & DATE Y.SIK,KIM 98/04/12 CHECKED BY & DATE B.K.CHOI 98/04/13 APPROVED BY & DATE C.W.LEE 98/04/13	DIMENSIONS: <input type="checkbox"/> mm <input type="checkbox"/> INCH <input checked="" type="checkbox"/> mm <input checked="" type="checkbox"/> INCH ONLY SHT 1 OF 1 REV REVISIONS ON CAD ONLY
		mm	INCH																
4 PLACES	$\pm 0.$	$\pm .$																	
3 PLACES	$\pm 0.$	$\pm .$																	
2 PLACES	$\pm 0.15$	$\pm .$																	
1 PLACE	$\pm 0.25$	$\pm .$																	
CAD FILENAME sd35365.dgn MATERIAL NO. 35365-0610 DRAWING NO. SD-35365-007 SHEET NO. 1 OF 1	TITLE: FUEL PUMP FLANGE-6P HEADER ASS'Y MOLEX INCORPORATED		THIS DRAWING CONTAINS INFORMATION THAT IS PROPRIETARY TO MOLEX INCORPORATED AND SHOULD NOT BE USED WITHOUT WRITTEN PERMISSION.																

