

63495-1 ✓ ACTIVE



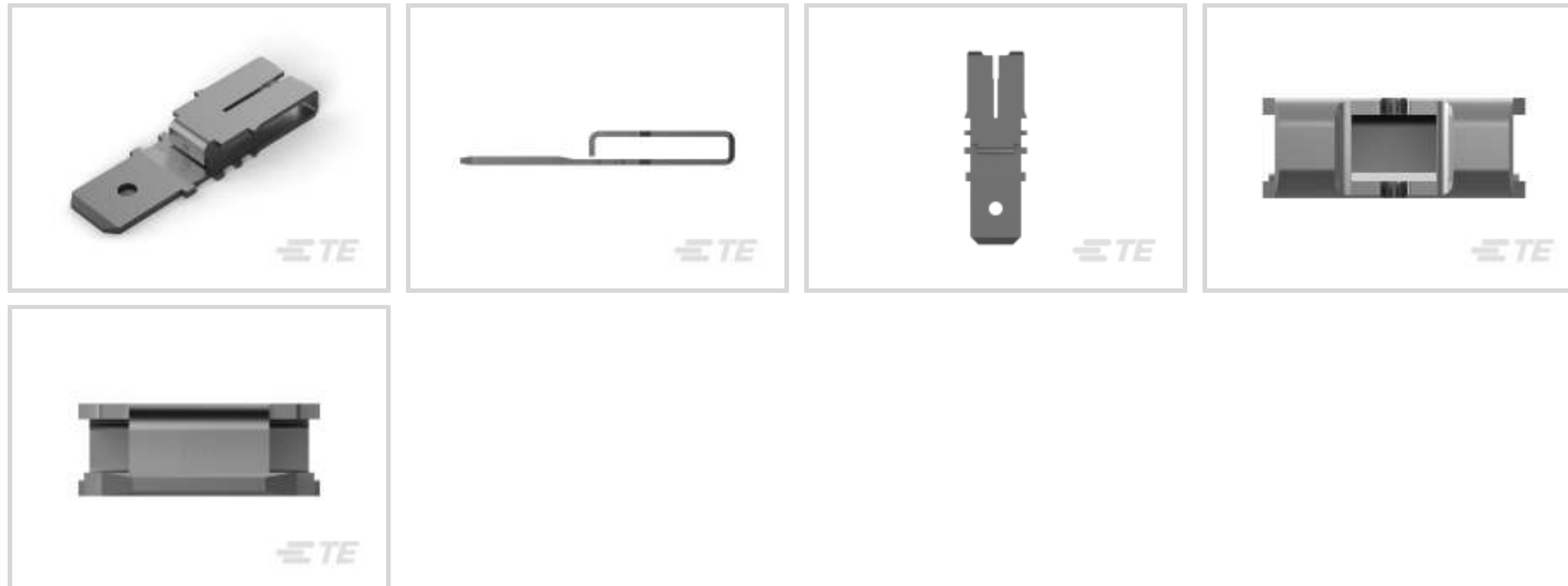
MAG-MATE

TE Internal #: 63495-1

Magnet Wire Terminals, Tab, Mating Tab Width .25 in [6.35 mm],
Size 4, .72 – .91 mm Aluminum Wire, .64 – .81 mm Magnet Wire,
MAG-MATE

[View on TE.com >](#)

Terminals & Splices > Magnet Wire Terminals



Magnet Wire Terminal Type: **Tab**

Mating Tab Width: **6.35 mm [.25 in]**

Mating Tab Thickness: **.8 mm [.032 in]**

Compatible With Cavity Size: **Size 4**

Aluminum Wire Size: **.72 – .91 mm**

Features

Product Type Features

Compatible With Discrete Wire Type

Magnet Wire, Solid

Body Features

Compatible With Cavity Size

Size 4

Contact Features

Magnet Wire Terminal Type

Tab

Mating Tab Width

6.35 mm [.25 in]

Mating Tab Thickness

.8 mm [.032 in]

Terminal Plating Material

Tin

Terminal Orientation

Straight

Termination Features

Termination Method to Wire & Cable

Insulation Displacement (IDC)

Mechanical Attachment

Mating Retention Type

Hole

Dimensions

Terminal Height	12.83 mm[.505 in]
Aluminum Wire Size	.72 – .91 mm
Magnet Wire Size	.64 – .81 mm
Stock Thickness (Magnet Wire Side)	.51 mm[.02 in]
Product Length	24.18 mm[.952 in]

Usage Conditions

Insulation Option	Uninsulated
Operating Temperature Range	-65 – 150 °C[-85 – 302 °F]

Operation/Application

Compatible With Wire Base Material	Aluminum, Copper
------------------------------------	------------------

Identification Marking

Identification Number	18
-----------------------	----

Packaging Features

Packaging Quantity	5000
Packaging Method	Reel, Reel/Carton

Other

Terminals & Splices Comment	After insertion into plastic cavity, tab portion can not be bent over. The body is potted in only., Two magnet wires may be terminated in the same terminal slot if diameters are equal., Varnish resist coating.
-----------------------------	---

Product Compliance

[For compliance documentation, visit the product page on TE.com>](#)

EU RoHS Directive 2011/65/EU	Compliant
EU ELV Directive 2000/53/EC	Compliant
China RoHS 2 Directive MIIT Order No 32, 2016	No Restricted Materials Above Threshold
EU REACH Regulation (EC) No. 1907/2006	Current ECHA Candidate List: JUNE 2023 (235) Candidate List Declared Against: JAN 2023 (233) Does not contain REACH SVHC
Halogen Content	Low Halogen - Br, Cl, F, I < 900 ppm per homogenous material. Also BFR/CFR/PVC Free

Solder Process Capability

Not applicable for solder process capability

Product Compliance Disclaimer

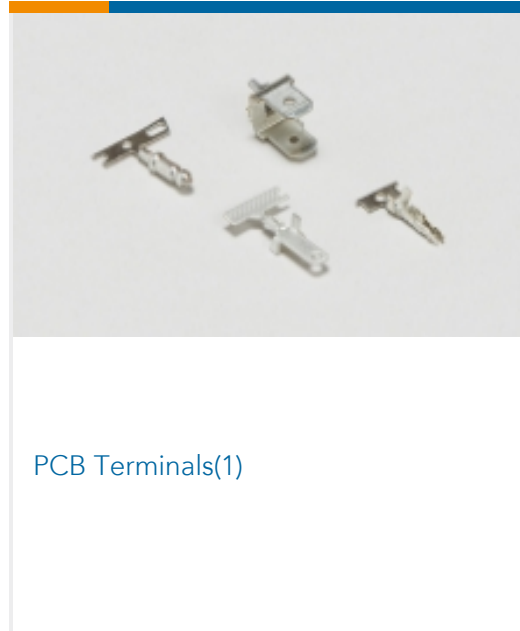
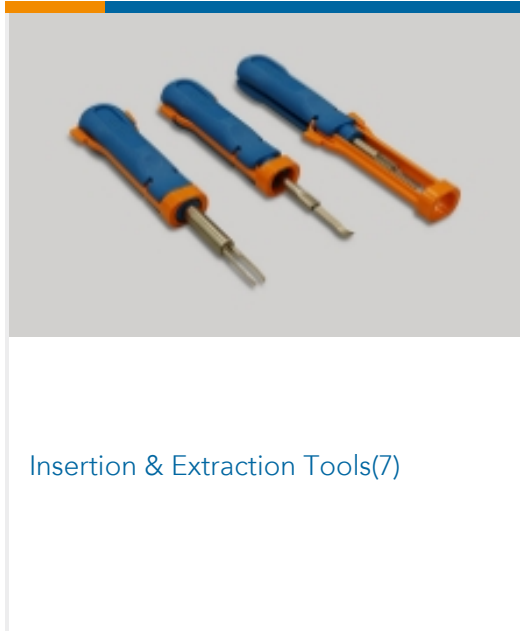
This information is provided based on reasonable inquiry of our suppliers and represents our current actual knowledge based on the information they provided. This information is subject to change. The part numbers that TE has identified as EU RoHS compliant have a maximum concentration of 0.1% by weight in homogenous materials for lead, hexavalent chromium, mercury, PBB, PBDE, DBP, BBP, DEHP, DIBP, and 0.01% for cadmium, or qualify for an exemption to these limits as defined in the Annexes of Directive 2011/65/EU (RoHS2). Finished electrical and electronic equipment products will be CE marked as required by Directive 2011/65/EU. Components may not be CE marked. Additionally, the part numbers that TE has identified as EU ELV compliant have a maximum concentration of 0.1% by weight in homogenous materials for lead, hexavalent chromium, and mercury, and 0.01% for cadmium, or qualify for an exemption to these limits as defined in the Annexes of Directive 2000/53/EC (ELV). Regarding the REACH Regulation, the information TE provides on SVHC in articles for this part number is based on the latest European Chemicals Agency (ECHA) 'Guidance on requirements for substances in articles' posted at this URL: <https://echa.europa.eu/guidance-documents/guidance-on-reach>

Compatible Parts

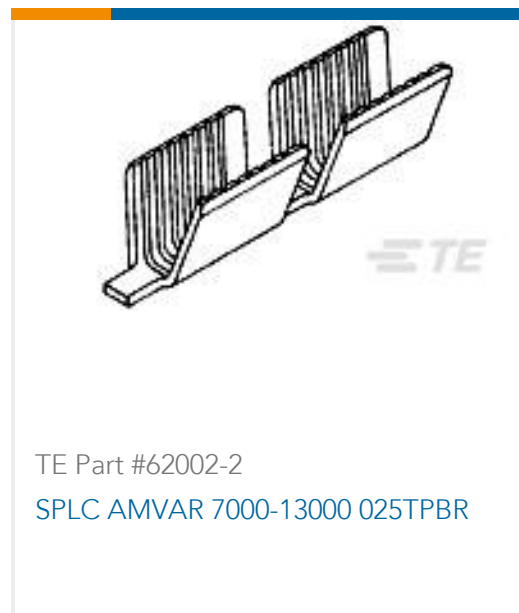
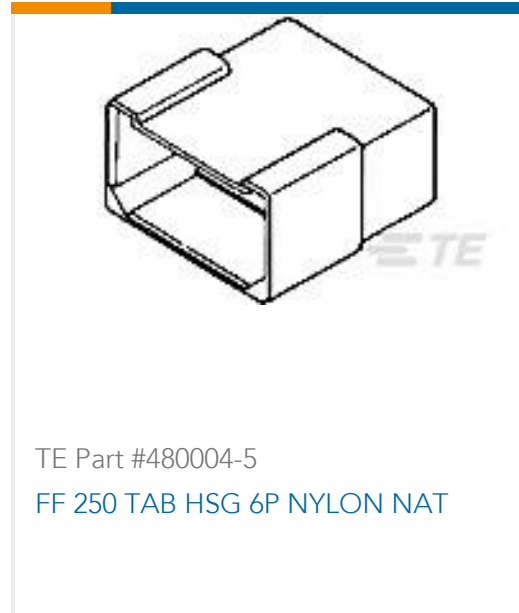
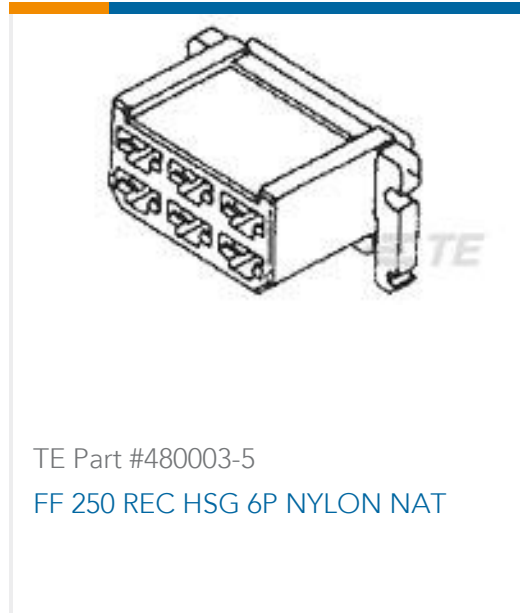
 <p>TE Part # 63598-1 MAG-MATE 250 F-TAB TPBR</p>	 <p>TE Part # 63881-1 MAG-MATE 250 F. TAB TPBR</p>	 <p>TE Part # 63816-1 TAB, MAG-MATE 250F TPBR</p>	 <p>TE Part # 63459-3 MAG-MATE 250 F-TAB 15-16 TPBR</p>
 <p>TE Part # 63459-2 MAG-MATE 250 F-TAB 15-16 TPBR</p>	 <p>TE Part # 63882-1 MAG-MATE 250 F-TAB TPBR</p>	 <p>TE Part # 63064-1 MAG-MATE 250 F TAB 032 TPBR</p>	 <p>TE Part # 63464-3 MAG-MATE 250 F-TAB TPBR</p>
 <p>TE Part # 63155-1 MAG-MATE 250 F TAB 032 TPBR</p>	 <p>TE Part # 63277-1 MAG-MATE 090 PIN 22-20 016TPBR</p>	 <p>TE Part # 63371-1 MAG-MATE 250 F TAB TPBR</p>	 <p>TE Part # 63425-1 MAG MATE 250F TAB #12 TPBR.</p>



Also in the Series | **MAG-MATE**



Customers Also Bought





Documents

Product Drawings

MAG-MATE 250 F-TAB TPBR

English

CAD Files

3D PDF

3D

Customer View Model

[ENG_CVM_CVM_63495-1_R_c-63495-1-r.2d_dxf.zip](#)

English

Customer View Model

[ENG_CVM_CVM_63495-1_R_c-63495-1-r.3d_igs.zip](#)

English

Customer View Model

[ENG_CVM_CVM_63495-1_R_c-63495-1-r.3d_stp.zip](#)

English

By downloading the CAD file I accept and agree to the [Terms and Conditions](#) of use.

Datasheets & Catalog Pages

Magnet Wire Terminals & Splices

English

Product Specifications

Application Specification

English

Product Environmental Compliance

Product Compliance Document

English

Product Compliance Document

English