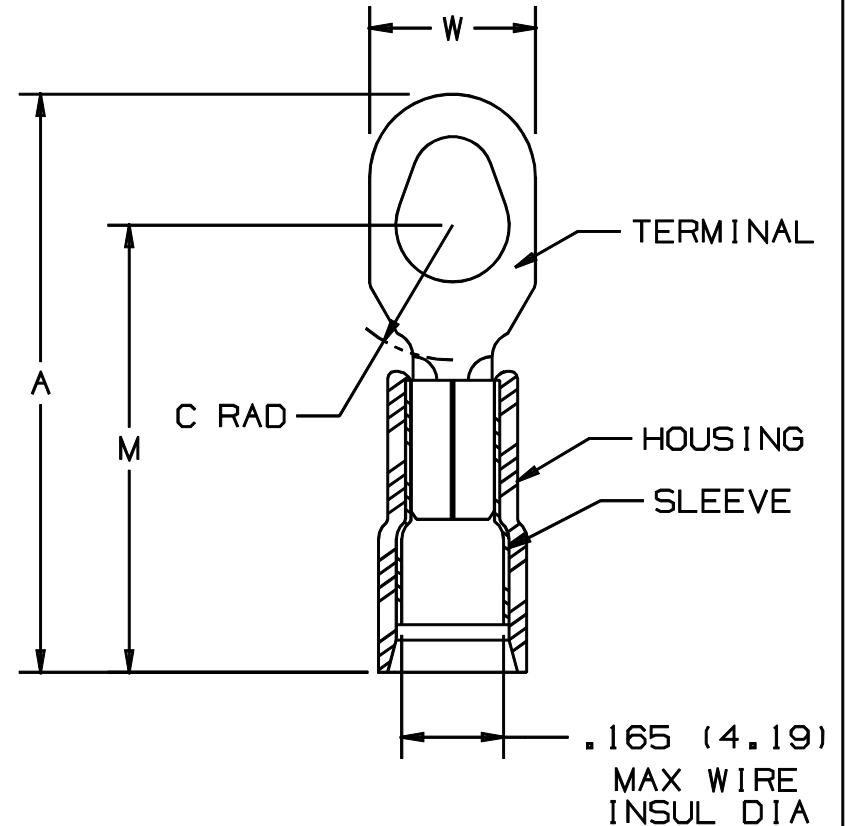


THIS COPY IS PROVIDED ON A RESTRICTED BASIS AND IS NOT TO BE USED IN ANY WAY DETRIMENTAL TO THE INTERESTS OF PANDUIT CORP.

PANDUIT PART NUMBER		STUD SIZE	DIMENSIONS in.			
PREFIX	PK		A $\pm .020$ (.51)	W $\pm .010$ (.25)	C $\pm .015$ (.38)	M $\pm .020$ (.51)
PN14-610R	-C -M	#6, #8, #10	.95 (24.1)	.31 (7.9)	.25 (6.3)	.70 (17.8)



NOTES:

- UL LISTED AND CSA CERTIFIED FOR:
  - 600 V MAX VOLTAGE RATING
  - 221°F (105°C) MAX TEMP RATING
  - #16-14 AWG SOLID OR STRANDED, COPPER WIRE
- PACKAGE QUANTITY:
  - STD: C=100
  - BULK: M=1000
- MATERIAL:
  - STAMPING: .032 (.81) THK COPPER, TIN PLATED
  - HOUSING: BLUE NYLON
  - SLEEVE: BRASS, TIN PLATED
- WIRE STRIP LENGTH:  $7/32 \begin{smallmatrix} +1/32 \\ -0 \end{smallmatrix}$  (5.6  $\begin{smallmatrix} +.8 \\ -0 \end{smallmatrix}$ )
- DIMENSIONS IN BRACKETS ARE IN MILLIMETERS
- INSTALLATION TOOLS:
  - UL LISTED AND CSA CERTIFIED WITH: CT-100, CT-400\*, CT-460\*, CT-500\*, CT-550\*
  - PANDUIT APPROVED: CT-160, CT-260

\* APPROVED FOR EXPANDED WIRE RANGE #18-14 AWG



LISTED  
587H



CERTIFIED

A41476\_02

02	1/01	RM		FILESPEC WAS NPC_A41476_01						<p>TINLEY PARK, ILLINOIS</p> <p>#16-14 BARREL, NYLON INSULATED MULTI-STUD TERMINAL</p>		
01	2/92	BK		UPDATED AGENCY APPROVAL STATUS				00846				
00	4/91	DL	DL	RELEASED ECN # 00460		LA	KS					
REV	DATE	BY	CHK	DESCRIPTION	QA	CUST	PM	ECN#	DRAWN BY DRL	CHK'D FES	SCALE NONE	DRAWING NO. A41476