



American Opto Plus LED Corp.

L955T-NWC-Z

3.5 x 2.8 x 0.7mm White PLCC-2

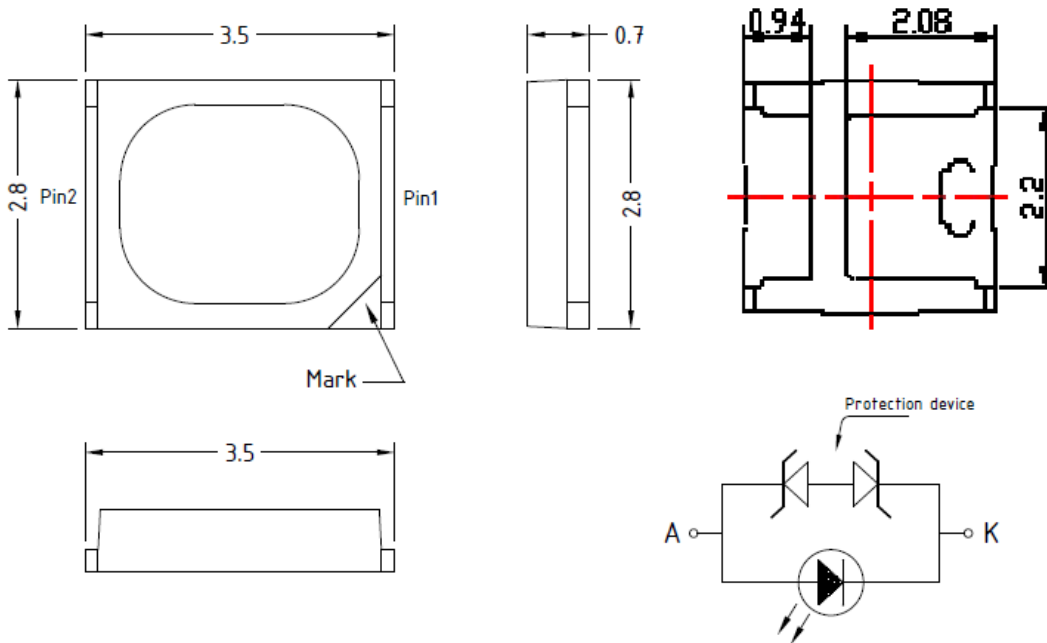
MAIN FEATURES:

- Low current requirement
- Wide viewing angle
- IR Reflow Soldering
- I.C. compatible

FEATURES:

- High Luminous Output Cool White SMD LED Lamp (InGaN)
- PLCC-2 3.5 x 2.8mm standard package with heat sink and protection device
- High reliability package
- Wide viewing angle 120 degree
- Available in 8mm carrier tape on 7 inch reel (2000 pieces)

PACKAGE OUTLINES:



Item	Materials
Package	Heat-Resistant Polymer
Encapsulating Resin	Silicone
Electrodes	Ag Plating Copper Alloy

NOTES:

1. All dimensions are in millimeters (inches);
2. Electrical Connection between all Cathodes is Recommended



American Opto Plus LED Corp.

L955T-NWC-Z

3.5 x 2.8 x 0.7mm White PLCC-2

MAIN FEATURES:

- Low current requirement
- Wide viewing angle
- IR Reflow Soldering
- I.C. compatible

ABSOLUTE MAXIMUM RATINGS

(Ta=25°C)

Item	Symbol	Max Rating	Unit
DC Forward Current	I_F	150	mA
Peak Pulsed Forward Current	I_{FP}	200	mA
Reverse Voltage	V_R	-----	V
Junction Temperature	T_j	125	°C
Junction /Solder Point	$R_{th J_s}$	70	°C/W
Junction / Ambient	$R_{th J_a}$	83	°C/W
Power Dissipation	P_d	540	mW
Operating Temperature Range	T_{OPR}	-30 ~ +100	°C
Storage Temperature	T_{STG}	-40 ~ +100	°C
Solder Temperature	T_{SOL}	265°C for 10 sec	

IFP Conditions: Pulse Width ≤ 10msec and Duty ≤ 1/10

$R_{th J_a}$ Results from mounting on PC Board FR4 (PCB size 16*10mm)

OPTICAL-ELECTRICAL CHARACTERISTICS

(Ta=25°C)

Parameter	Symbol	Test Condition	Min	Typ	Max	Unit
Forward Voltage	V_F	$I_F = 100mA$	-	3.2	3.6	V
Luminous Flux	Φ_V	$I_F = 100mA$	24	30	--	lm
Chromaticity Coordinate	X	$I_F = 100mA$	--	0.31	--	--
Chromaticity Coordinate	Y	$I_F = 100mA$	--	0.32	--	--

Notes: Luminous intensity tolerance is ±10%



American Opto Plus LED Corp.

L955T-NWC-Z

3.5 x 2.8 x 0.7mm White PLCC-2

MAIN FEATURES:

- Low current requirement
- Wide viewing angle
- IR Reflow Soldering
- I.C. compatible

LUMINOUS INTENSITY BIN TABLE

IF=100mA

Rank Name	Min (lm)	Max (lm)
1	24	27
2	27	30
3	30	33
4	33	36
5	36	39
6	39	42

Tolerance for each bin is $\pm 10\%$

VOLTAGE BIN TABLE

Rank Name	Min (V)	Max (V)
A	2.9	3.0
B	3.0	3.1
C	3.1	3.2
D	3.2	3.3
E	3.3	3.4
F	3.4	3.5
G	3.5	3.6

Tolerance for each bin is $\pm 0.5V$



American Opto Plus LED Corp.

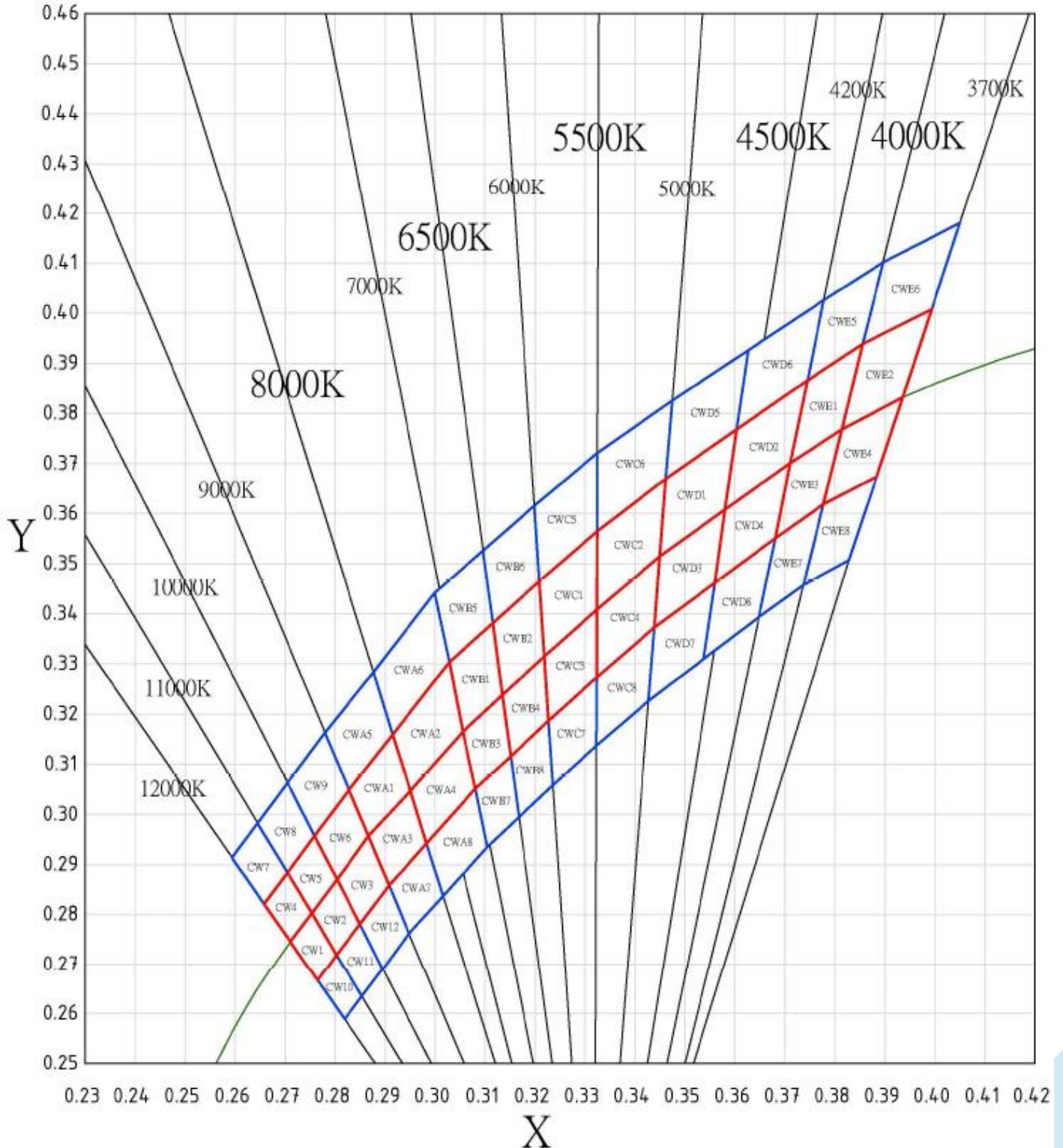
L955T-NWC-Z

3.5 x 2.8 x 0.7mm White PLCC-2

MAIN FEATURES:

- Low current requirement
- Wide viewing angle
- IR Reflow Soldering
- I.C. compatible

CHROMATICITY DIAGRAM





American Opto Plus LED Corp.

L955T-NWC-Z

3.5 x 2.8 x 0.7mm White PLCC-2

MAIN FEATURES:

- Low current requirement
- Wide viewing angle
- IR Reflow Soldering
- I.C. compatible

COLOR RANKS

CW 1					CW 2				
x	0.27650	0.27110	0.27540	0.28030	x	0.28030	0.27540	0.28040	0.28500
y	0.26670	0.27460	0.28030	0.27190	y	0.27190	0.28030	0.28700	0.27810
CW 3					CW 4				
x	0.28500	0.28040	0.28670	0.29080	x	0.27110	0.26580	0.27050	0.27540
y	0.27810	0.28700	0.29570	0.28590	y	0.27460	0.28210	0.28840	0.28030
CW 5					CW 6				
x	0.27540	0.27050	0.27590	0.28040	x	0.28040	0.27590	0.28280	0.28670
y	0.28030	0.28840	0.29570	0.28700	y	0.28700	0.29570	0.30490	0.29570
CW 7					CW 8				
x	0.26580	0.25940	0.26450	0.27050	x	0.27050	0.26450	0.27050	0.27590
y	0.28210	0.29140	0.29820	0.28840	y	0.28840	0.29820	0.30630	0.29570
CW 9					CW 10				
x	0.27590	0.27050	0.27800	0.28280	x	0.28190	0.27650	0.28030	0.28540
y	0.29570	0.30630	0.31630	0.30490	y	0.25890	0.26670	0.27190	0.26350
CW 11					CW 12				
x	0.28540	0.28030	0.28500	0.28950	x	0.28950	0.28500	0.29080	0.29480
y	0.26350	0.27190	0.27810	0.26900	y	0.26900	0.27810	0.28590	0.27620
CWA1					CWA2				
x	0.28670	0.28280	0.29150	0.29510	x	0.29510	0.29150	0.30290	0.30570
y	0.29570	0.30490	0.31590	0.30470	y	0.30470	0.31590	0.33040	0.31660
CWA3					CWA4				
x	0.29080	0.28670	0.29510	0.29830	x	0.29830	0.29510	0.30560	0.30810
y	0.28590	0.29570	0.30470	0.29420	y	0.29420	0.30470	0.31650	0.30510
CWA5					CWA6				
x	0.28280	0.27800	0.28770	0.29150	x	0.29150	0.28770	0.29990	0.30290
y	0.30490	0.31630	0.32840	0.31590	y	0.31590	0.32840	0.34420	0.33040
CWA7					CWA8				
x	0.29480	0.29080	0.29830	0.30160	x	0.30160	0.29830	0.30810	0.31050
y	0.27620	0.28590	0.29420	0.28370	y	0.28370	0.29420	0.30510	0.29350
CWB1					CWB2				
x	0.30560	0.30290	0.31160	0.31350	x	0.31350	0.31160	0.32090	0.32190
y	0.31650	0.33040	0.33820	0.32380	y	0.32380	0.33820	0.34650	0.33150



American Opto Plus LED Corp.

L955T-NWC-Z

3.5 x 2.8 x 0.7mm White PLCC-2

MAIN FEATURES:

- Low current requirement
- Wide viewing angle
- IR Reflow Soldering
- I.C. compatible

CWB3					CWB4				
x	0.30810	0.30570	0.31350	0.31520	x	0.31520	0.31350	0.32190	0.32270
y	0.30510	0.31660	0.32380	0.31160	y	0.31160	0.32380	0.33150	0.31870
CWB5					CWB6				
x	0.30290	0.29990	0.30960	0.31160	x	0.31160	0.30960	0.31990	0.32090
y	0.33040	0.34420	0.35260	0.33820	y	0.33820	0.35260	0.36160	0.34650
CWB7					CWB8				
x	0.31050	0.30810	0.31520	0.31680	x	0.31680	0.31520	0.32270	0.32360
y	0.29350	0.30510	0.31160	0.29950	y	0.29950	0.31160	0.31870	0.30580
CWC1					CWC2				
x	0.32190	0.32090	0.33250	0.33240	x	0.33240	0.33250	0.34620	0.34500
y	0.33150	0.34650	0.35650	0.34090	y	0.34090	0.35650	0.36700	0.35150
CWC3					CWC4				
x	0.32270	0.32190	0.33240	0.33240	x	0.33240	0.33240	0.34500	0.34390
y	0.31870	0.33150	0.34090	0.32740	y	0.32740	0.34090	0.35150	0.33730
CWC5					CWC6				
x	0.32090	0.31990	0.33250	0.33250	x	0.33250	0.33250	0.34750	0.34620
y	0.34650	0.36160	0.37210	0.35650	y	0.35650	0.37210	0.38260	0.36700
CWC7					CWC8				
x	0.32360	0.32270	0.33240	0.33230	x	0.33230	0.33240	0.34390	0.34270
y	0.30580	0.31870	0.32740	0.31370	y	0.31370	0.32740	0.33730	0.32260
CWD1					CWD2				
x	0.34500	0.34620	0.36035	0.35805	x	0.35805	0.36035	0.37450	0.37110
y	0.35150	0.36700	0.37680	0.36080	y	0.36080	0.37680	0.38660	0.37010
CWD3					CWD4				
x	0.34390	0.34500	0.35805	0.35600	x	0.35600	0.35805	0.37110	0.36810
y	0.33730	0.35150	0.36080	0.34620	y	0.34620	0.36080	0.37010	0.35510
CWD5					CWD6				
x	0.34620	0.34750	0.36265	0.36035	x	0.36035	0.36265	0.37780	0.37450
y	0.36700	0.38260	0.39260	0.37680	y	0.37680	0.39260	0.40260	0.38660
CWD7					CWD8				
x	0.34270	0.34390	0.35600	0.35375	x	0.35375	0.35600	0.36810	0.36480
y	0.32260	0.33730	0.34620	0.33100	y	0.33100	0.34620	0.35510	0.33940



American Opto Plus LED Corp.

L955T-NWC-Z

3.5 x 2.8 x 0.7mm White PLCC-2

MAIN FEATURES:

- Low current requirement
- Wide viewing angle
- IR Reflow Soldering
- I.C. compatible

CWE1					CWE2				
x	0.37110	0.37450	0.38560	0.38140	x	0.38140	0.38560	0.39940	0.39360
y	0.37010	0.38660	0.39390	0.37680	y	0.37680	0.39390	0.40080	0.38320
CWE3					CWE4				
x	0.36810	0.37110	0.38140	0.37770	x	0.37770	0.38140	0.39360	0.38840
y	0.35510	0.37010	0.37680	0.36190	y	0.36190	0.37680	0.38320	0.36740
CWE5					CWE6				
x	0.37450	0.37780	0.38970	0.38560	x	0.38560	0.38970	0.40500	0.39940
y	0.38660	0.40260	0.41020	0.39390	y	0.39390	0.41020	0.41800	0.40080
CWE7					CWE8				
x	0.36480	0.36810	0.37770	0.37370	x	0.37370	0.37770	0.38840	0.38280
y	0.33940	0.35510	0.36190	0.34580	y	0.34580	0.36190	0.36740	0.35070

Note:

1. One delivery will include several color ranks and I_v ranks of products.
The quantity-ratio of the different rank is decided by AOP.
2. Bin Name typed on the Label: Color Rank + IV RANK + VF RANK
For Example, **BIN CWC1-2A Means Color Bin:CWC1, and Flux: 27~30 lm , VF: 2.9~3.0V.**
3. Color Coordinates Measurement Allowance is ± 0.01
4. Static Electricity or Surge Voltage damages the LEDs.
It is recommended to use a wrist band or Anti-Electrostatic glove when handling the LEDs.
5. AOP has the right to update the information without notice.

Please double confirm the Spec details before placing an order.



American Opto Plus LED Corp.

L955T-NWC-Z

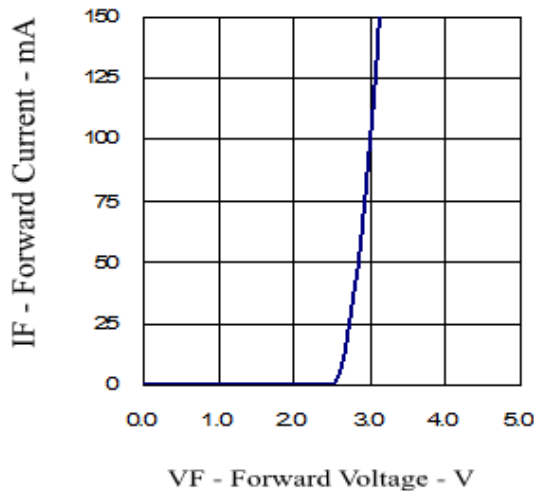
3.5 x 2.8 x 0.7mm White PLCC-2

MAIN FEATURES:

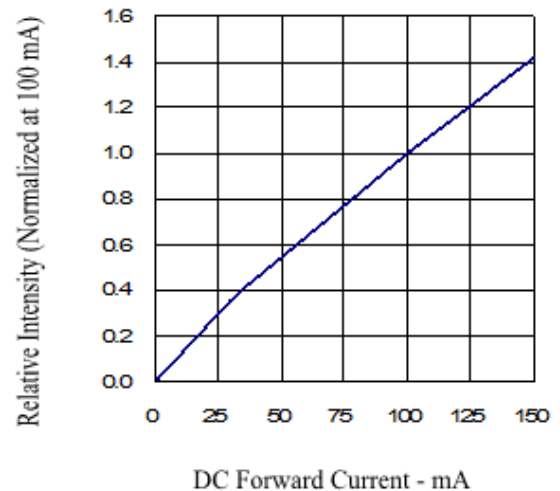
- Low current requirement
- Wide viewing angle
- IR Reflow Soldering
- I.C. compatible

OPTICAL CHARACTERISTIC CURVES

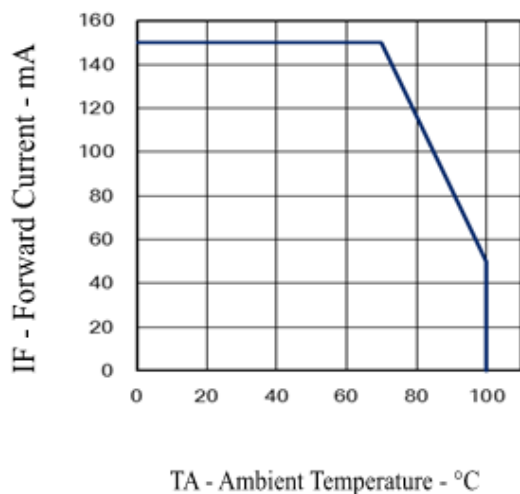
Forward Current vs. Forward Voltage



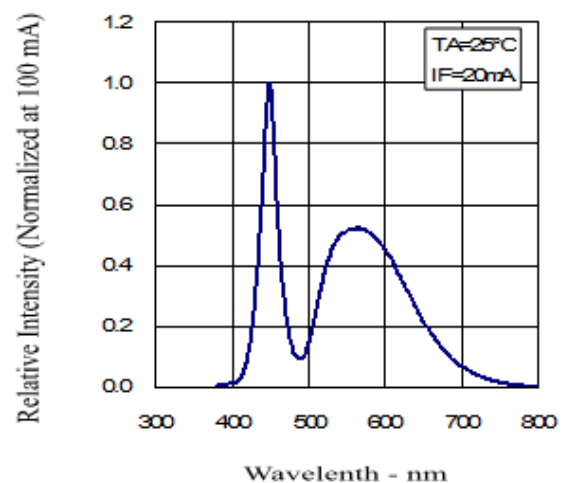
Relative Intensity vs. Forward Current



Forward Current vs. Ambient Temperature



Relative Intensity vs. Wavelength





American Opto Plus LED Corp.

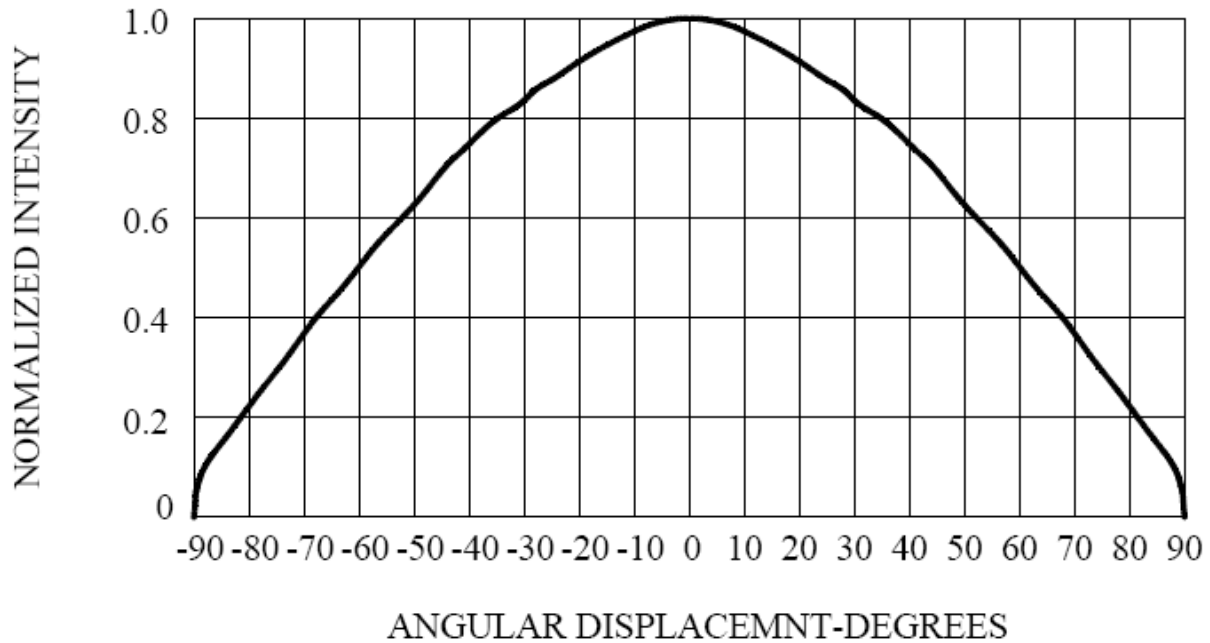
L955T-NWC-Z

3.5 x 2.8 x 0.7mm White PLCC-2

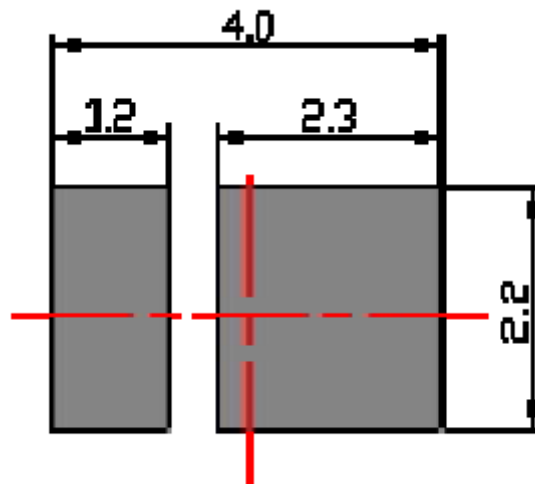
MAIN FEATURES:

- Low current requirement
- Wide viewing angle
- IR Reflow Soldering
- I.C. compatible

RADIATION PATTERN



Recommended Soldering Pad Pattern





American Opto Plus LED Corp.

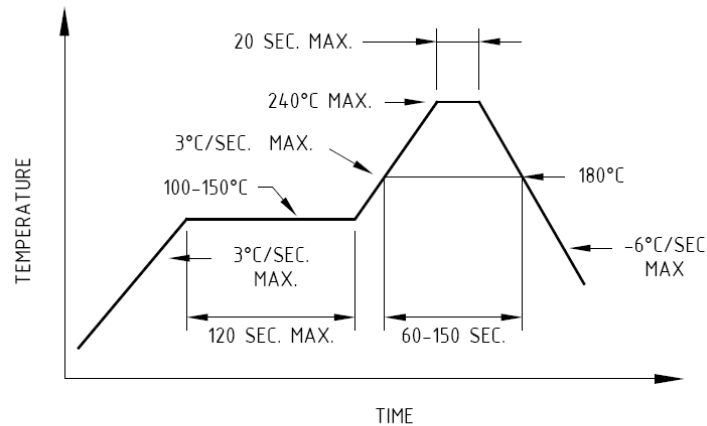
L955T-NWC-Z

3.5 x 2.8 x 0.7mm White PLCC-2

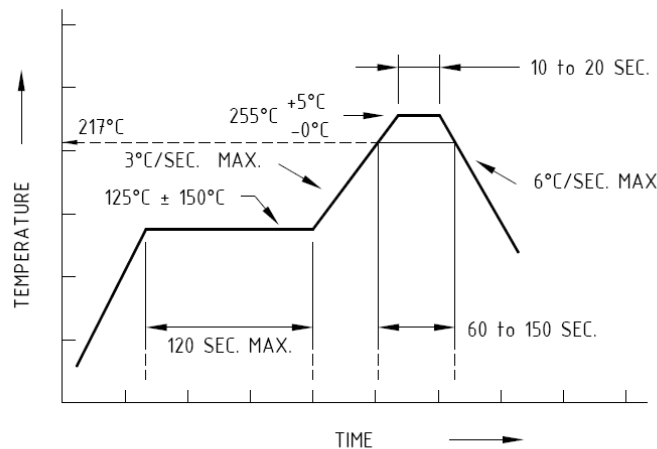
MAIN FEATURES:

- Low current requirement
- Wide viewing angle
- IR Reflow Soldering
- I.C. compatible

SOLDERING CONDITIONS:



Recommended reflow soldering profile



Recommended Pb-free reflow soldering profile

- Repairing should not be done after the LEDs have been soldered. When repairing is unavoidable, a double-head soldering iron should be used. It should be confirmed beforehand whether the characteristics of the LEDs will or will not be damaged by repairing.
- Reflow soldering should not be done more than two times.
- When soldering, do not put stress on the LEDs during heating.
- After soldering, do not warp the circuit board.



American Opto Plus LED Corp.

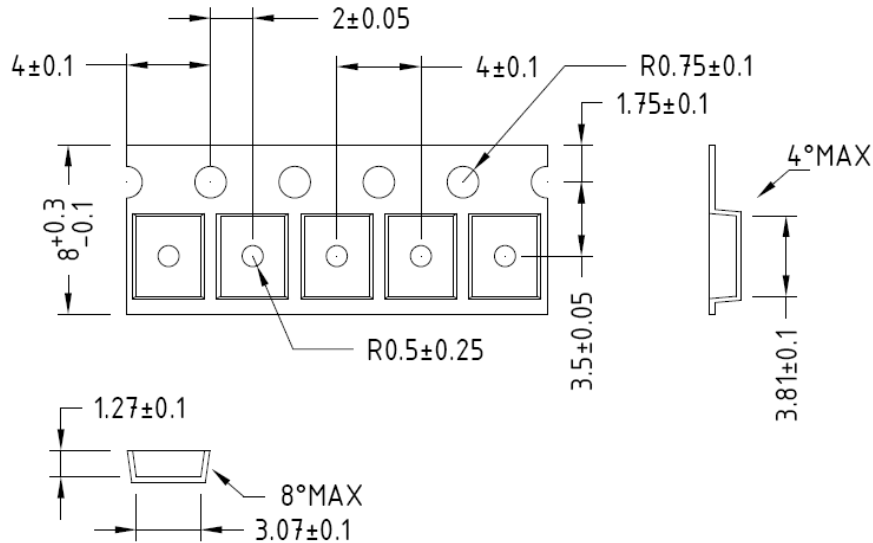
L955T-NWC-Z

3.5 x 2.8 x 0.7mm White PLCC-2

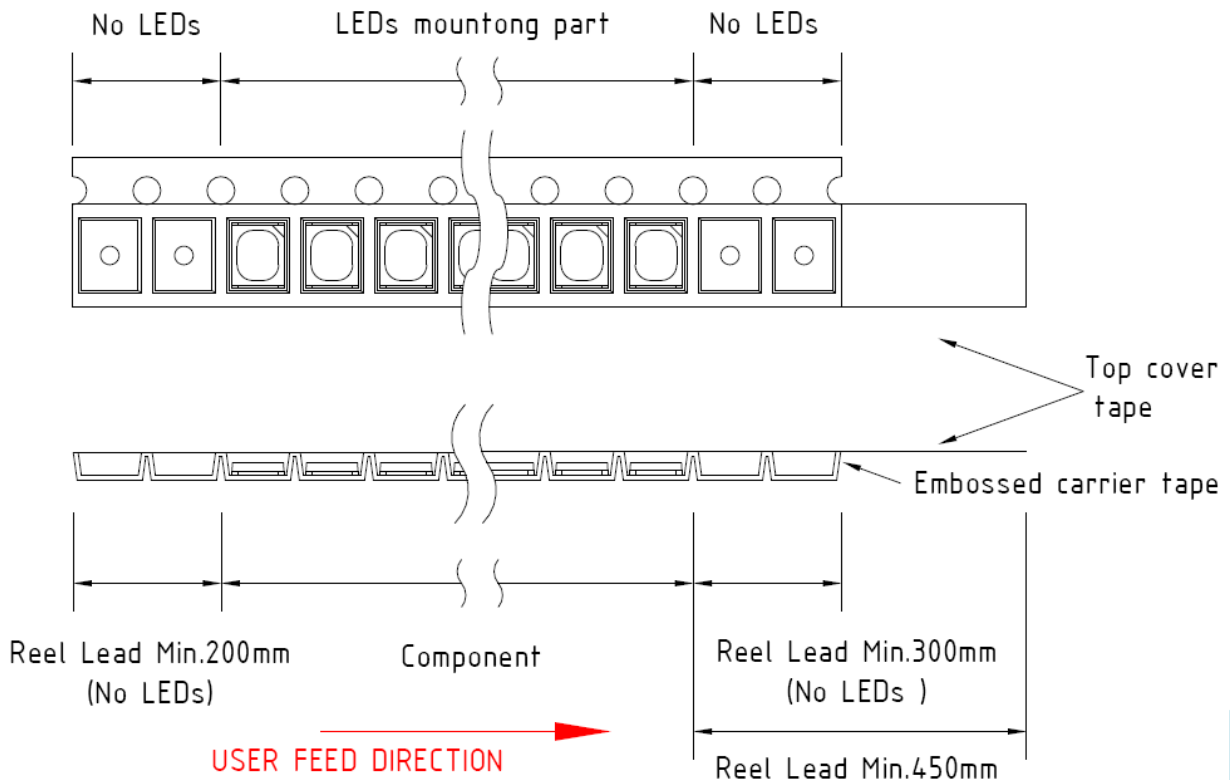
MAIN FEATURES:

- Low current requirement
- Wide viewing angle
- IR Reflow Soldering
- I.C. compatible

TAPE DIMENSIONS



TAPE LEADER AND TRAILER DIMENSION





American Opto Plus LED Corp.

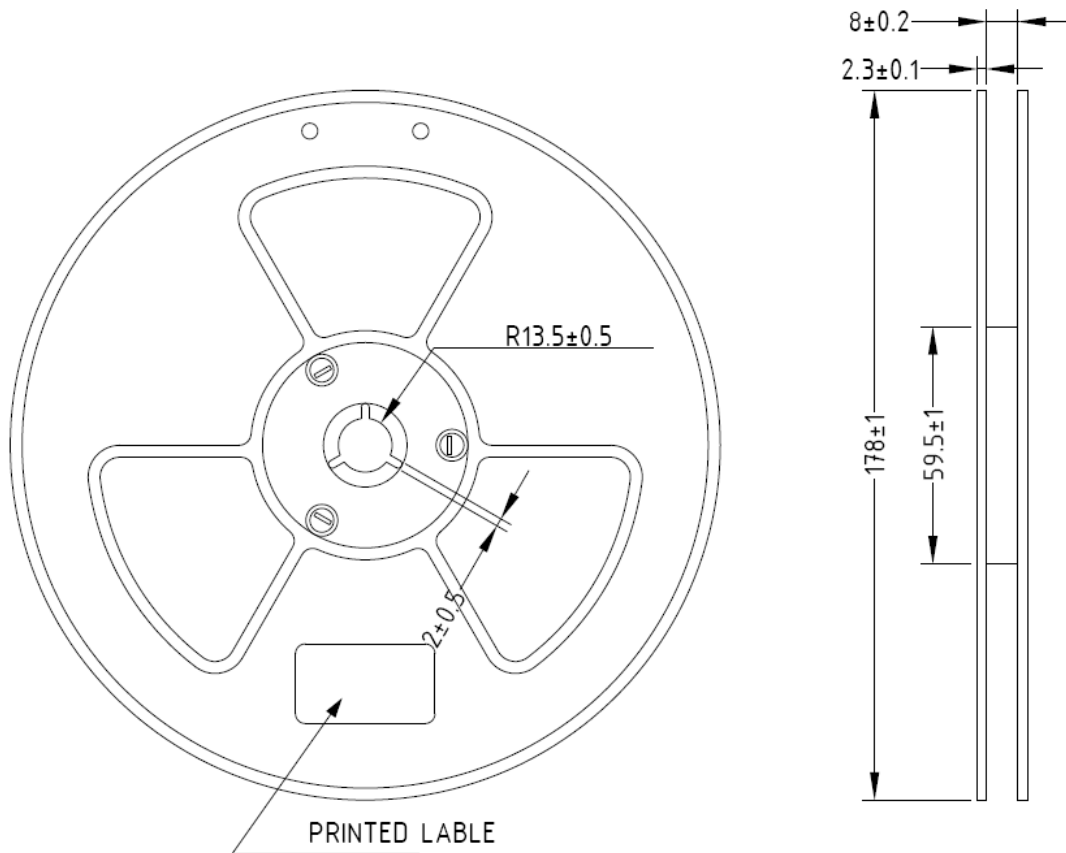
L955T-NWC-Z

3.5 x 2.8 x 0.7mm White PLCC-2

MAIN FEATURES:

- Low current requirement
- Wide viewing angle
- IR Reflow Soldering
- I.C. compatible

REEL DIMENSION



Note: Baking is required under the following conditions:

The pack has been open for more than four weeks.

Baking recommended conditions.

60 ± 5 °C for 20 hours.