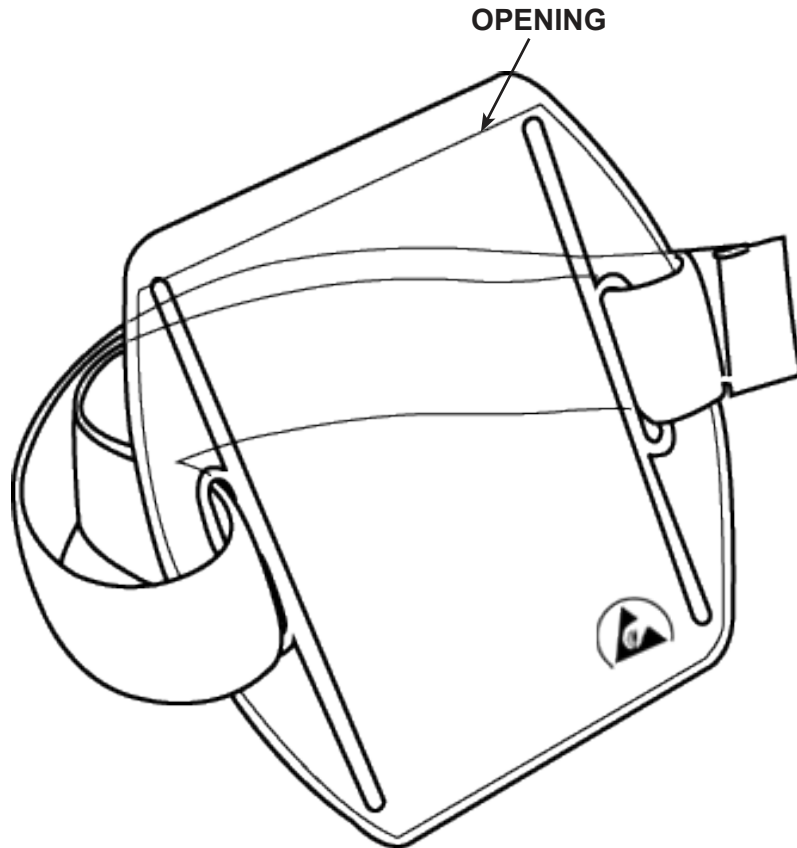




Made in the United States of America



Features:

- ESD Arm Band Badge Holder is ideal for use by electronic manufacturers working with ESD sensitive components
- Perfect for active personnel if standard badges fall off their clothing
- Adjustable black elastic band flexes with arm movement for secure fit
- Material Thickness: 0.036" (0.9 mm) ESD vinyl on the back and 0.012" (0.3 mm) clear firm copy guard ESD vinyl as front inner liner to ensure durability and high-end appearance
 - Material Tolerance (thickness): $\pm 10\%$
- ESD symbol allows people to immediately know the Badge Holder has ESD control properties - low charging antistatic and dissipative
- Made with a custom dissipative material made exclusively for Desco Industries Inc
 - Rtt: 1×10^6 to $< 1 \times 10^{10}$ ohms per ANSI/ESD STM11.11
 - Tribocharging: Less than 100 volts
- 4" x 4-5/16" (Outer Dimension), 2-3/8" x 3-3/8" (Insert Size)
- Made in the United States of America

Item	Description
35193	Clear Arm Band Badge Holder, Black Elastic Band

"It should be understood that any object, item, material or person could be a source of static electricity in the work environment. Removal of unnecessary nonconductors, replacing nonconductive materials with dissipative or conductive materials and grounding all conductors are the principle methods of controlling static electricity in the workplace, regardless of the activity." [ESD Handbook ESD TR20.20 section 2.4 Sources of Static Electricity]

$\pm 1/16"$ tolerances on dimensions unless specified.

Specifications and procedures subject to change without notice.

ARM BAND ESD BADGE HOLDER, 2-3/8" x 3-3/8" INSERT SIZE

3651 WALNUT AVENUE, CHINO, CA 91710
PHONE: (909) 627-2453
WEBSITE: MENDATools.com

DRAWING NUMBER
35193

DATE
September 2021

MENDA