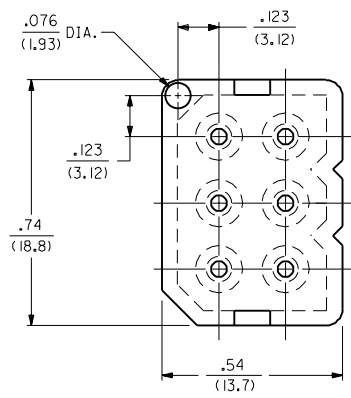


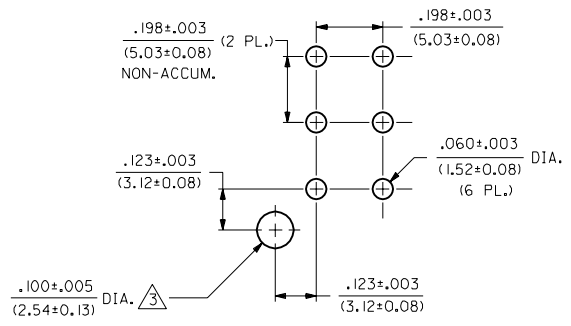
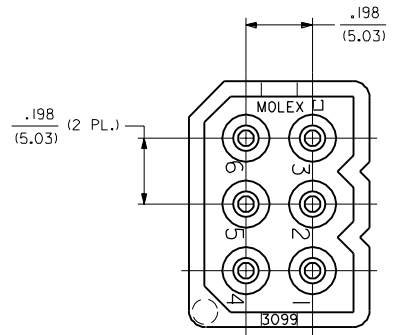
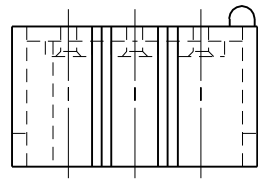
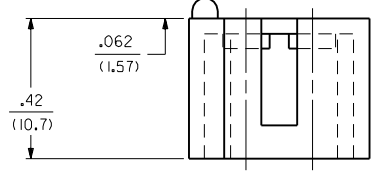
PART NO.	ENG. NO.	POLARIZING PEG OPTION
50-29-1061	3099-6A1	WITH
NOT TOOLED	3099-6B1	WITHOUT

NOTES:

- THIS HOUSING FOR USE WITH STANDARD .093/(2.36) SERIES RECEPTACLES.
- MATERIAL:
I- UNFILLED POLYESTER, 94V-0, COLOR-BLACK
- ONLY REQUIRED WHEN USING PARTS WITH OPTIONAL POLARIZING PEG.
- THIS HOUSING ACCEPTS 1840 SERIES PINS AND 43080 SERIES SOCKET P. C. TERMINALS.
- PARTS TO BE MOUNTED ON SUPPORTED EDGE OF P.C. BOARD.



OPTIONAL POLARIZING PEG SPHER. RAD. OR CHAMFER.



RECOMMENDED P.C. BOARD HOLE PATTERN

REV.	DESCRIPTION
H	REVISED UCR 1998-0051 WANG 98-02-16
G	CHG. COLOR TO BLK ECN #14 0193 2-24-94 RW
F	MAT'L WAS GLASS FIL'D. ECR U3 1669 GC 11/10/93
E	DEL MAT'L OPT. 2 ECR U2-1469 AFG 32-10-09 RW
D	REVISE V-0 MAT'L. ECR U2 0079 GC 11/17/92 RW
C	REV PER DETAIL ECR # U90875 KBW 08-30-89 RW
B	REVISED PER ECR U90347 GEP 5-25-89 RW
A	REL. WITH EDP'S ECR U8 2300 GEP 1-25-89 RW

DIMENSIONS SHOWN METRIC (INCH)		UNLESS OTHERWISE SPECIFIED TOLERANCES: ANGULAR ± .04°		REVISE ONLY ON CAD SYSTEM	
INCH		METRIC		TITLE	
3 PLACE	± .010	---	± 0.25	6 CKT. HOUSING, ENCLOSED HEADER, .198/(5.03) CENTERS	
2 PLACE	± .014	---	± 0.25	MOLEX INCORPORATED	
1 PLACE	---	---	± 0.35	SHEET NO. 1 OF 1 DATE 1/25/89	
DRAFT WHERE APPLICABLE MUST REMAIN WITHIN DIMENSIONS				PART NO. SD-3099-6	
DRAWN BY: CEP		CHKD. BY: RW		SEE CHART	
APP'D. BY: RAS		SCALE: 4 : 1		FILE NAME: S30996X1.DWG	
THIS DRAWING CONTAINS INFORMATION THAT IS PROPRIETARY TO MOLEX INC. AND SHOULD NOT BE USED WITHOUT WRITTEN PERMISSION.				DIV. CP	