

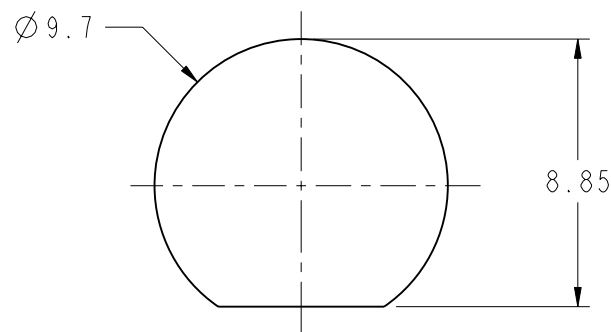
NOTES:

1. MATERIALS AND FINISHES:
 BODY - BRASS, NICKEL PLATING
 CONTACT - BRASS, GOLD PLATING
 INSULATOR - PTFE & DELRIN, NATURAL
2. ELECTRICAL:
 A. IMPEDANCE: 50 OHM
 B. FREQUENCY RANGE: DC - 4 GHz
 C. DIELECTRIC WITHSTANDING VOLTAGE: 1500 VRMS, MIN.
3. MECHANICAL:
 A. DURABILITY: 500 CYCLES MIN.
 B. TEMPERATURE RANGE: -40°C TO +85°C

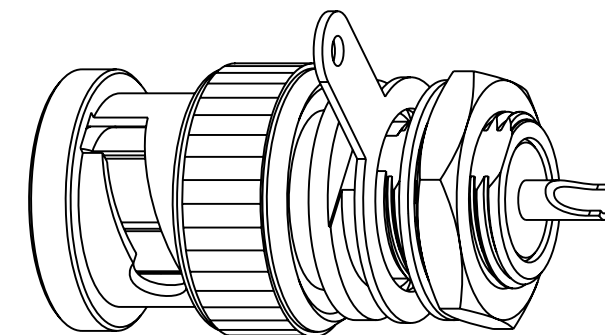
THIRD ANGLE PROJ.

REVISIONS

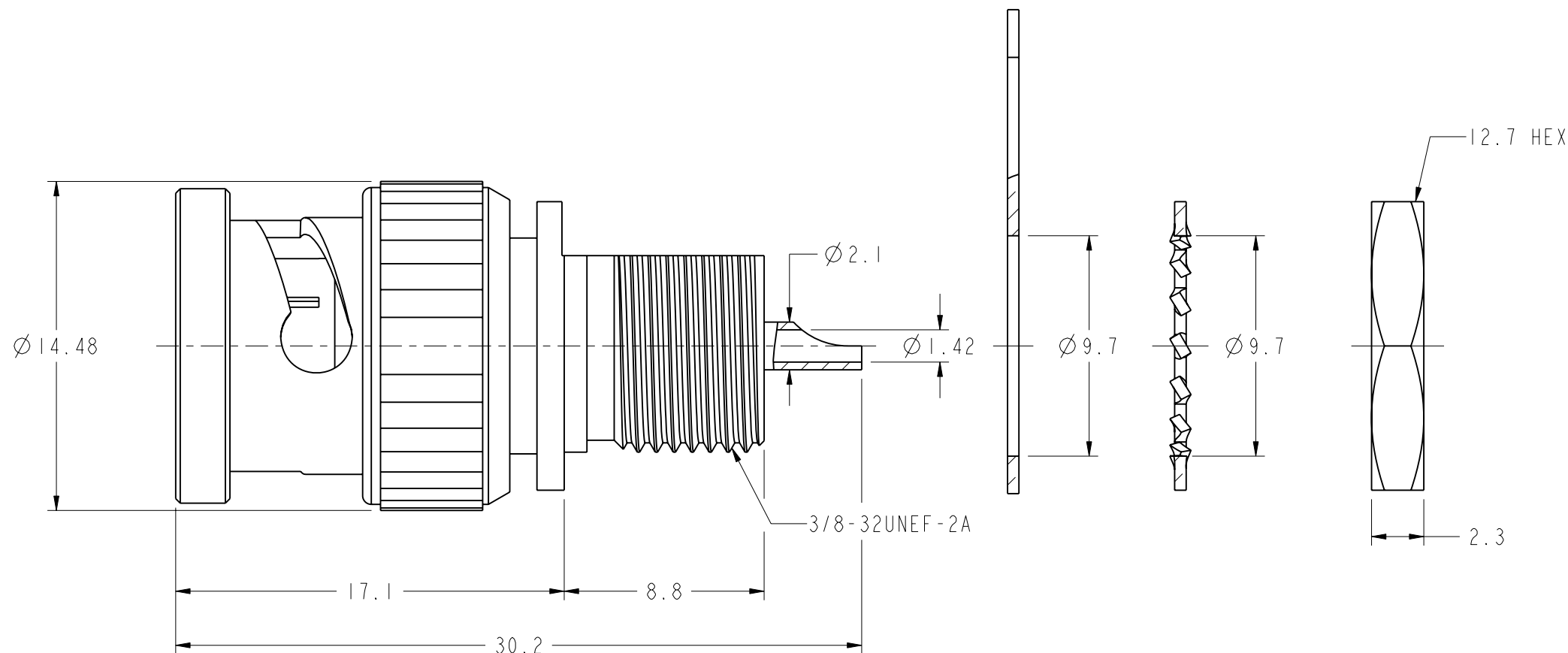
REV	DESCRIPTION	DATE	ECO	APPR
A	RELEASE TO MFG.	29-Apr-08		RL
C	ADDED STAKING PROCESS; SYNC AND REDRAWN IN PROE	25-Jan-18	06682	KEN



RECOMMENDED MOUNTING HOLE



SCALE 2.500



CUSTOMER OUTLINE DRAWING

ALL OTHER SHEETS ARE FOR INTERNAL USE ONLY

UNLESS OTHERWISE SPECIFIED, DIMENSIONS ARE IN METRIC AND TOLERANCES ARE:
 <0.5mm ±0.05mm 0.5 - 6mm ±0.1mm 6 - 30mm ±0.2mm 30 - 120mm ±0.3mm ANGLES ±1°

NOTICE - These drawings, specifications, or other data (1) are, and remain the property of Amphenol corp. (2) must be returned upon request; and (3) are confidential and not to be disclosed to any person other than those to whom they are given by Amphenol Corp. the furnishing of these drawings, specifications, or other data by Amphenol Corp., or to any other person to anyone for any purpose is not to be regarded by implication or otherwise in any manner licensing, granting rights to permitting such holder or any other person to manufacture, use or sell any product, process or design, patented or otherwise, that may in any way be related to or disclosed by said drawings, specifications, or other data.

MATERIAL	-
REFERENCE AND CONFIGURATION LEVEL:	
FINISH	

DRAWN	STAR	DATE	30-Jan-18
ENGINEER	S. HSIEH	DATE	29-Apr-08
APPROVED	S. HSIEH	DATE	30-Jan-18
CAD FILE			

TITLE		BNC BULKHEAD RECEPT. PLUG	
SCALE:	4.0:1.0	SHEET	2 OF 2
DWG SIZE	B	REV	C

Amphenol RF	
www.amphenolrf.com	
DRAWING NO.	B1351Q1-ND3G-50
ITEM NO.	011351AAB0IND5F
PART NO.	112420