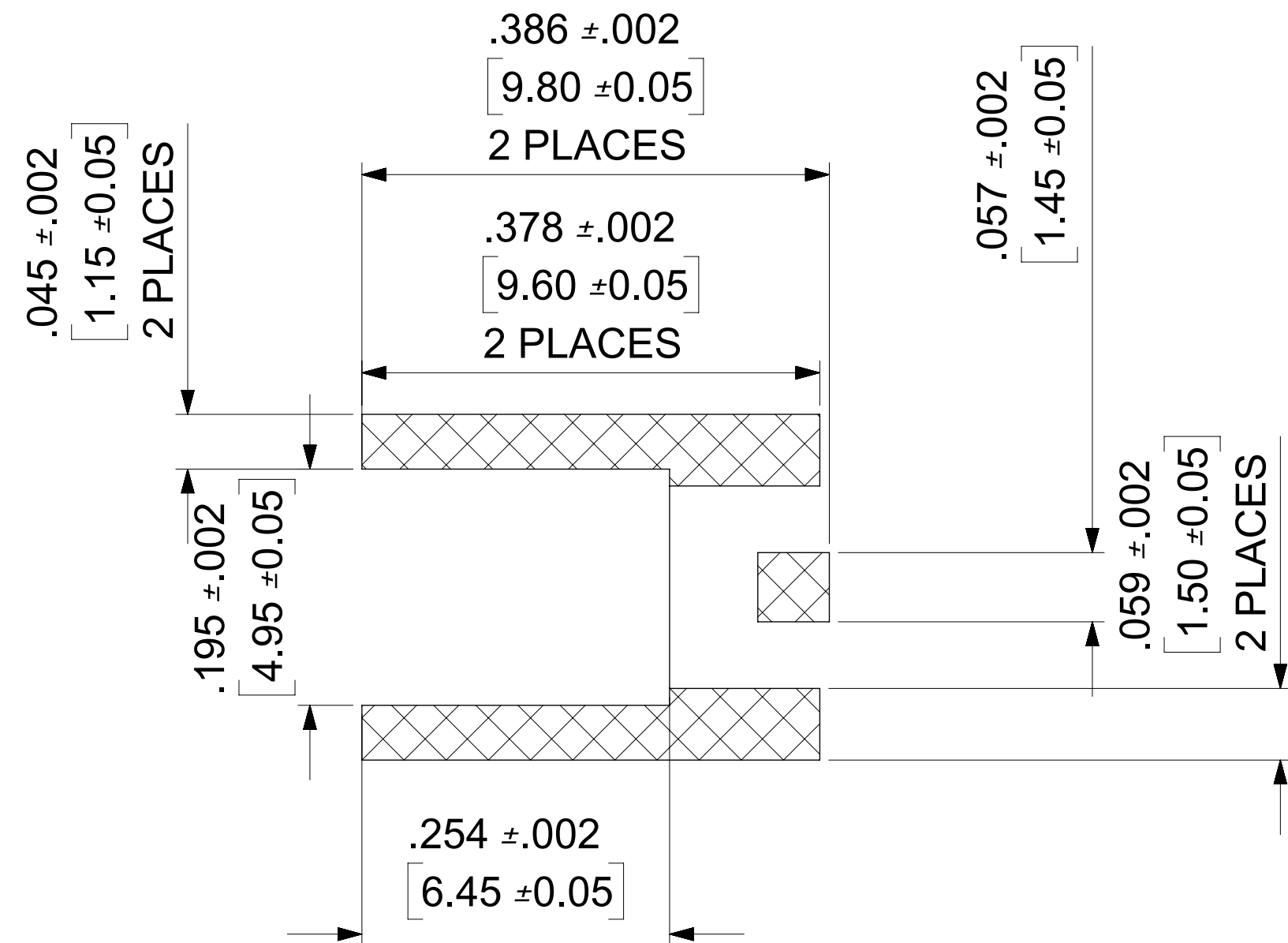
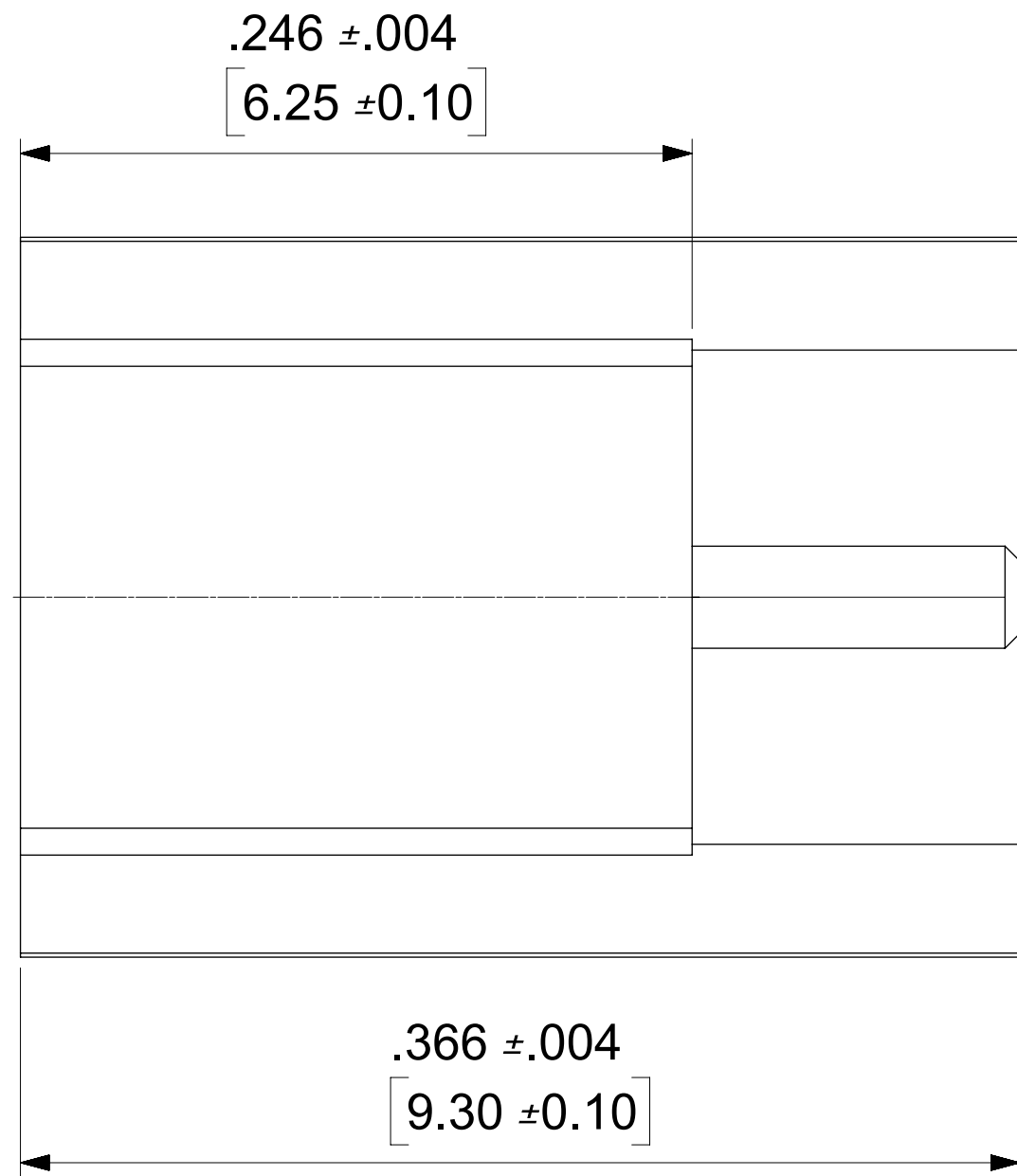
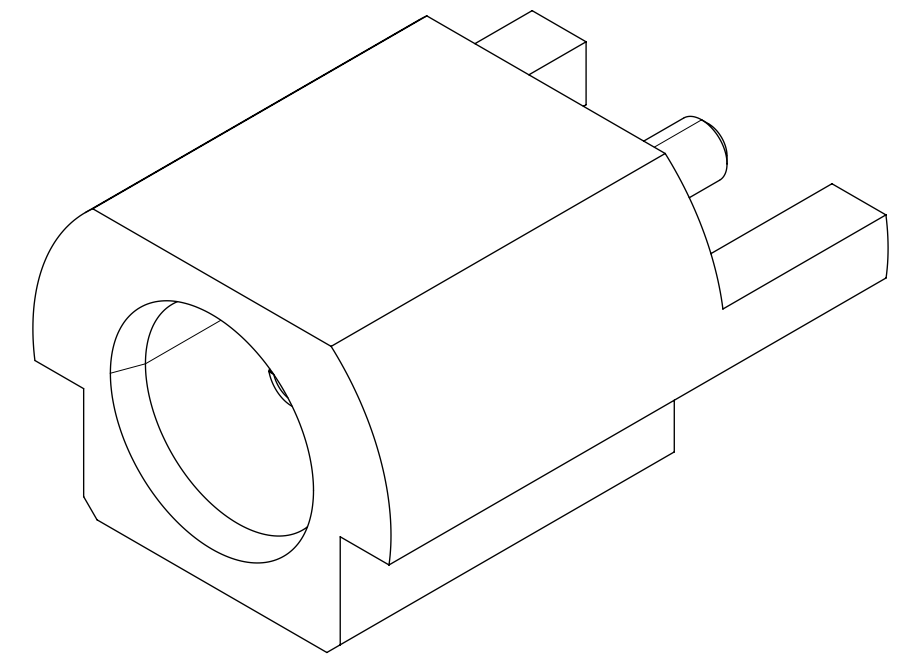
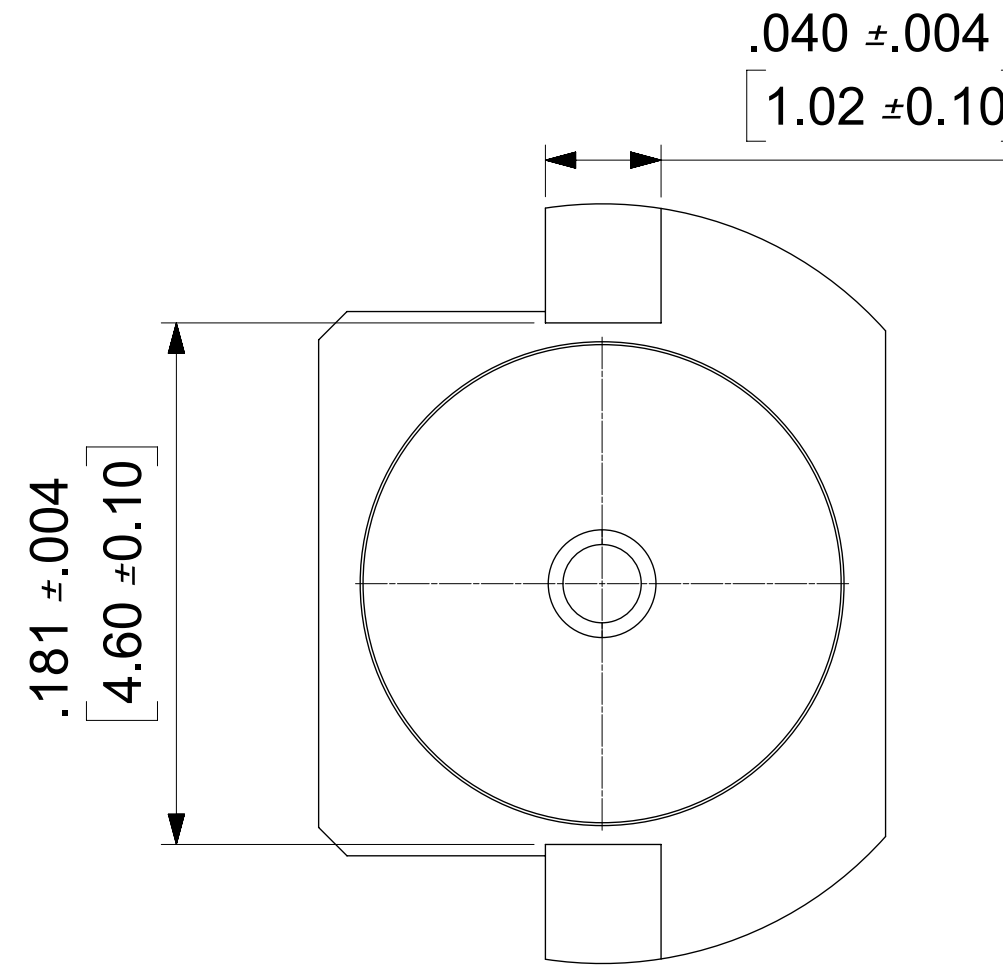
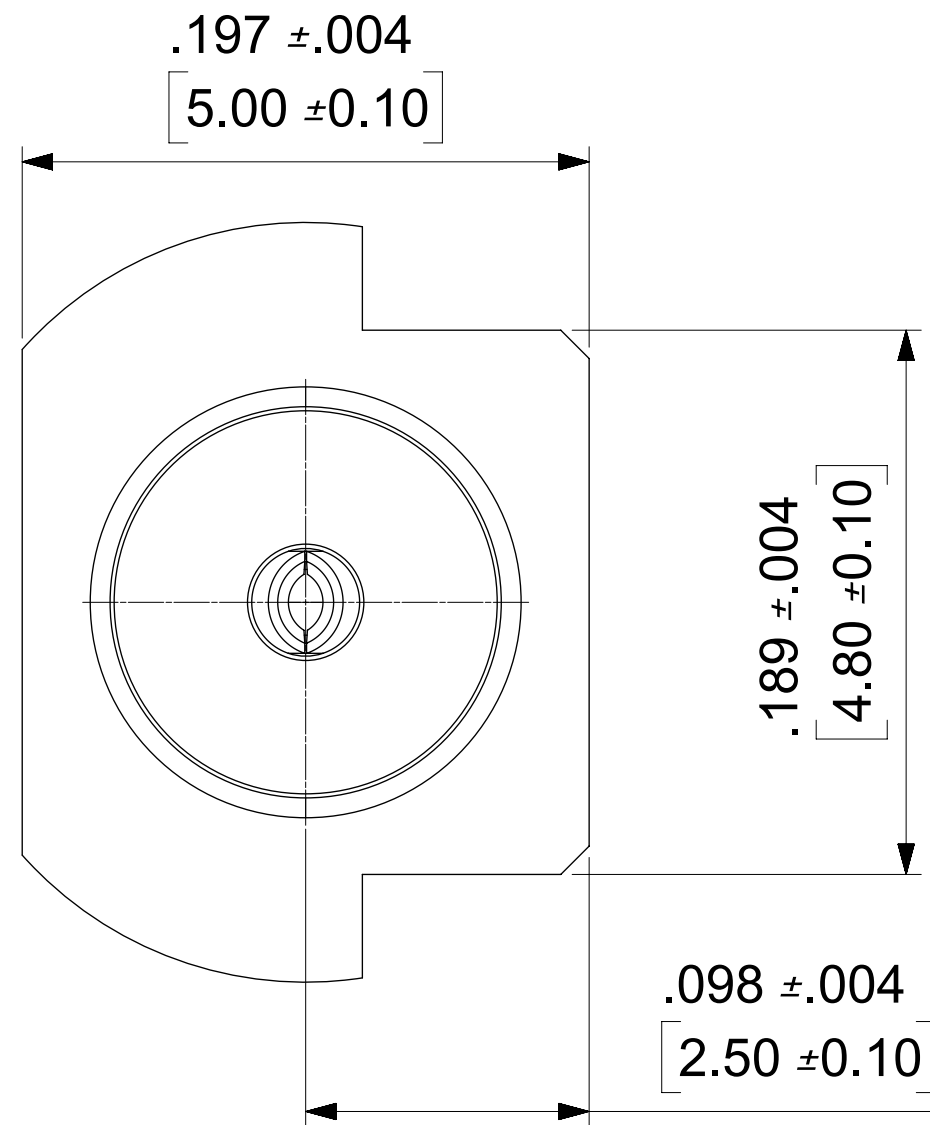


MATERIALS AND FINISHES:

BODY BRASS
PLATED GOLD

CONTACT BERYLIUM COPPER
PLATED GOLD

INSULATOR TEFLON

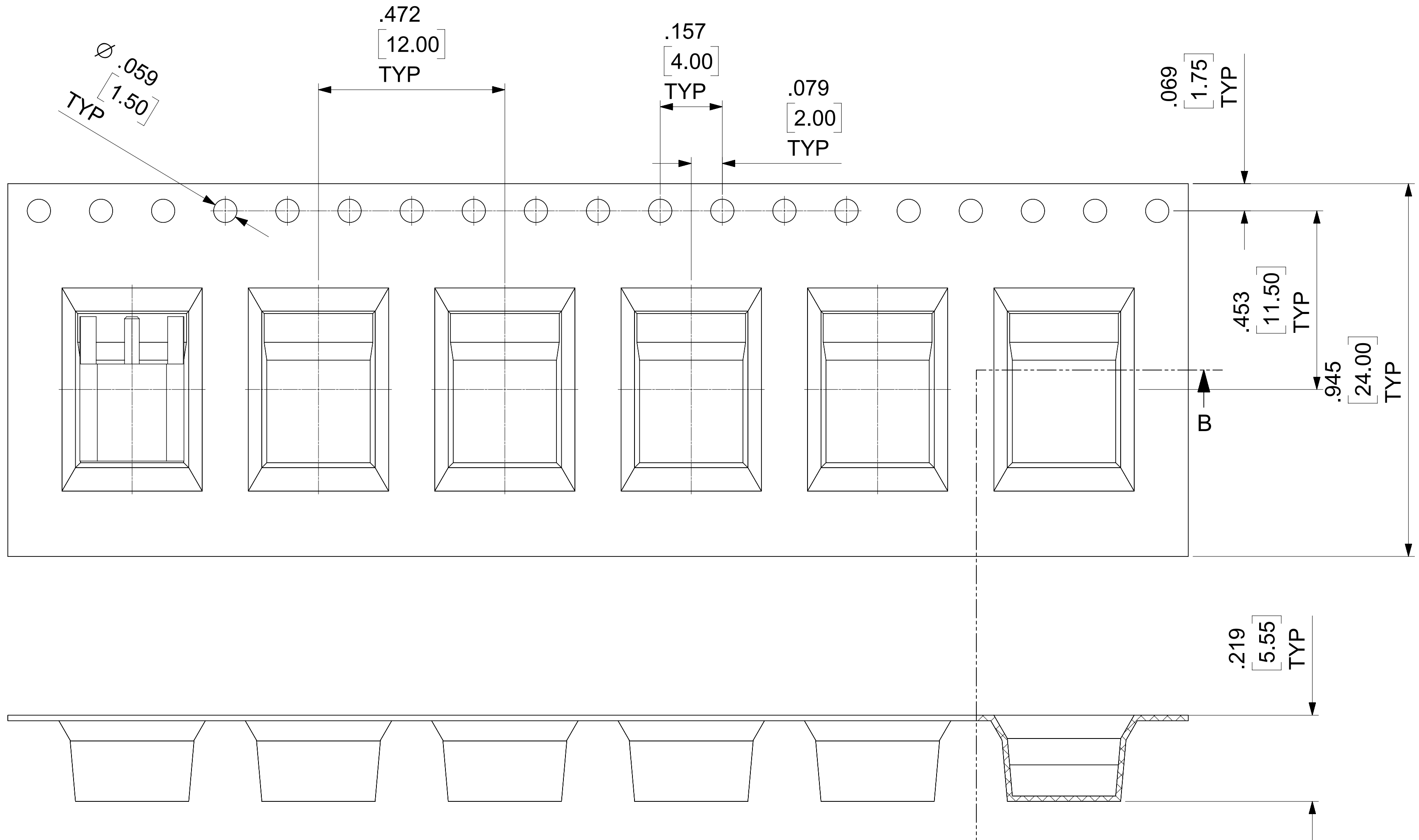


PS-73598-0300	PRODUCT SPECIFICATION
ES-73599-0000-0180	INTERFACE
SEPCIFICATION	DESCRIPTION

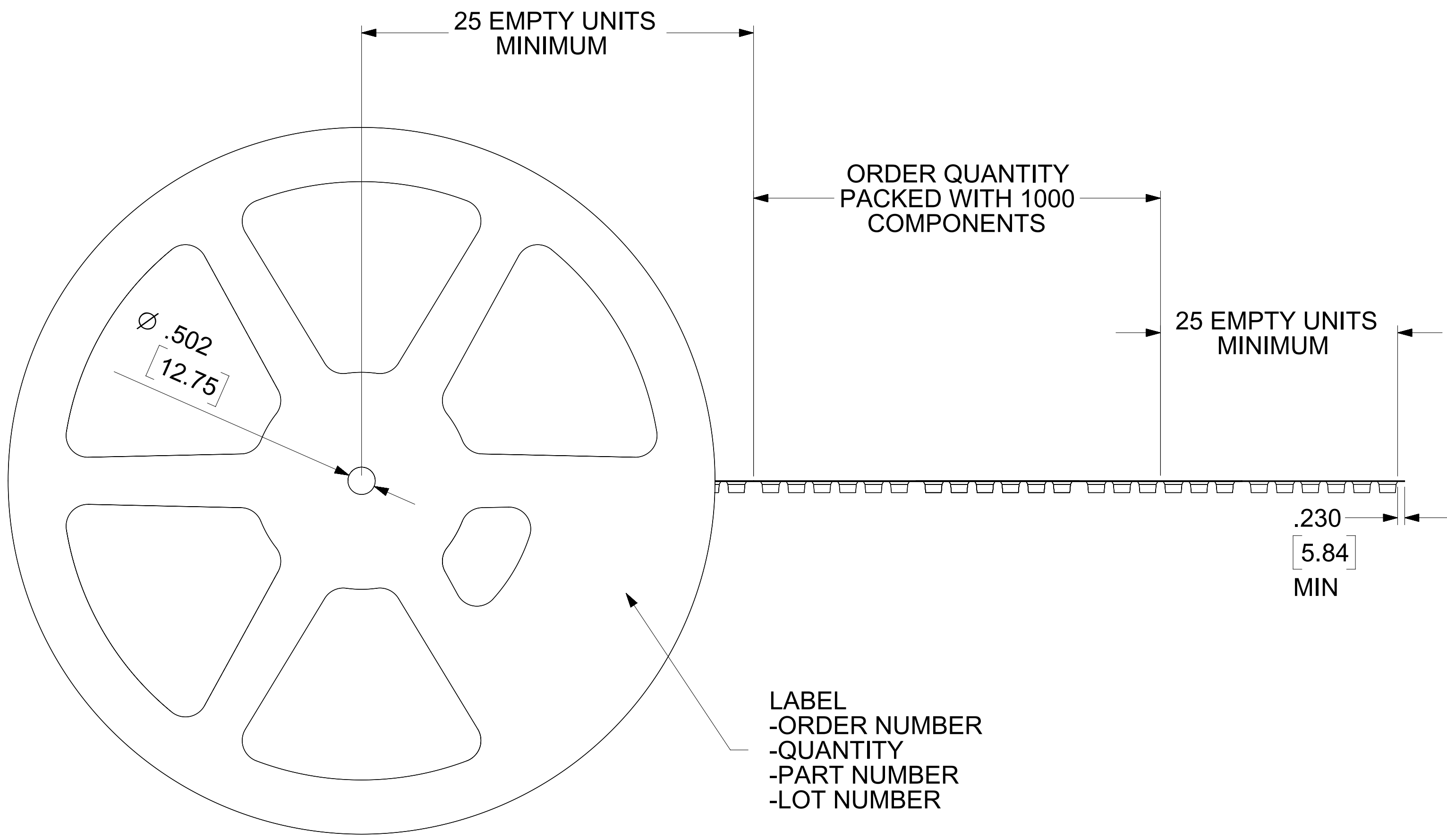
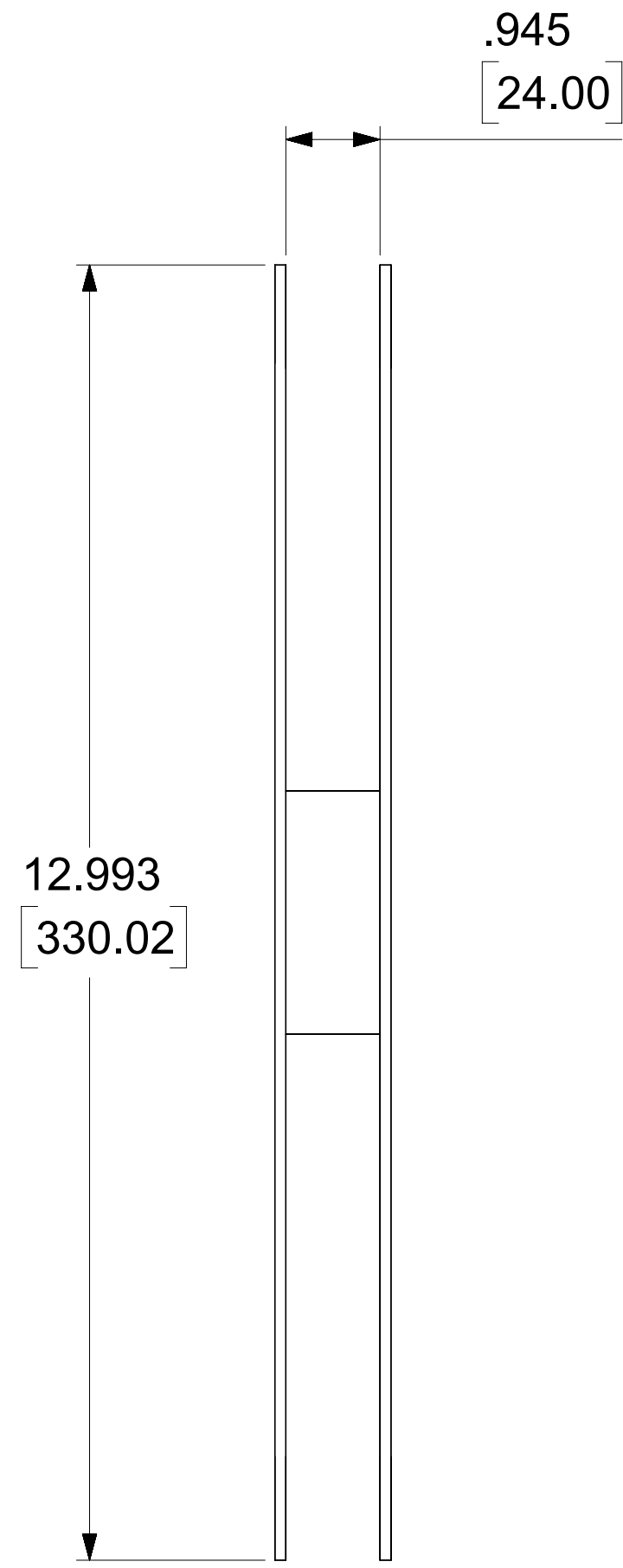
73366-0381	PKG : 1000 PCS BY T&R
73366-0380	PKG : 80 PCS BY TRAY
PART NO	DESCRIPTION

A2	ADDING TAPE AND REEL PACKAGE -0381
REVERSION	DESCRIPTION

QUALITY SYMBOLS ▽ = 0 ▽ = 0 ▽ = 0 ▽ = 0 ▽ = 0 ▽ = 0 ▽ = 0 ▽ = 0 ▽ = 0 ▽ = 0	THIS DRAWING CONTAINS INFORMATION THAT IS PROPRIETARY TO MOLEX ELECTRONIC TECHNOLOGIES, LLC AND SHOULD NOT BE USED WITHOUT WRITTEN PERMISSION		DIMENSION UNITS MM		SCALE ELIN				
	GENERAL TOLERANCES (UNLESS SPECIFIED) ANGULAR TOL ± °		DRWN BY ELIN		DATE 2013/12/06				
EC NO: 110889 DRWN: SH001 REV: A2		2016/10/03 2016/12/13 CHKD: YCHENG APPR: YCHENG		4 PLACES ± 3 PLACES ± 2 PLACES ± 1 PLACE ± 0 PLACES ±		CHKD BY DATE		PRODUCT CUSTOMER DRAWING	
DRAFT WHERE APPLICABLE MUST REMAIN WITHIN DIMENSIONS		DRAWING SIZE C		THIRD ANGLE PROJECTION		SERIES 73366		MATERIAL NUMBER 733660380	
						CUSTOMER GENERAL MARKET		DOCUMENT NUMBER SD-73366-038	
						DOC TYPE PSD		DOC PART 000	
						SHEET NUMBER 1 OF 4			

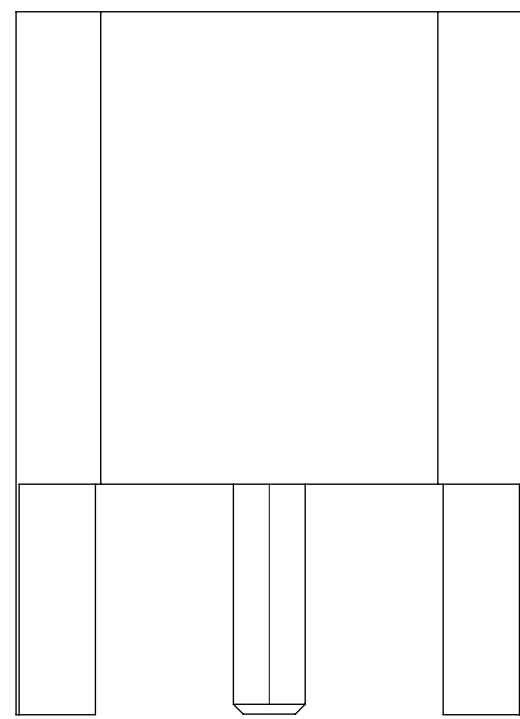


QUALITY SYMBOLS		THIS DRAWING CONTAINS INFORMATION THAT IS PROPRIETARY TO MOLEX ELECTRONIC TECHNOLOGIES, LLC AND SHOULD NOT BE USED WITHOUT WRITTEN PERMISSION									
▽ = 0	▽ = 0	EC NO: 110889 DRWN: SH001 CHKD: REV / APPR: YCHENG	GENERAL TOLERANCES (UNLESS SPECIFIED)			DIMENSION UNITS	SCALE				
▽ = 0	▽ = 0		ANGULAR TOL ± °			MM	1:1				
▽ = 0	▽ = 0		4 PLACES ±			DRWN BY	DATE	MCX, 75 OHM EDGE MOUNT PCB TYPE MCX-J/PCB			
▽ = 0	▽ = 0		3 PLACES ±			ELIN	2013/12/06				
▽ = 0	▽ = 0		2 PLACES ±			CHKD BY	DATE	PRODUCT CUSTOMER DRAWING			
▽ = 0	▽ = 0		1 PLACE ±			APPR BY	DATE				
▽ = 0	▽ = 0	0 PLACES ±			DRAWING SIZE		THIRD ANGLE PROJECTION	SERIES	MATERIAL NUMBER	CUSTOMER	
□ = 0	■ = 0	▽ = 0	DRAFT WHERE APPLICABLE MUST REMAIN WITHIN DIMENSIONS			C		73366		GENERAL MARKET	
		A2						DOCUMENT NUMBER	DOC TYPE	DOC PART	SHEET NUMBER
								SD-73366-038	PSD	000	2 OF 4

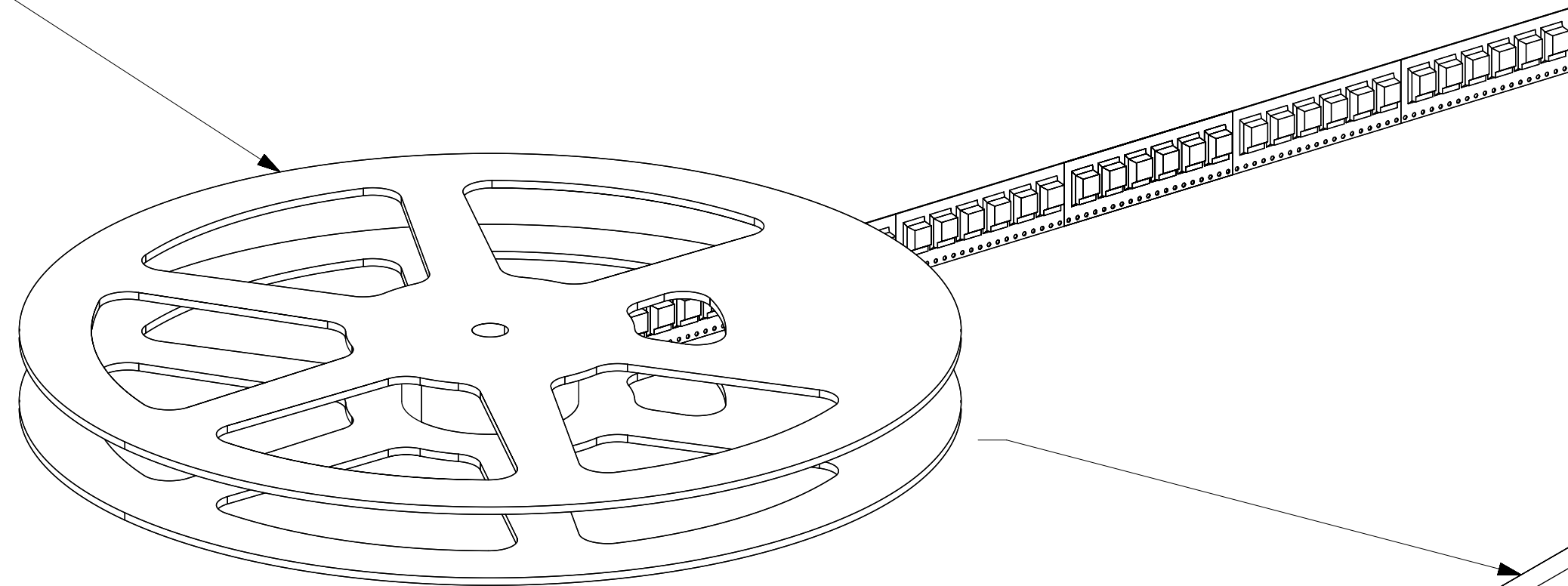


Ø .502
12.75

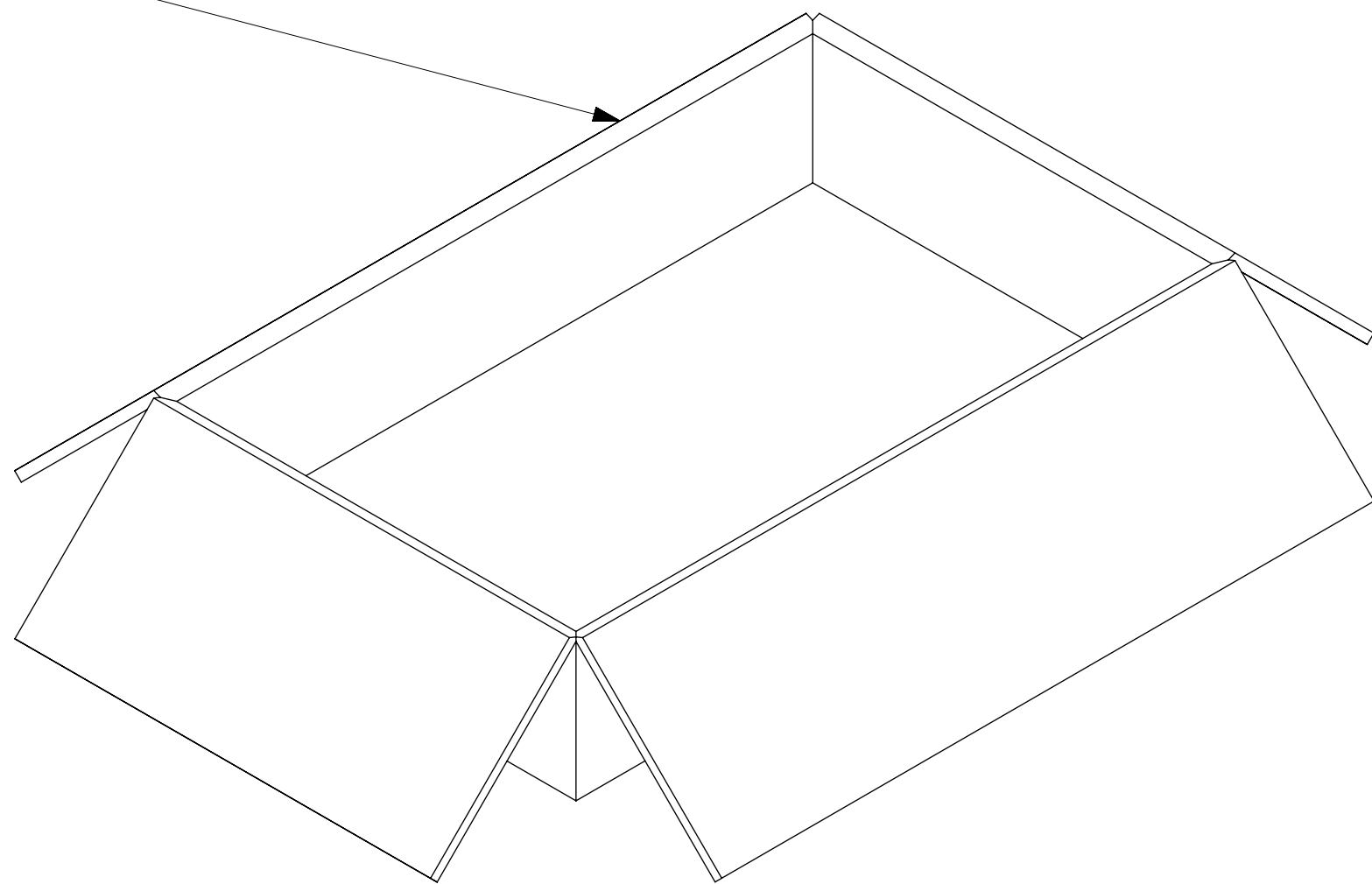
QUALITY SYMBOLS		THIS DRAWING CONTAINS INFORMATION THAT IS PROPRIETARY TO MOLEX ELECTRONIC TECHNOLOGIES, LLC AND SHOULD NOT BE USED WITHOUT WRITTEN PERMISSION									
▽ = 0	2016/10/03	GENERAL TOLERANCES (UNLESS SPECIFIED)		DIMENSION UNITS		SCALE					
▽ = 0	2016/12/13	ANGULAR TOL ± °		MM		1:5					
▽ = 0	EC NO: 110889 DRWN: SH001 CHKD: APPR: YCHENG	4 PLACES ±	ELIN		DATE		MCX, 75 OHM EDGE MOUNT PCB TYPE MCX-J/PCB				
▼ = 0		3 PLACES ±	CHKD BY		DATE						
▽ = 0		2 PLACES ±	APPR BY		DATE						
⊠ = 0		1 PLACE ±	DRAWING SIZE		THIRD ANGLE PROJECTION						
■ = 0		0 PLACES ±	C								
▽ = 0	A2	DRAFT WHERE APPLICABLE MUST REMAIN WITHIN DIMENSIONS		73366		SD-73366-038		PSD		PRODUCT CUSTOMER DRAWING GENERAL MARKET 3 OF 4	



73366-0380



1000 PCS IN T & R



4000 PCS IN BOX

PN 733660381

QUALITY SYMBOLS 	THIS DRAWING CONTAINS INFORMATION THAT IS PROPRIETARY TO MOLEX ELECTRONIC TECHNOLOGIES, LLC AND SHOULD NOT BE USED WITHOUT WRITTEN PERMISSION											
	EC NO: 110889 DRWN: SH001 CHKD: REV / APPR: YCHENG	2016/10/03	2016/12/13	GENERAL TOLERANCES (UNLESS SPECIFIED)		DIMENSION UNITS	SCALE					
				ANGULAR TOL ± °		MM	1:1					
		4 PLACES ±	ELIN		DATE	2013/12/06						
		3 PLACES ±	CHK'D BY	DATE								
		2 PLACES ±	APPR BY	DATE								
	1 PLACE ±	DRAWING SIZE		THIRD ANGLE PROJECTION		73366		MATERIAL NUMBER		CUSTOMER		
	0 PLACES ±	C				GENERAL MARKET		DOCUMENT NUMBER		SHEET NUMBER		
	DRAFT WHERE APPLICABLE MUST REMAIN WITHIN DIMENSIONS						SD-73366-038		PSD		4 OF 4	