



ANATECH ELECTRONICS INC
RF & Microwave Filters & Products

14.56 GHz Cavity Bandpass Filter

Part Number: AB14560B676



Electrical specifications

Center Frequency: 14.56 GHz
3 dB Bandwidth: 14.5 - 14.620 GHz
Input / Output Impedance: 50 Ohms
Insertion Loss @ fo: <4dB
Passband Return Loss: >14dB
Rejection: >50dB @0-14.4GHz
Rejection 2: >50dB @ 14.715-20 GHz
Power Handling:

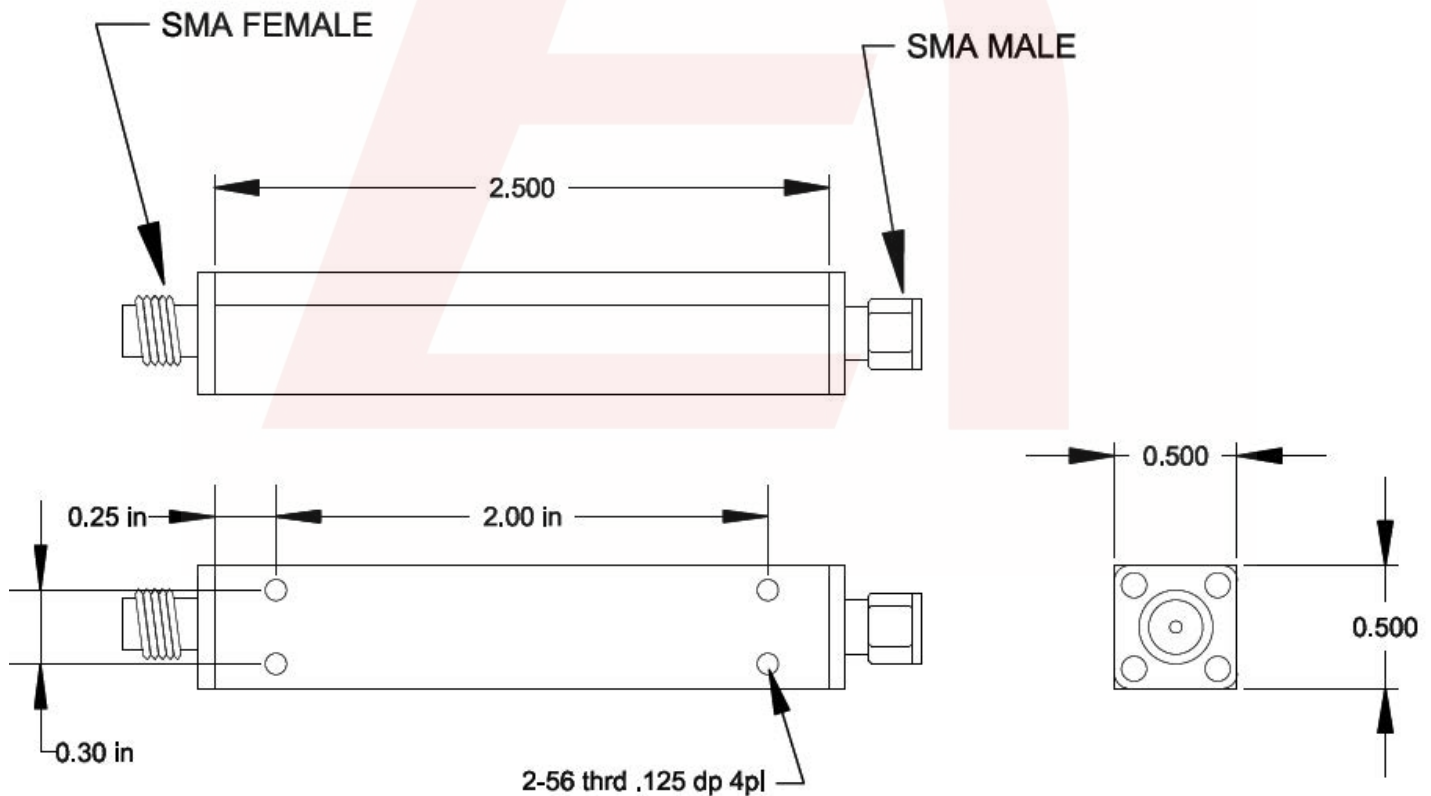
Mechanical

Mounting Method: Threaded Mounting Holes
Connector Type: SMA (M-F), Panel Receptacle, 4 hole
Dimensions: 2.5 x 0.5 x 0.5 inches

Environmental

Operating Temperature: 0 to 50 deg.C
Storage Temperature: -55 to +95 deg.C
Shock: 20 G. 11ms
Vibration: 20G. 5 to 200 Hz

Outline Drawing:



DS-B676-03152018-Rev1