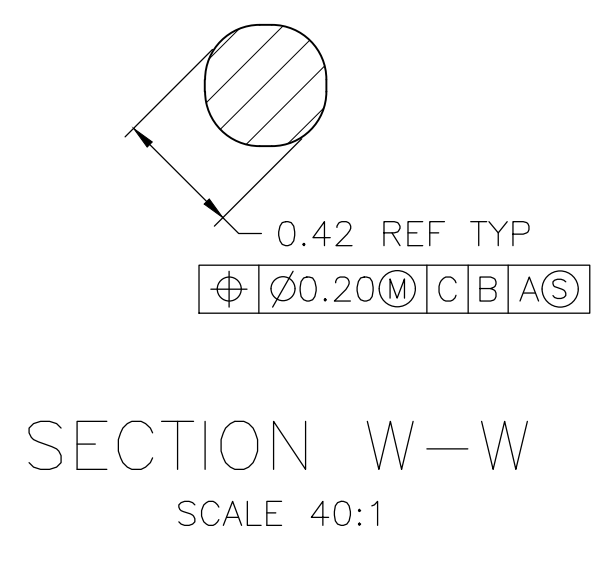
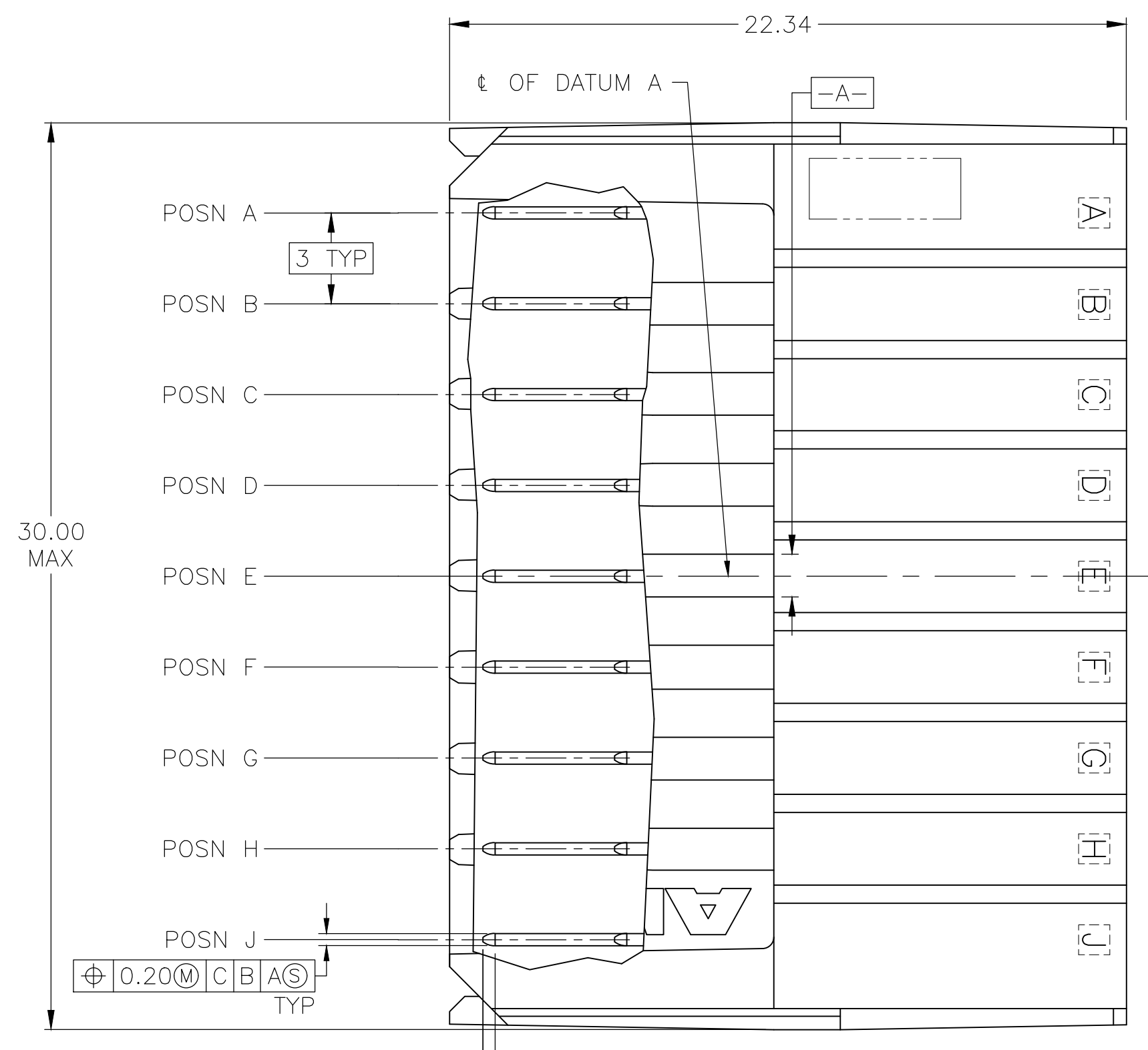
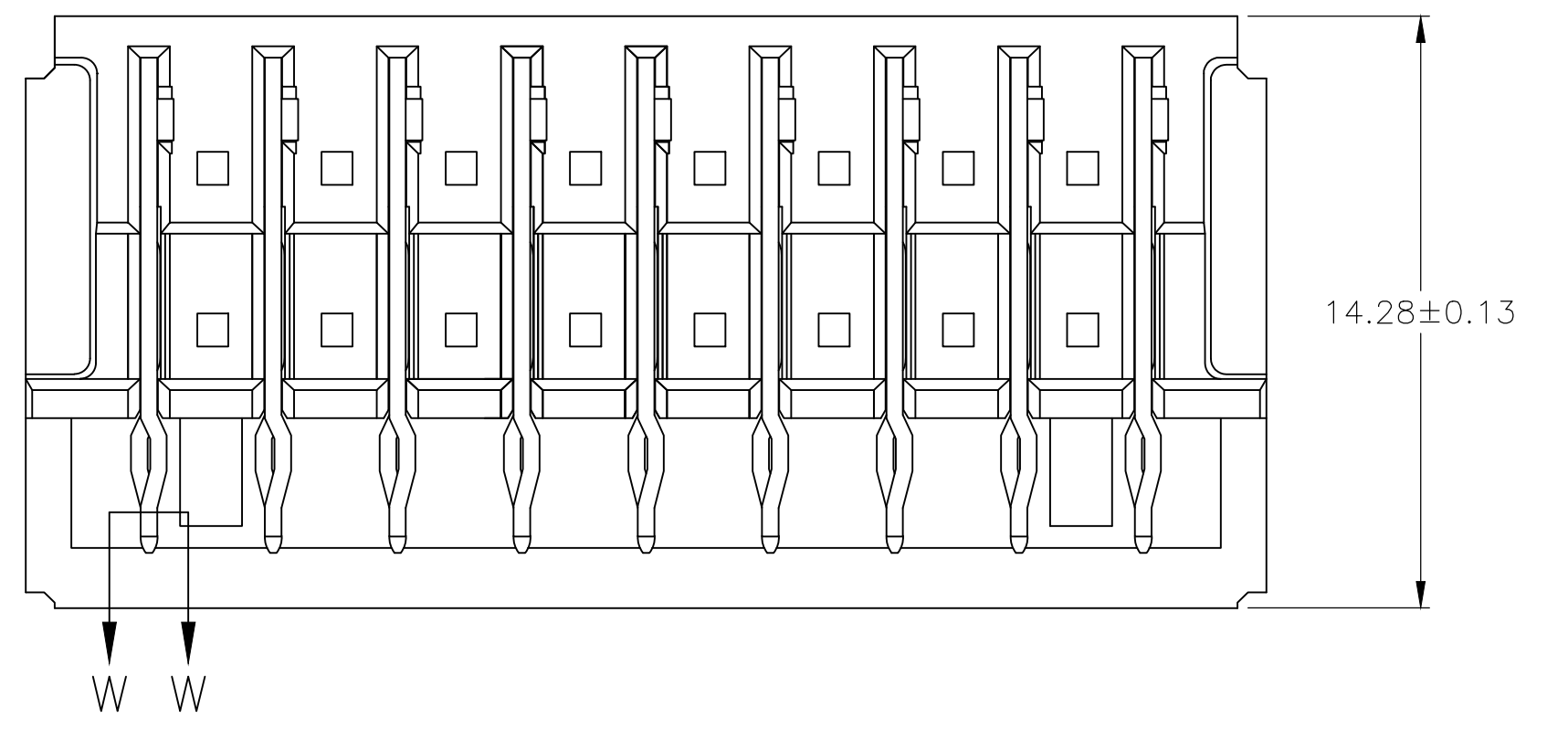
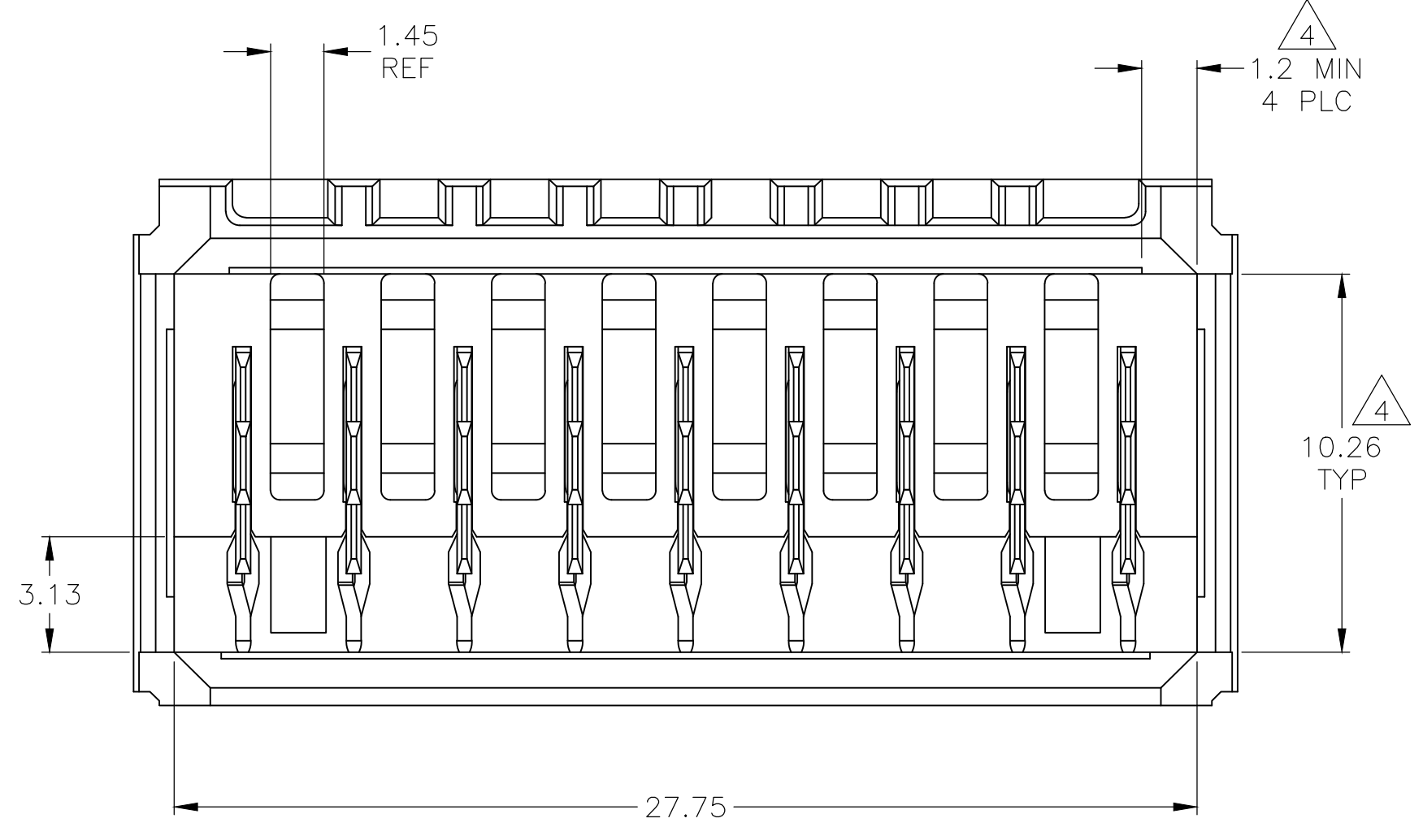


RECOMMENDED PCB HOLE LAYOUT



- 1 MATERIAL: HOUSING: POLYESTER, GRAY. UL 94V-0. CONTACT: HIGH CURRENT COPPER ALLOY.
- 2 FINISH: IN ACCORDANCE WITH PRODUCT SPECIFICATION 108-1651, GOLD PLATING OR EQUIVALENT PLATING ON PRODUCT CONTACT MATING AREA, AND MATTE TIN PLATING ON COMPLIANT PIN AREA, ALL OVER MATTE NICKEL UNDERPLATED. DETAIL PLEASE REFER TO PRODUCT SPECIFICATION 108-1651.
- 3 FINISH: CONTACT LUBRICATION WITH BELLCORE APPROVED LUBRICANT. TECHNICAL REFERENCE: GR-1217-CORE, ISSUE 1, NOVEMBER 1995.
- 4 THE 10.26 ± 0.13 DIMENSION APPLIES IN THIS AREA.
- 5 REFERENCE APPLICATION SPEC 114-1103 FOR RECOMMENDED PLATED THRU HOLE DIAMETER AND PLATING THICKNESSES.
6. CURRENT RATING 16A/CONTACT PER PRODUCT SPEC 108-1651.



120959-1
PART NUMBER

| | | | | |
|--|------------|---------------------------|---|--------------|
| THIS DRAWING IS A CONTROLLED DOCUMENT. | | DIN B CARBO 180CT04 | STE TE Connectivity | |
| DIMENSIONS: mm | | CHK R PATTERSON 180CT04 | NAME | |
| TOLERANCES UNLESS OTHERWISE SPECIFIED: | | APP'D R PATTERSON 180CT04 | ASSEMBLY, RIGHT ANGLE HEADER, W/ RETENTION PEGS, UNIVERSAL POWER MODULE | |
| 0 PLC ± - | 1 PLC ± - | PRODUCT SPEC | 108-1651 | |
| 2 PLC ± 0.13 | 3 PLC ± - | APPLICATION SPEC | 114-1103 | |
| 4 PLC ± - | ANGLES ± - | SIZE | A1 | 00779 |
| MATERIAL 1 | FINISH 2 3 | WEIGHT | C=120959 | |
| | | CUSTOMER DRAWING | SCALE 6:1 | SHEET 1 OF 1 |
| | | | | REV D2 |