

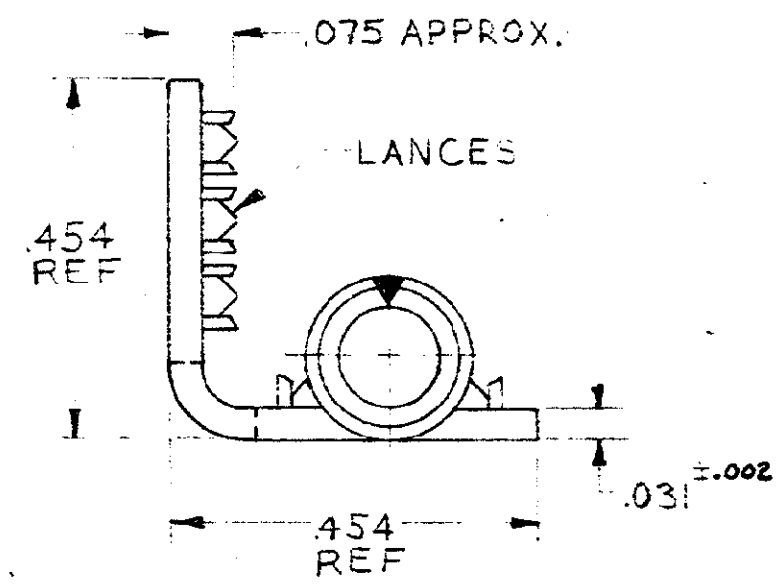
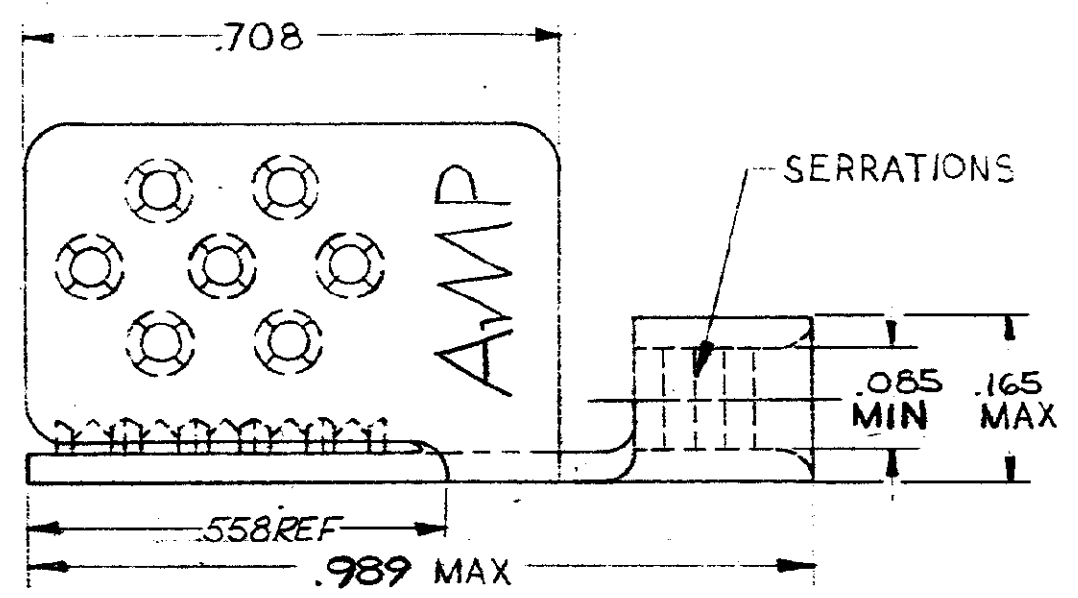
5

4

2

1

ZONE		LTR		REVISIONS	DATE	APPROVED
P		REVISED PER ECO-11-005294			13APR11	HMR



NOTE:
1. NICKEL PL (QQ-N-290).0002 MIN EXT THK

UNLESS OTHERWISE SPECIFIED DIM. ARE IN INCHES. TOLERANCES ON: DECIMALS ±.008 ANGLES ± 5°		CONTRACT NO. <u>4</u>		STE TE Connectivity	
MATERIAL COPPER (QQ-C-576)		DR <u>Am Enomura</u> 2-17-69	CHK <u>R. Wolfe</u> 2-18-69	NAME WIRE TERMINAL TERMI-FOIL SOLISTRAND WIRE SIZE: 16-14	
HEAT TREAT ANNEALED		APPD <u>L. Wabel</u> 2-20-69	DSGN APPD	SIZE B	CODE IDENT NO. 00779
LOC G	PRINT DIST 14	FINISH NOTE 1	OTHER APPD	NUMBER 52195	SCALE NTS
			WT CALC ACTUAL		SHEET 1 OF 1

5

4

2

1