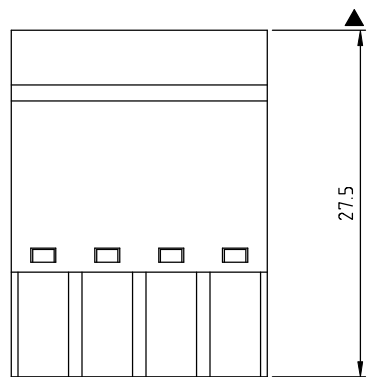
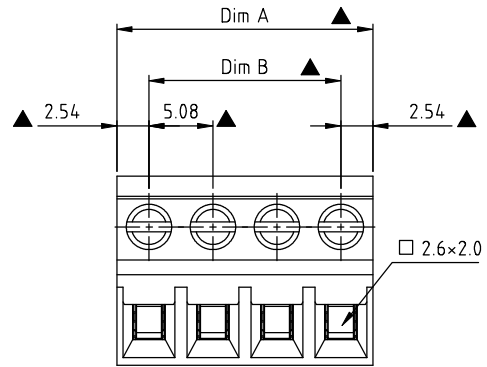


RoHS Compliant



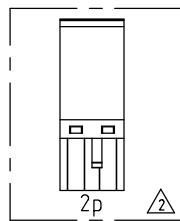
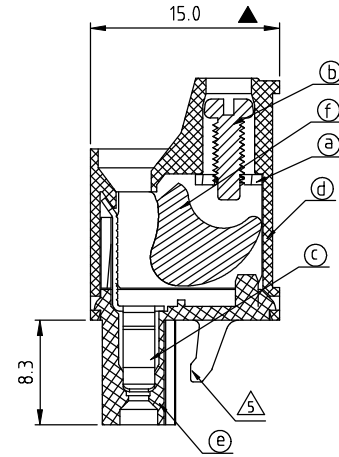
VM xx 55 x 0 xxxx G

Solid Block
 02 2 CONTACTS
 03 3 CONTACTS

 24 24 CONTACTS

Color
 0 Black (RAL9005)
 2 Red (RAL3001/D)
 3 Orange(RAL2011/P)
 4 Yellow(RAL1018/A)
 5 Green(RAL6018/T)
 6 Blue (RAL5015/A)
 8 Grey(RAL7035/D)
 9 White(RAL1102)
 C Green(RAL6018/U)

G RoHS compliant (lead<4%)
 In copper Alloy
 0000: Standard
 000A: "ANYTEK" Mark
 Any special item by customer request.
 please contact sales department.



N = Number of poles
 Dim A=Nx5.08
 Dim B=(N-1)x5.08

Poles	Dim A	Dim B
2-6p	±0.20	±0.20
7-12p	±0.25	±0.25
13-18p	±0.30	±0.30
19-24p	±0.40	±0.40

REV	SIGN	DATE	DESCRIPTION	APPROVER
D		02/07'06	Part No. changed	Tony
E		2010.03.23	Add the 2p mark	Jacke
F		2012.06.05	Update drawing	Chen Bo
G		05/21-19	Added VDE logo	Chen Bo
		05/21-19	Update drawing	Chen Bo

THIS IS CAD DRAWING, DO NOT REVISE MANUALLY!!!

Material

- Item a Clamp: Steel zinc plated.
- Item b Terminal screw: Steel Zinc plating "-" slot type
- Item c Female contact: PhBz, Bright Tin plated over Nickel plated
- Item d Terminal (Up body): Thermoplastic (UL94V-0)
- Item e Terminal (Down body): Thermoplastic (UL94V-0)
- Item f Clampage: Steel Zinc plated

Electrical cULus/TUV/VDE

- Voltage rating: 300VAC/300VAC/300VAC
- Current rating: 20A/20A/20A
- Wire range: 0.34-2.5mm²/0.34-2.5mm²
- Solid wire(AWG): 12-22
- Stranded wire(AWG): 12-22
- Torque: 3.5Lb-In / 0.4Nm/ 0.4Nm
- Screw: M2.5
- Wire strip length: 8-9mm
- Withstanding Voltage: 1.6KV/2.5KV/2.5KV
- Operating temperature: -40°C to +115°C
- Safety approval:
- Critical dimension:

Amphenol ANYTEK

CUSTOMER COPY

ALL RIGHTS RESERVED. REPRODUCTION OR ISSUE TO THIRD PARTIES IN ANY FORM WHATSOEVER IS NOT PERMITTED WITHOUT WRITTEN AUTHORITY FROM THE PROPRIETOR. PROPERTY OF ANYTEK TECHNOLOGY CO., LTD

TITLE		VM 5.08mm W/O Flange Series		
PART NO.	VMxx55x0xxxxG	DWG NO.	8VM0101	
APPROVED	CHECKED	DESIGNED	DRAWN	CUST NO.
		Chen Bo 05/21-19	Chen Bo 05/21-19	
				Tolerance X. ±0.50 X.X ±0.30 X.XX ±0.10 X* ±1°
SHEET: 01/01		UNIT: mm		SCALE: NONE
		REV.: G		